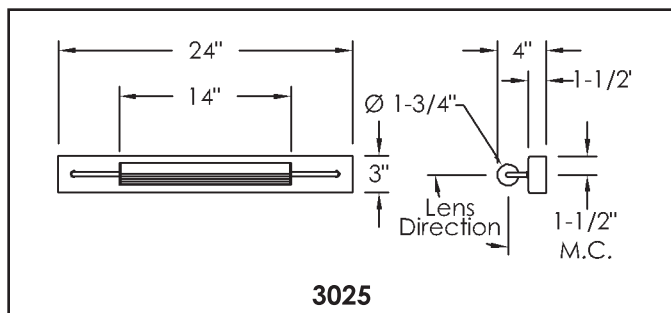




MODEL NO: 3025



LAMPING

- 2C13 13 Watt Twin Tube Compact Fluorescent
 2 Pin, GX23 Base
- FP8 8 Watt Mini Bi-Pin T-5

METAL FINISHES

- PB** Polished Brass
- PC** Polished Chrome
- SA** Satin Aluminum
- SN** Satin Nickel

NOTES

Consult Factory for Availability of Other Lengths
Requires 2" Wide Junction Box