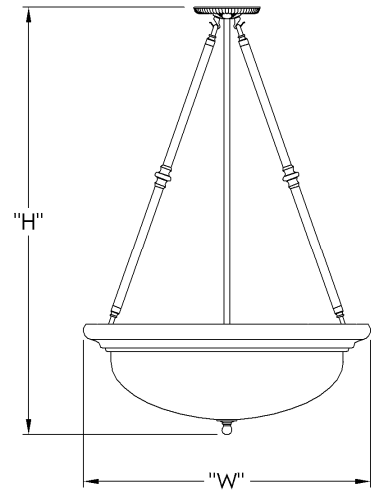




**MODEL NO: 2621 / 2622 / 2623**



	"H"	"W"
2621	21"	14"
2622	27"	18"
2623	37"	24 3/4"

**COMPLEMENTARY LIGHTING**



Sconce  
Item 3898 / 3899



Ceiling Fixture  
Item 2521 / 2522 / 2523

**STANDARDS**

Cloud Glass Diffuser  
Mounts to all Standard Electrical Junction Boxes (by others) with Hardware Provided.  
120 Volts

**METAL FINISHES**

**AS** Antique Silver  
Consult Factory for Other Finish Options

**LAMPING**

2621	<b>2C13</b>	(2) 13 Watt Twin Tube Compact Fluorescent 2 Pin, GX23 Base
	<b>2N60</b>	(2) 60 Watt T10 Incandescent
2622	<b>3C13</b>	(3) 13 Watt Twin Tube Compact Fluorescent 2 Pin, GX23 Base
	<b>2N60</b>	(2) 60 Watt T10 Incandescent
2623	<b>4C13</b>	(4) 13 Watt Twin Tube Compact Fluorescent 2 Pin, GX23 Base
	<b>3N60</b>	(3) 60 Watt T10 Incandescent