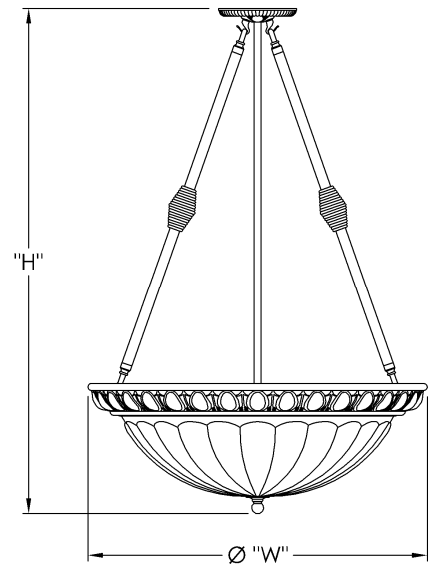




MODEL NO: 2611 / 2612 / 2613



	"H"	"W"
2611	21"	14"
2612	27"	18"
2613	37"	24 3/4"

COMPLEMENTARY LIGHTING



Sconce
Item 3892 / 3893



Ceiling Fixture
Item 2511 / 2512 / 2513

STANDARDS

Antique White Glass Diffuser
Mounts to all Standard Electrical Junction Boxes (by others) with Hardware Provided.
120 Volts

METAL FINISHES

AB Antique Brass
Consult Factory for Other Finish Options

LAMPING

2611	2C13	(2) 13 Watt Twin Tube Compact Fluorescent 2 Pin, GX23 Base
	2N60	(2) 60 Watt T10 Incandescent
2612	3C13	(3) 13 Watt Twin Tube Compact Fluorescent 2 Pin, GX23 Base
	2N60	(2) 60 Watt T10 Incandescent
2613	4C13	(4) 13 Watt Twin Tube Compact Fluorescent 2 Pin, GX23 Base
	3N60	(3) 60 Watt T10 Incandescent