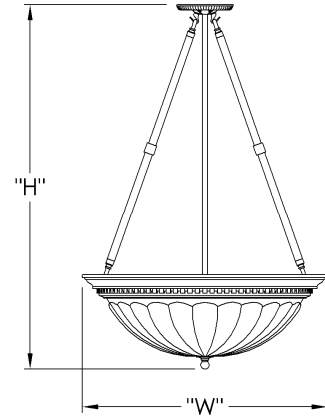




**MODEL NO: 2601 / 2602 / 2603**



	"H"	"W"
2601	21"	14"
2602	27"	18"
2603	37"	24 3/4"

**COMPLEMENTARY LIGHTING**



Sconce  
Item 3901 / 3902



Ceiling Fixture  
Item 2501 / 2502 / 2503

**STANDARDS**

Frosted Glass Diffuser  
Mounts to all Standard Electrical Junction Boxes (by others) with Hardware Provided.  
120 Volts

**METAL FINISHES**

**AW** Antique White  
Consult Factory for Other Finish Options

**LAMPING**

2601	<b>3C13</b>	(3) 13 Watt Twin Tube Compact Fluorescent 2 Pin, GX23 Base
	<b>2N60</b>	(2) 60 Watt T10 Incandescent
2602	<b>3C13</b>	(3) 13 Watt Twin Tube Compact Fluorescent 2 Pin, GX23 Base
	<b>2N60</b>	(2) 60 Watt T10 Incandescent
2603	<b>4C13</b>	(4) 13 Watt Twin Tube Compact Fluorescent 2 Pin, GX23 Base
	<b>3N60</b>	(3) 60 Watt T10 Incandescent