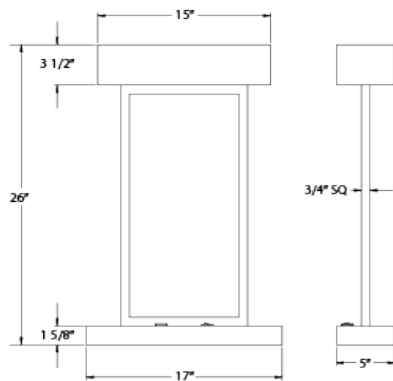


TABLE LAMPS





MODEL 4001



DIMENSIONS:

H: 26" D: 5" W: 17"

FINISH SHOWN:

BN Brushed Nickel

SHADE MATERIAL SHOWN:

BN Brushed Nickel

SHADE SIZE:

H: 3 1/2" D: 5" W: 15"


SWITCH:

On/Off Rocker Switch at Base

ADDITIONAL FEATURES:

1 Convenience Outlet

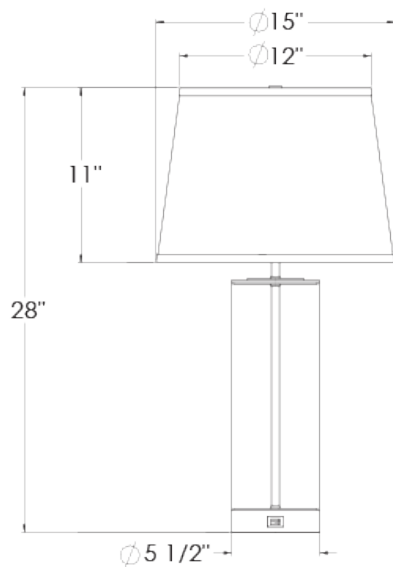
LAMPING:

(1)  **Medium** Base Socket, for LED A Style Bulb or Self-Ballasted CFL





MODEL 4003



DIMENSIONS:

H: 28" Dia: 15"

FINISH SHOWN:

BN Black Nickel

ALSO AVAILABLE IN:

AGB Aged Brass

SHADE MATERIAL SHOWN:

Black Shantung Linen


SHADE SIZE:

H: 11" Dia: 15"

SWITCH:

On/Off Rocker Switch

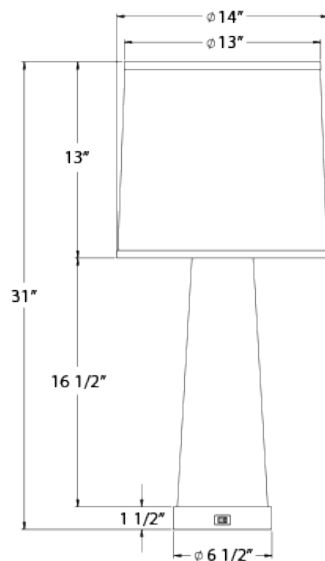
LAMPING:

(1)  **Medium** Base Socket, for LED A Style Bulb or Self-Ballasted CFL





MODEL 4004



DIMENSIONS:

H: 31" Dia: 14"

FINISH SHOWN:

PN Polished Nickel

SHADE MATERIAL SHOWN:

CD Ivory Linen


SHADE SIZE:

H: 13" Dia: 14"

SWITCH:

On/Off Rocker Switch

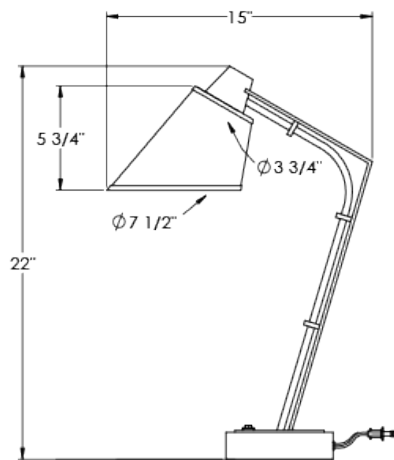
LAMPING:

(1)  **Medium** Base Socket, for LED A Style Bulb or Self-Ballasted CFL





MODEL 4006



DIMENSIONS:

H: 22" D: 15" W: 7 1/2"

FINISH SHOWN:

Powder Coated Gloss Black

SHADE MATERIAL SHOWN:

CD Ivory Linen


SHADE SIZE:

H: 5 3/4" Dia: 7 1/2"

SWITCH:

On/Off Rocker Switch

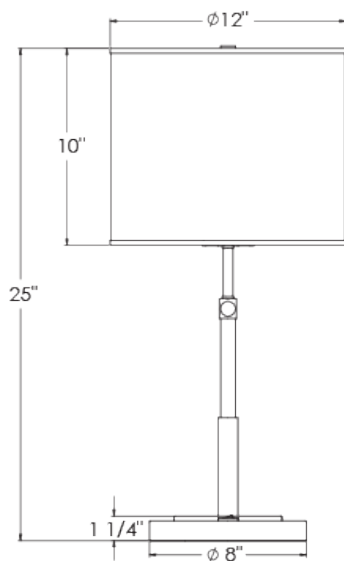
LAMPING:

(1)  **GU24** Base Socket, for LED A Style Bulb or Self-Ballasted CFL





MODEL 4007



DIMENSIONS:

H: 25" Dia: 12"

FINISH SHOWN:

Powder Coated Gloss Black

SHADE MATERIAL SHOWN:

Natural Linen


SHADE SIZE:

H: 10" Dia: 12"

SWITCH:

On/Off Rocker Switch

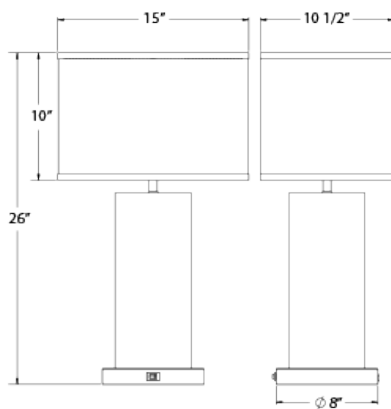
LAMPING:

(1)  **GU24** Base Socket, for LED A Style Bulb or Self-Ballasted CFL





MODEL 4009



DIMENSIONS:

H: 26" D: 10 1/2" W: 15"

FINISH SHOWN:

DORBZ Dark Oil Rubbed Bronze

SHADE MATERIAL SHOWN:

Linda Cream Linen


SHADE SIZE:

H: 10 " D: 10 1/2" W: 15 "

SWITCH:

On/Off Rocker Switch at Base

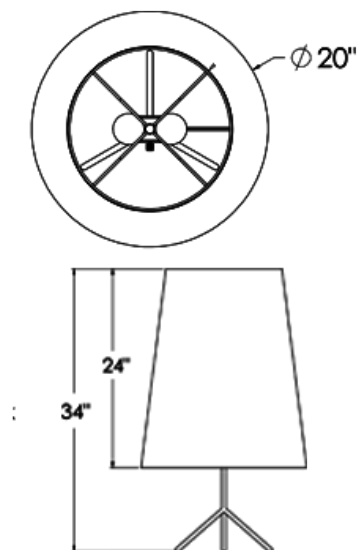
LAMPING:

(1)  **Medium** Base Socket, for LED A Style Bulb or Self-Ballasted CFL





MODEL 4013



DIMENSIONS:

H: 34" Dia: 20"

FINISH SHOWN:

BS Brushed Stainless Steel


SHADE MATERIAL SHOWN:

Hardback CD Ivory

SWITCH:

On/Off Rotary Switch

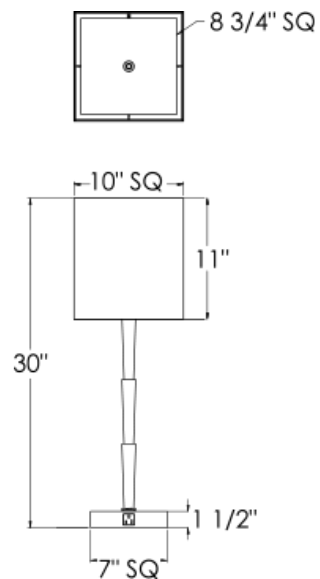
LAMPING:

(2)  **Medium** Base Socket, for LED A Style
Bulb or Self-Ballasted CFL





MODEL 4016



DIMENSIONS:

H: 30" D: 10" W: 10"

FINISH SHOWN:

SN Satin Nickel

SHADE MATERIAL SHOWN:

CD Ivory with an Opal Matte Acrylic Top Diffuser

SHADE SIZE:


H: 11" D: 10" W: 10"

SWITCH:

On/Off Rocker Switch

1 Convenience Outlet

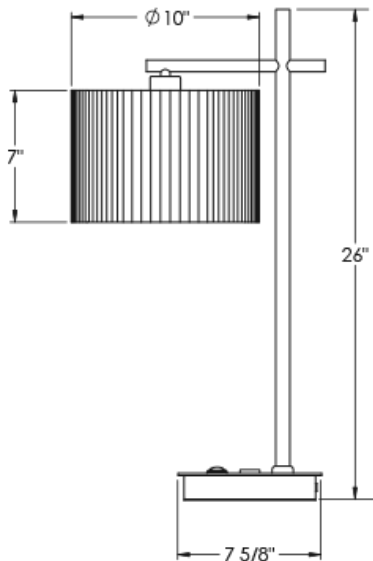
LAMPING:

(1)  **GU24** Base Socket, for LED A Style Bulb or Self-Ballasted CFL





MODEL 4026



DIMENSIONS:

H: 26" D: 14" W: 10"

FINISH SHOWN:

BN Brushed Nickel

SHADE MATERIAL SHOWN:

Micro Pleated Off White Silk Pongee with an Opal Matte Acrylic Top Diffuser

SHADE SIZE:

H: 7" Dia: 10"


SWITCH:

On/Off Rocker Switch at Base

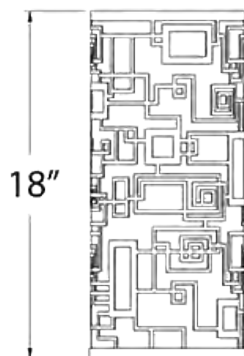
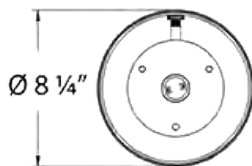
ADDITIONAL FEATURES:

2 Convenience Outlets

LAMPING:

(1)  **Medium** Base Socket, for LED A Style Bulb or Self-Ballasted CFL





DIMENSIONS:

H: 18 " Dia: 8 1/4"

FINISH SHOWN:

PDBZ Powder Coated Bronze

SHADE MATERIAL SHOWN:

Glossy Opal Acrylic


SHADE SIZE:

H: 18 " Dia: 8"

SWITCH:

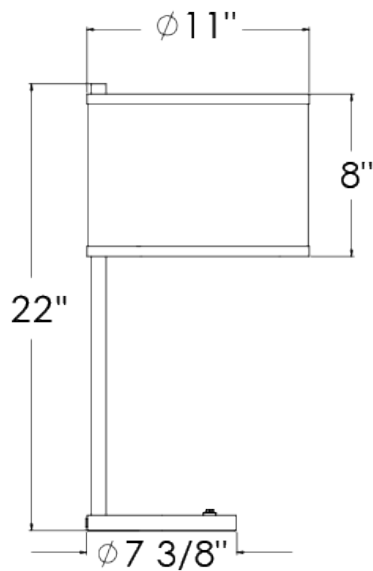
On/Off In-Line Rocker Switch

LAMPING:

(1)  **Medium** Base Socket, for LED A Style Bulb or Self-Ballasted CFL



MODEL 4028



DIMENSIONS:

H: 22" Dia: 11"

FINISH SHOWN:

BN Brushed Nickel

SHADE MATERIAL SHOWN:

Sandstone White Linen


SHADE SIZE:

H: 8" Dia: 11"

SWITCH:

On/Off Turn Knob at Socket

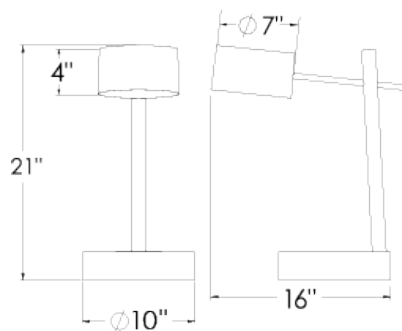
LAMPING:

(1)  **Medium** Base Socket, for LED A Style Bulb or Self-Ballasted CFL





MODEL 4030



DIMENSIONS:

H: 21" D: 16" W: 10"

FINISH SHOWN:

Wh Powder Coated White

SHADE MATERIAL SHOWN:

Metal

SHADE SIZE:

H: 4" Dia: 7"

SWITCH:


On/Off Rocker Switch

ADDITIONAL FEATURES:

2 Convenience Outlets

2 USB Ports

LAMPING:

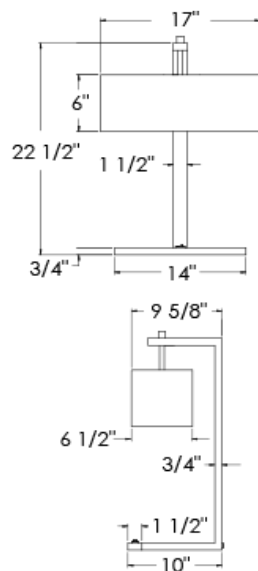
(1)  **Medium** Base Socket, for LED A Style

Bulb or Self-Ballasted CFL





MODEL 4032



DIMENSIONS:

H: 22 1/2" D: 9 5/8" W: 17"

FINISH SHOWN:

PDBZ Powder Coated Bronze

SHADE MATERIAL SHOWN:

Brussels Cream Linen with an Opal Matte Acrylic Top Diffuser


SHADE SIZE:

H: 6" D: 5" W: 17"

SWITCH:

On/Off Rocker Switch

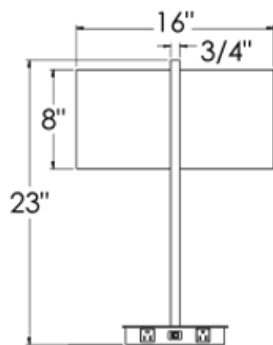
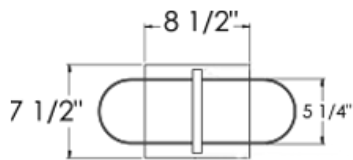
LAMPING:

(2)  **GU24** Base Socket, for LED A Style Bulb or Self-Ballasted CFL





MODEL 4035



DIMENSIONS:

H: 23" D: 7 1/2" W: 16"

FINISH SHOWN:

PC Polished Chrome
Powder Coated Flat Black

SHADE MATERIAL SHOWN:

Ivory Acrylic Shade

SHADE SIZE:


H: 8" D: 5 1/4" W: 16"

SWITCH:

On/Off Rocker Switch

2 Convenience Outlets

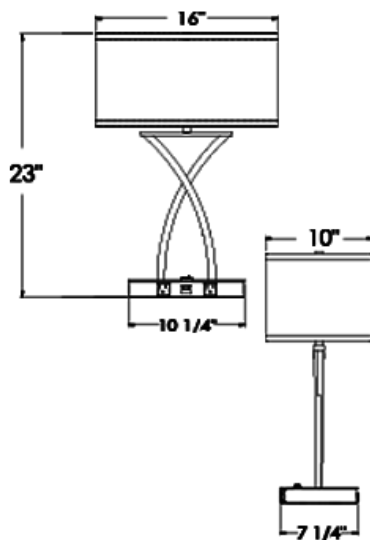
LAMPING:

(2)  **Medium** Base Socket, for LED A Style
Bulb or Self-Ballasted CFL





MODEL 4036



DIMENSIONS:

H: 23" D: 7 1/4" W: 10 1/4"

FINISH SHOWN:

PC Polished Chrome

SHADE MATERIAL SHOWN:

Hardback CD Ivory

SHADE SIZE:

H: 8" D: 10" W: 16"

SWITCH:


On/Off Rocker Switch

ADDITIONAL FEATURES:

2 Convenience Outlets

1 USB Port

LAMPING:

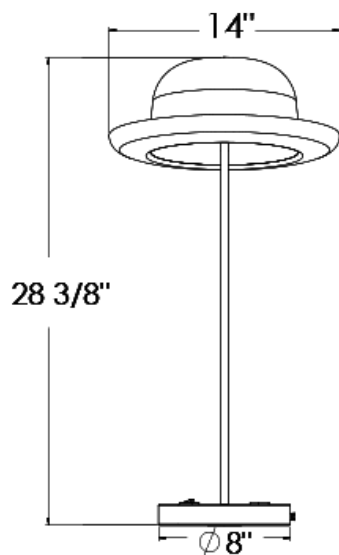
(2)  **Medium** Base Socket, for LED A Style

Bulb or Self-Ballasted CFL





MODEL 4037



DIMENSIONS:

H: 28 3/8" Dia: 8"

FINISH SHOWN:

Textured Black

SHADE MATERIAL SHOWN:

Textured Black


SWITCH:

On/Off Rocker Switch

ADDITIONAL FEATURES:

1 USB Port

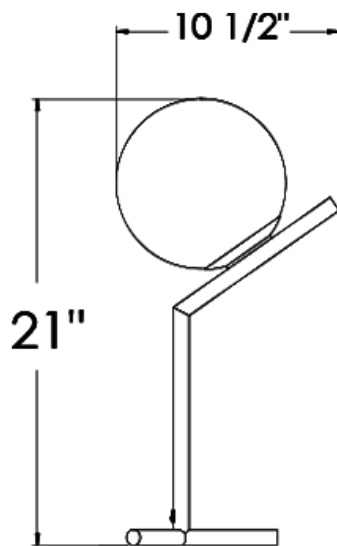
LAMPING:

(1)  **GU24** Base Socket, for LED A Style Bulb or Self-Ballasted CFL





MODEL 4038



DIMENSIONS:

H: 21" D: 10 1/2" W: 9"

FINISH SHOWN:

ANTB Antique Brass


SHADE MATERIAL SHOWN:

Opal Matte Acrylic

SWITCH:

On/Off Rocker Switch

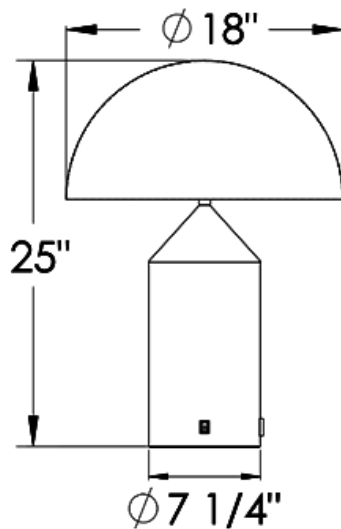
LAMPING:

(1)  **GU24** Base Socket, for LED A Style Bulb or Self-Ballasted CFL





MODEL 4039-M1



DIMENSIONS:

H: 25" Dia: 18"

FINISH SHOWN:

Custom Brushed Brass


SWITCH:

On/Off Rocker Switch

ADDITIONAL FEATURES:

1 Convenience Outlet

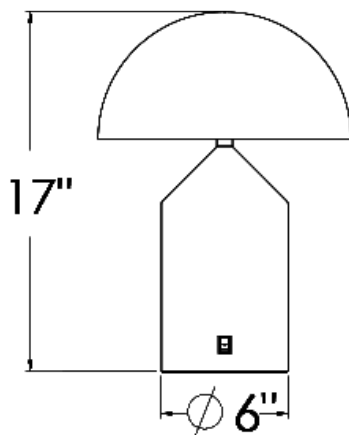
LAMPING:

(2)  **Medium** Base Socket, for LED A Style Bulb or Self-Ballasted CFL





MODEL 4039



DIMENSIONS:

H: 17" Dia: 6"

FINISH SHOWN:

BB Brushed Brass

SHADE MATERIAL SHOWN:

BB Brushed Brass

PDSN Powder Coated Satin Nickel


SHADE SIZE:

H: 6" Dia: 12"

SWITCH:

On/Off Rocker Switch

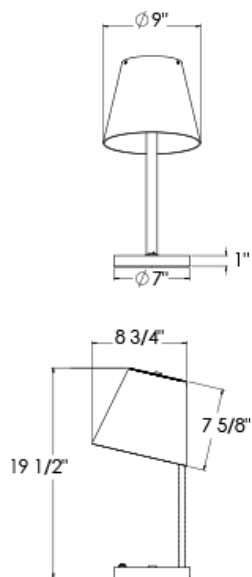
LAMPING:

(2)  **Medium** Base Socket, for LED A Style Bulb or Self-Ballasted CFL





MODEL 4040



DIMENSIONS:

H: $19 \frac{1}{2}''$ Dia: $8 \frac{3}{4}''$

FINISH SHOWN:

Wh Powder Coated White

SN Satin Nickel

SHADE MATERIAL SHOWN:


Opal Matte Acrylic

SWITCH:

On/Off Rocker Switch

1 USB Port

LAMPING:

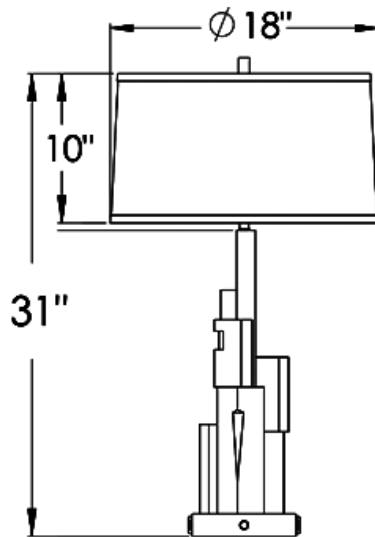
(1)  **Medium** Base Socket, for LED A Style

Bulb or Self-Ballasted CFL





MODEL 4057



DIMENSIONS:

H: 31" Dia: 18"

FINISH SHOWN:

AP Antique Pewter

SHADE MATERIAL SHOWN:

Hardback CD Ivory

SHADE SIZE:

H: 10" Dia: 18"

SWITCH:


Full Range Dimmer

ADDITIONAL FEATURES:

2 Convenience Outlets

2 USB Ports

LAMPING:

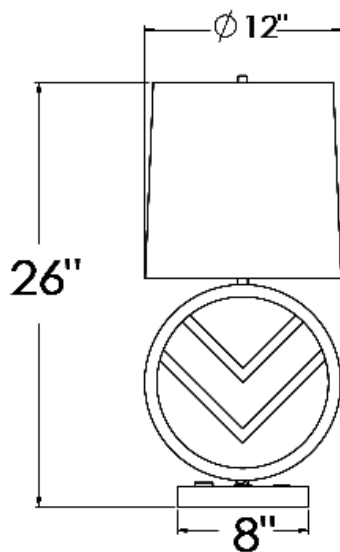
(2)  **Medium** Base Socket, for LED A Style

Bulb or Self-Ballasted CFL





MODEL 4107



DIMENSIONS:

H: 26" D: 8" W: 8"

FINISH SHOWN:

SC Satin Chrome

SHADE MATERIAL SHOWN:

Linda Cream Hardback

SHADE SIZE:

H: 12" Dia: 12"

SWITCH:


On/Off Rocker Switch

ADDITIONAL FEATURES:

1 Convenience Outlet

1 USB Port

LAMPING:

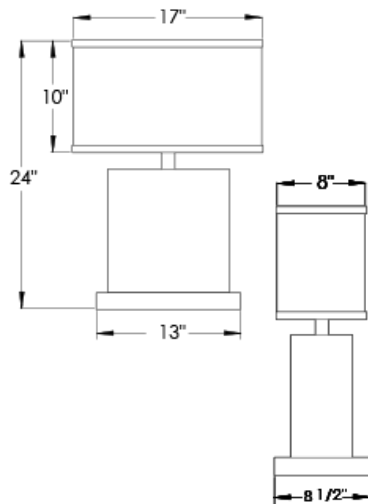
(1)  **Medium** Base Socket, for LED A Style

Bulb or Self-Ballasted CFL





MODEL 4109-MOD1



DIMENSIONS:

H: 24" D: 8" W: 13"

FINISH SHOWN:

SN Satin Nickel

SHADE MATERIAL SHOWN:

SN Satin Nickel

SHADE SIZE:

H: 10" D: 8" W: 17"


SWITCH:

On/Off Rocker Switch

ADDITIONAL FEATURES:

1 Convenience Outlet

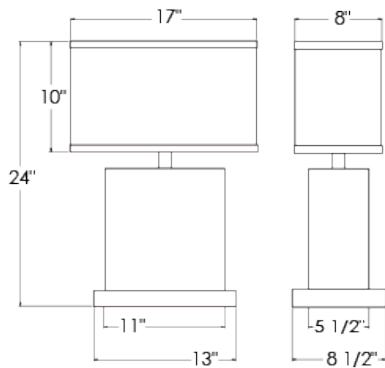
LAMPING:

(2)  **Medium** Base Socket, for LED A Style Bulb or Self-Ballasted CFL





MODEL 4109



DIMENSIONS:

H: 24" D: 8" W: 17"

FINISH SHOWN:

PC Polished Chrome

SHADE MATERIAL SHOWN:

CD Ivory

SHADE SIZE:

H: 10" D: 8" W: 17"


SWITCH:

On/Off Rocker Switch

ADDITIONAL FEATURES:

1 Convenience Outlet

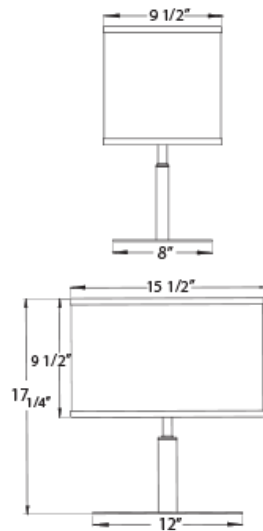
LAMPING:

(1)  **Medium** Base Socket, for LED A Style Bulb or Self-Ballasted CFL





MODEL 4110



DIMENSIONS:

H: 17 1/4" D: 9 1/2" W: 15 1/2"

FINISH SHOWN:

PC Polished Chrome

SHADE MATERIAL SHOWN:

Beige Linen with an Opal Matte Acrylic Top Diffuser


SHADE SIZE:

H: 9 1/2" D: 9 1/2" W: 15 1/2"

SWITCH:

Rotary Dimmer Switch at Socket

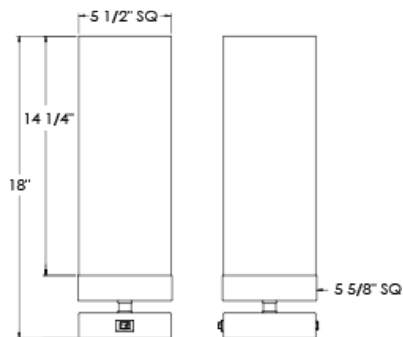
LAMPING:

(1)  **Medium** Base Socket, for LED A Style Bulb or Self-Ballasted CFL





MODEL 4111



DIMENSIONS:

H: 18" D: 5 5/8" W: 5 5/8"

FINISH SHOWN:

SN Satin Nickel

SHADE MATERIAL SHOWN:

CD Ivory Linen with an Opal Matte Acrylic Top
Diffuser


SHADE SIZE:

H: 14 1/4" D: 5 1/2" W: 5 1/2"

SWITCH:

On/Off Rocker Switch

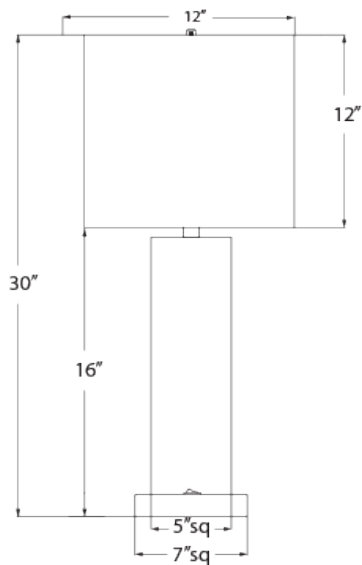
LAMPING:

(1)  **Medium** Base Socket, for LED A Style
Bulb or Self-Ballasted CFL





MODEL 4112



DIMENSIONS:

H: 30" D: 12" W: 12"

FINISH SHOWN:

BN Brushed Nickel

SHADE MATERIAL SHOWN:

Sandstone White Linen


SHADE SIZE:

H: 12" D: 12" W: 12"

SWITCH:

On/Off Rocker Switch at Base

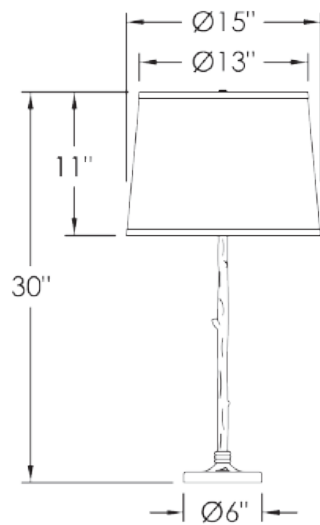
LAMPING:

(1)  **Medium** Base Socket, for LED A Style Bulb or Self-Ballasted CFL





MODEL 4121



DIMENSIONS:

H: 30" Dia: 13"

FINISH SHOWN:

BZ Bronze

SHADE MATERIAL SHOWN:

CD Ivory Linen


SHADE SIZE:

H: 11" Dia: 13"

SWITCH:

On/Off Rocker Switch at Base

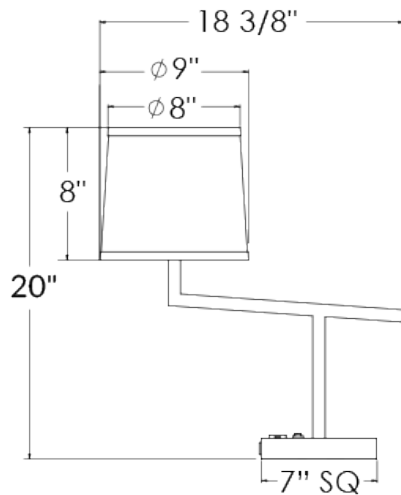
LAMPING:

(1)  **Medium** Base Socket, for LED A Style Bulb or Self-Ballasted CFL





MODEL 4128



DIMENSIONS:

H: 20" D: 9" W: 18 3/8"

FINISH SHOWN:

BN Brushed Nickel

SHADE MATERIAL SHOWN:

CD Ivory Linen


SHADE SIZE:

H: 8" Dia: 9"

SWITCH:

On/Off Rocker Switch at Base

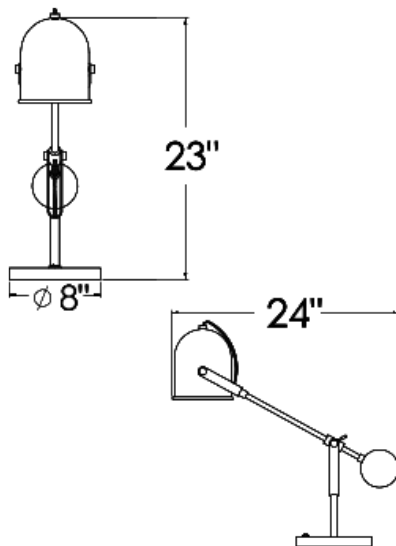
LAMPING:

(1)  **Medium** Base Socket, for LED A Style Bulb or Self-Ballasted CFL





MODEL 4151



DIMENSIONS:

H: 23" Dia: 8"

FINISH SHOWN:

PN Polished Nickel


SHADE SIZE:

H: 7 1/2" Dia: 6"

SWITCH:

On/Off Rocker Switch

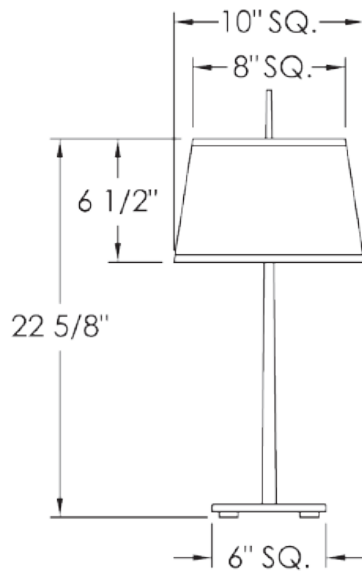
LAMPING:

(1)  **Medium** Base Socket, for LED A Style Bulb or Self-Ballasted CFL





MODEL 4158



DIMENSIONS:

H: 22 5/8" D: 10" W: 10"

FINISH SHOWN:

ORBZ Oil Rubbed Bronze

SHADE MATERIAL SHOWN:

Beige Linen


SHADE SIZE:

H: 6 1/2" D: 10" W: 10"

SWITCH:

On/Off In-Line Rocker Switch

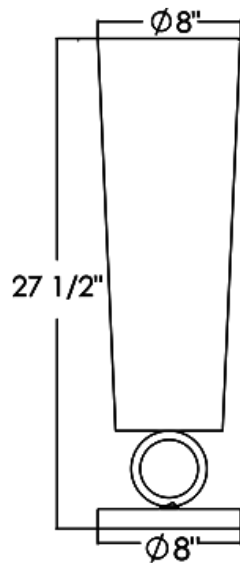
LAMPING:

(2)  **Medium** Base Socket, for LED A Style Bulb or Self-Ballasted CFL





MODEL 4162



DIMENSIONS:

H: 27 1/2" Dia: 8"

FINISH SHOWN:

BN Brushed Nickel

SHADE MATERIAL SHOWN:

Off White Linen


SHADE SIZE:

H: 27 1/2" Dia: 8"

SWITCH:

On/Off Rocker Switch at Base

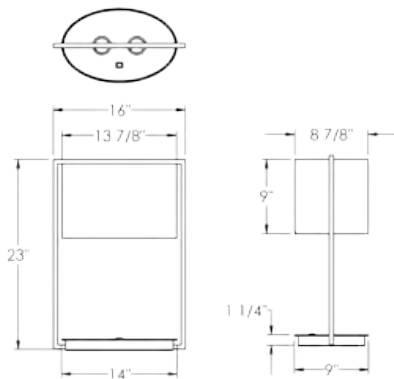
LAMPING:

(1)  **Medium** Base Socket, for LED A Style Bulb or Self-Ballasted CFL





MODEL 4178



DIMENSIONS:

H: 23" D: 8 7/8" W: 16"

FINISH SHOWN:

BN Brushed Nickel

SHADE MATERIAL SHOWN:

CD Ivory Linen


SHADE SIZE:

H: 9" D: 8 7/8" W: 13 7/8"

SWITCH:

3-Position Rocker Switch

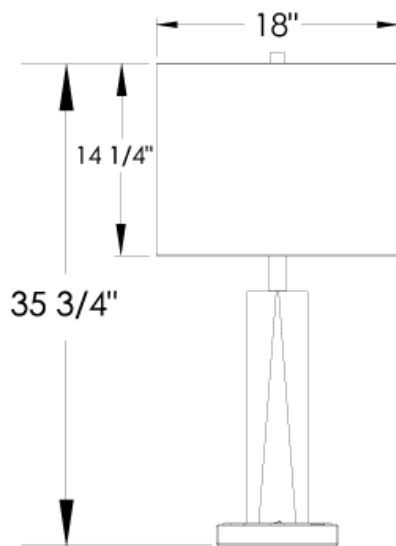
LAMPING:

(2)  **GU24** Base Socket, for LED A Style Bulb or Self-Ballasted CFL





MODEL 4183



DIMENSIONS:

H: 35 3/4" D: 9" W: 18"

FINISH SHOWN:

PN Polished Nickel

SHADE MATERIAL SHOWN:

Linda Cream Linen


SHADE SIZE:

H: 14 1/4" D: 9" W: 18"

SWITCH:

On/Off Rocker Switch

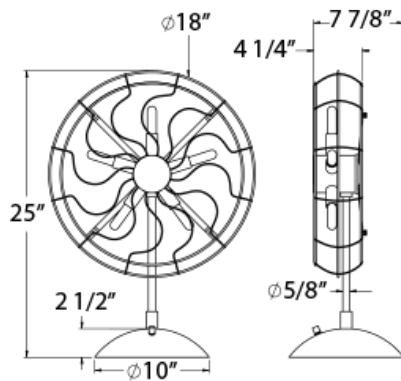
LAMPING:

(1)  **Medium** Base Socket, for LED A Style Bulb or Self-Ballasted CFL





MODEL 4184



DIMENSIONS:

H: 25 " D: 7 7/8" W: 18 "


FINISH SHOWN:

PDMB Powder Coated Matte Black

SWITCH:

Full Range Dimmer

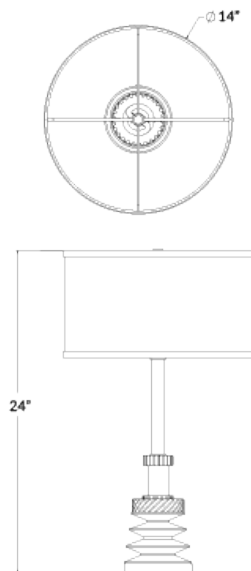
LAMPING:

(5)  Candelabra Base (E12) Socket for 9 Watt LED





MODEL 4196



DIMENSIONS:

H: 24" Dia: 14"

FINISH SHOWN:

BZ Bronze

SHADE MATERIAL SHOWN:

CD Ivory Linen


SHADE SIZE:

H: 8" Dia: 14"

SWITCH:

Rotary Dimmer Switch at Socket

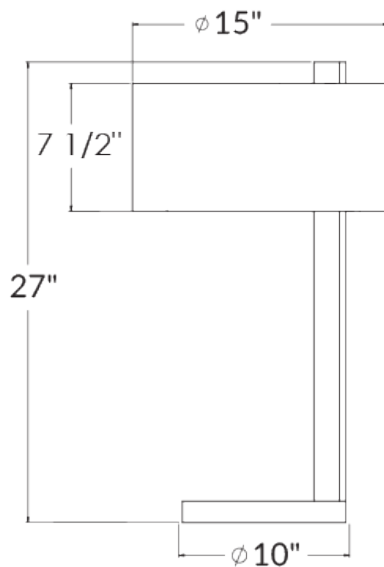
LAMPING:

(1)  **Medium** Base Socket, for LED A Style Bulb or Self-Ballasted CFL





MODEL 4202



DIMENSIONS:

H: 27" Dia: 15"

FINISH SHOWN:

BM Blackened Metal

SHADE MATERIAL SHOWN:

Linda Cream Linen


SHADE SIZE:

H: 7 1/2" Dia: 15"

SWITCH:

On/Off Micro Rocker Switch

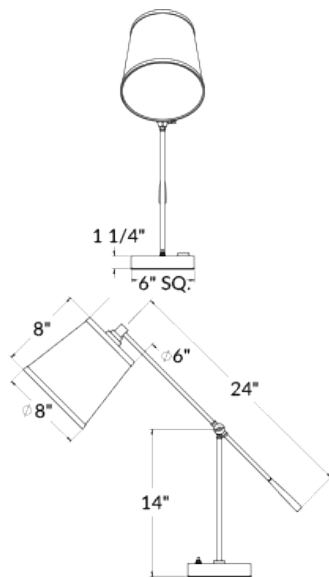
LAMPING:

(1)  **Medium** Base Socket, for LED A Style Bulb or Self-Ballasted CFL





MODEL 4213



DIMENSIONS:

H: 26" D: 24" W: 8"

FINISH SHOWN:

Brussels Cream

SHADE MATERIAL SHOWN:

CD Ivory

SHADE SIZE:

H: 8" Dia: 8"


SWITCH:

On/Off Push Button

ADDITIONAL FEATURES:

1 Convenience Outlet

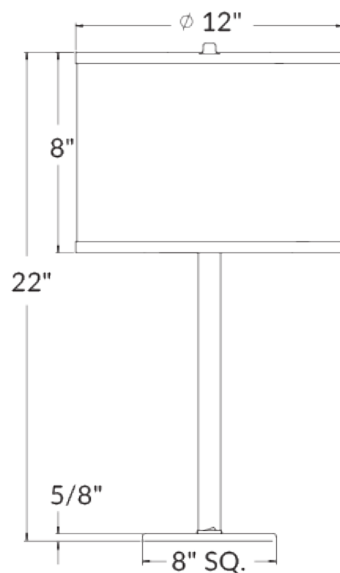
LAMPING:

(1)  **GU24** Base Socket, for LED A Style Bulb or Self-Ballasted CFL





MODEL 4215



DIMENSIONS:

H: 22" Dia: 12"

FINISH SHOWN:

PN Polished Nickel

SHADE MATERIAL SHOWN:

White Parchment


SHADE SIZE:

H: 8" Dia: 12"

SWITCH:

On/Off Switch at Socket

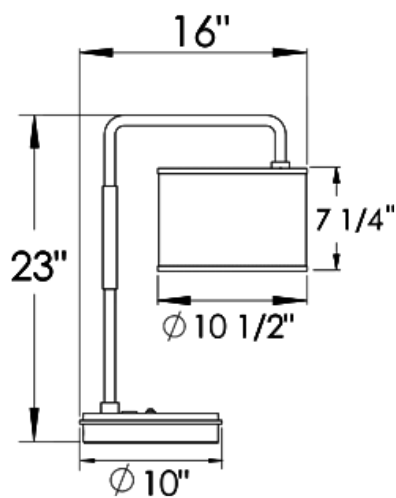
LAMPING:

(1)  **Medium** Base Socket, for LED A Style Bulb or Self-Ballasted CFL





MODEL 4219



DIMENSIONS:

H: 23" Dia: 10 1/2"

FINISH SHOWN:

SbSatin Blackened Bronze

Wh Powder Coated White

SHADE MATERIAL SHOWN:

Hardback Canvas White Linen

SHADE SIZE:

H: 7 1/4" Dia: 10 1/2"

SWITCH:


On/Off Rocker Switch

ADDITIONAL FEATURES:

2 USB Ports

2 Convenience Outlets

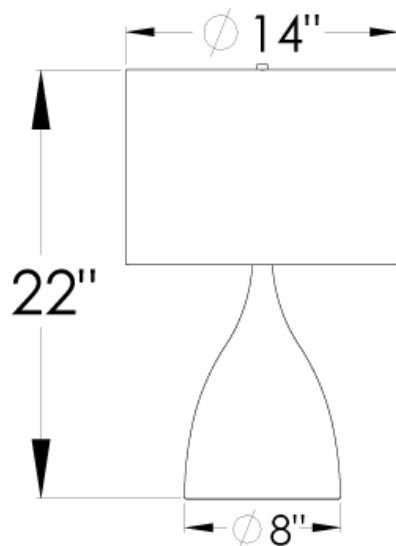
LAMPING:

(1)  **Medium** Base Socket, for LED A Style Bulb or Self-Ballasted CFL





MODEL 4221



DIMENSIONS:

H: 22" Dia: 14"

FINISH SHOWN:

Bengal White

SHADE MATERIAL SHOWN:

Canvas White Linen


SHADE SIZE:

H: 10" Dia: 14"

SWITCH:

Full Range Dimmer

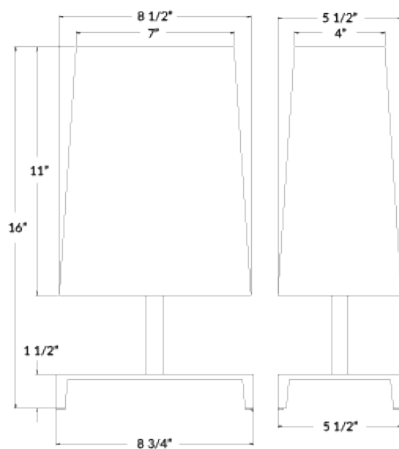
LAMPING:

(1)  **Medium** Base Socket, for LED A Style Bulb or Self-Ballasted CFL





MODEL 4223



DIMENSIONS:

H: 16" D: 5 1/2" W: 8 3/4"

FINISH SHOWN:

BZ Bronze

SHADE MATERIAL SHOWN:

CD Ivory


SHADE SIZE:

H: 11" D: 5 1/2" W: 8 1/2"

SWITCH:

On/Off Rocker Switch at Socket

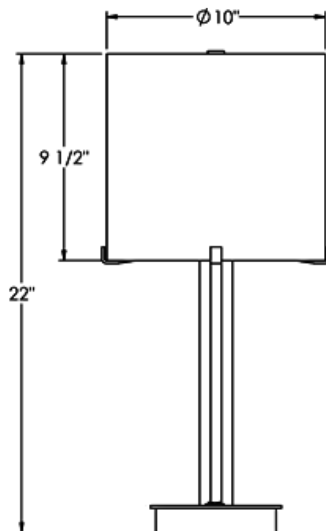
LAMPING:

(2)  **GU24** Base Socket, for LED A Style Bulb or Self-Ballasted CFL





MODEL 4224



DIMENSIONS:

H: 22" Dia: 10"

FINISH SHOWN:

PB Polished Brass

SHADE MATERIAL SHOWN:

CD Ivory Linen


SHADE SIZE:

H: 9 1/2" Dia: 10"

SWITCH:

3-Way Rocker Switch

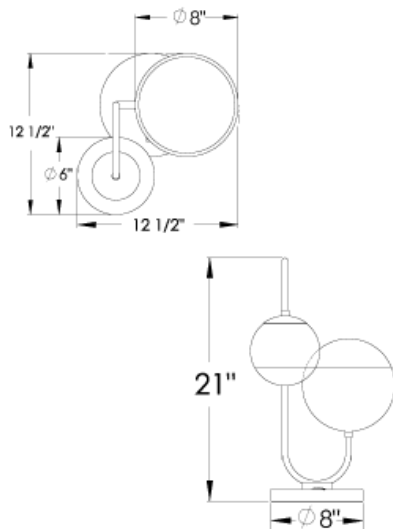
LAMPING:

(2)  **GU24** Base Socket, for LED A Style Bulb
or Self-Ballasted CFL





MODEL 4227



DIMENSIONS:

H: 21" D: 12 1/2" W: 12 1/2"

FINISH SHOWN:

Plated Custom Gunmetal

SHADE MATERIAL SHOWN:

Clear Glass Top

White Sandblasted Glass


SHADE SIZE:

H: 8" Dia: 8"

SWITCH:

3-Position Rocker Switch

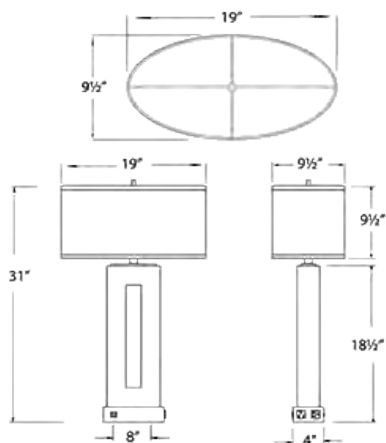
LAMPING:

(2)  **Medium** Base Socket, for LED A Style Bulb or Self-Ballasted CFL





MODEL 4229



DIMENSIONS:

H: 31" D: 9 1/2" W: 19"

FINISH SHOWN:

ORBZ Oil Rubbed Bronze

SHADE MATERIAL SHOWN:

Taupe Sandstone


SHADE SIZE:

H: 9 1/2" D: 9 1/2" W: 19"

SWITCH:

3-Way Rocker Switch

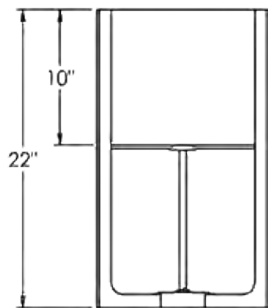
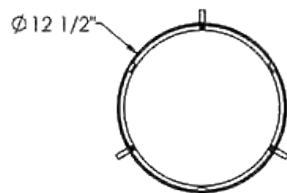
LAMPING:

(2)  **Medium** Base Socket, for LED A Style Bulb or Self-Ballasted CFL





MODEL 4234



DIMENSIONS:

H: 22" Dia: 12 1/2"

FINISH SHOWN:

BCH Brushed Chrome

SHADE MATERIAL SHOWN:

CD Ivory Linen


SHADE SIZE:

H: 10" Dia: 12 1/2"

SWITCH:

On/Off Rocker Switch at Base

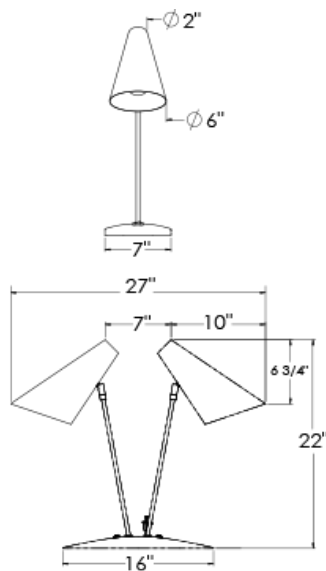
LAMPING:

(2)  **Medium** Base Socket, for LED A Style Bulb or Self-Ballasted CFL





MODEL 4237-2



DIMENSIONS:

H: 22" D: 27" W: 7"

FINISH SHOWN:

Wh Powder Coated White

SHADE MATERIAL SHOWN:

Metal


SHADE SIZE:

H: 10" Dia: 6"

SWITCH:

2 On/Off Rockers at Base

LAMPING:

(2)  **GU24** Base Socket, for LED A Style Bulb or Self-Ballasted CFL





MODEL 4237



DIMENSIONS:

H: 22 " D: 14" W: 7"

FINISH SHOWN:

Wh Powder Coated White


SHADE SIZE:

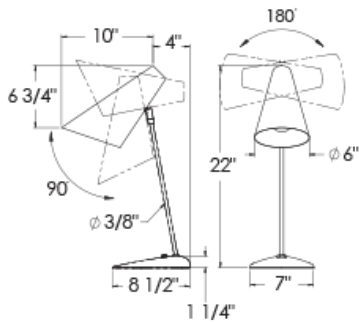
H: 10 " Dia: 6 "

SWITCH:

On/Off Rocker Switch at Base

LAMPING:

(1)  **Medium** Base Socket, for LED A Style Bulb or Self-Ballasted CFL





MODEL 4240



DIMENSIONS:

H: 24 7/8" D: 9 5/8" W: 8"

FINISH SHOWN:

BN Brushed Nickel

SHADE MATERIAL SHOWN:

Opal Matte Acrylic


SWITCH:

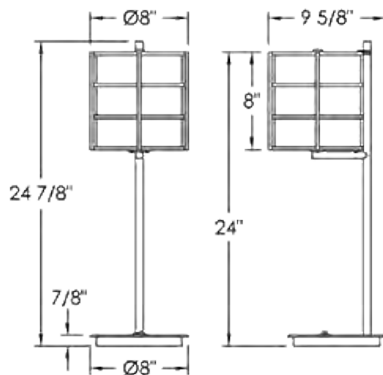
On/Off Rocker Switch at Base

ADDITIONAL FEATURES:

2 Convenience Outlets

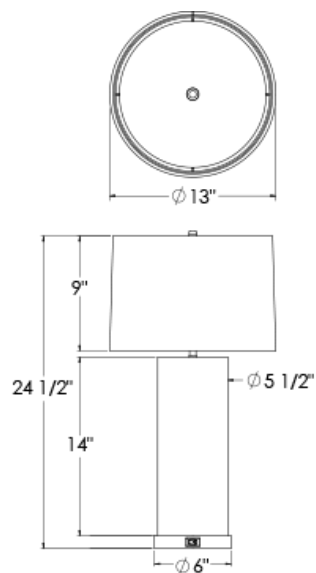
LAMPING:

(1)  **Medium** Base Socket, for LED A Style Bulb or Self-Ballasted CFL





MODEL 4243



DIMENSIONS:

H: $24 \frac{1}{2}"$ Dia: $13"$

FINISH SHOWN:

BN Brushed Nickel

Clear Amber Glass with Texture

SHADE MATERIAL SHOWN:

CD Ivory


SHADE SIZE:

H: $9"$ Dia: $13"$

SWITCH:

On/Off Rocker Switch at Base

LAMPING:

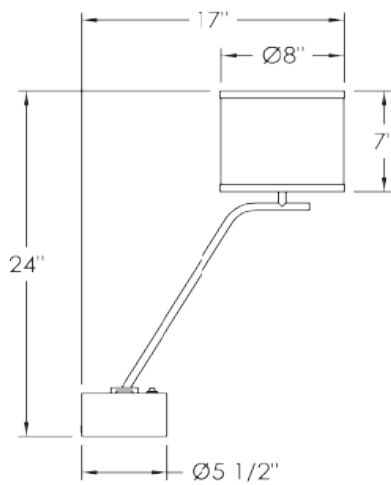
(1)  **Medium** Base Socket, for LED A Style

Bulb or Self-Ballasted CFL





MODEL 4245



DIMENSIONS:

H: 24" Dia: 8"

FINISH SHOWN:

Satin Stainless Steel

SHADE MATERIAL SHOWN:

Linda Cream Linen


SHADE SIZE:

H: 7" Dia: 8"

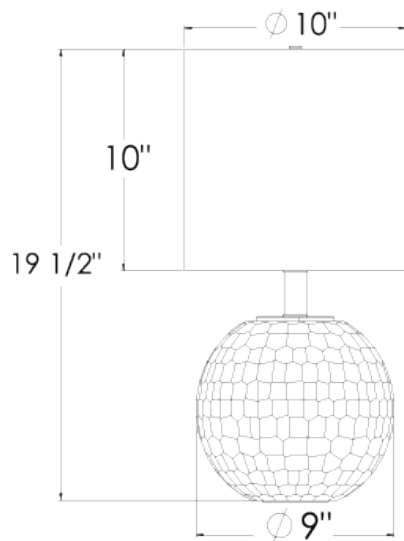
SWITCH:

On/Off Rocker Switch at Base

LAMPING:

(1)  **Medium** Base Socket, for LED A Style Bulb or Self-Ballasted CFL





DIMENSIONS:

H: 19 1/2" Dia: 10"

FINISH SHOWN:

JG Juniper Green

SHADE MATERIAL SHOWN:

CD Ivory Linen


SHADE SIZE:

H: 10" Dia: 10"

SWITCH:

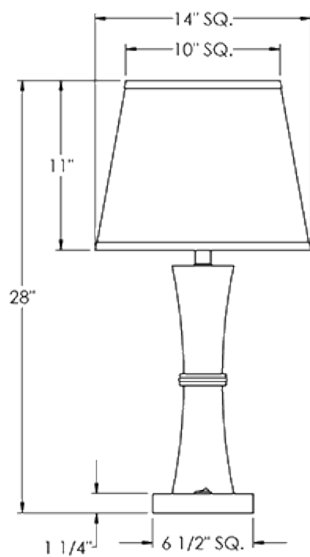
On/Off Rocker Switch Below Socket

LAMPING:

(1)  **Medium** Base Socket, for LED A Style Bulb or Self-Ballasted CFL



MODEL 4256



DIMENSIONS:

H: 28" D: 14" W: 14"

FINISH SHOWN:

ORBZ Oil Rubbed Bronze

SHADE MATERIAL SHOWN:

CD Ivory Linen


SHADE SIZE:

H: 11" D: 14" W: 14"

SWITCH:

On/Off Rocker Switch at Base

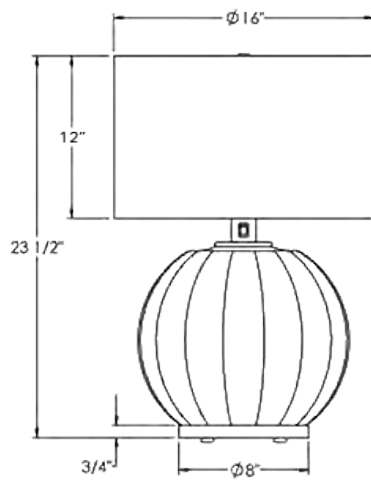
LAMPING:

(1)  **Medium** Base Socket, for LED A Style Bulb or Self-Ballasted CFL





MODEL 4259



DIMENSIONS:

H: 23 1/2" Dia: 16"

FINISH SHOWN:

SN Satin Nickel

Smoke Grey Glass

SHADE MATERIAL SHOWN:

Linda Black Linen


SHADE SIZE:

H: 12" Dia: 16"

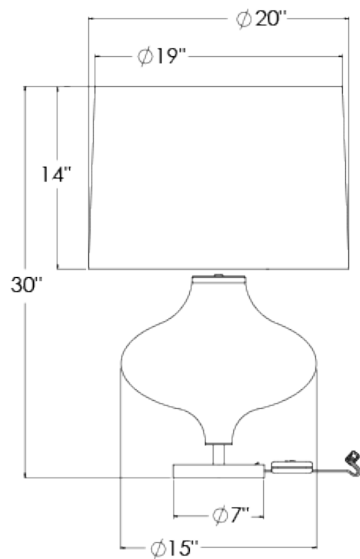
SWITCH:

3-Way Rocker Switch

LAMPING:

(2)  **GU24** Base Socket, for LED A Style Bulb
or Self-Ballasted CFL





DIMENSIONS:

H: 30" Dia: 20"

FINISH SHOWN:

GG Green Glass

SHADE MATERIAL SHOWN:

Linda Cream Linen


SHADE SIZE:

H: 14" Dia: 20"

SWITCH:

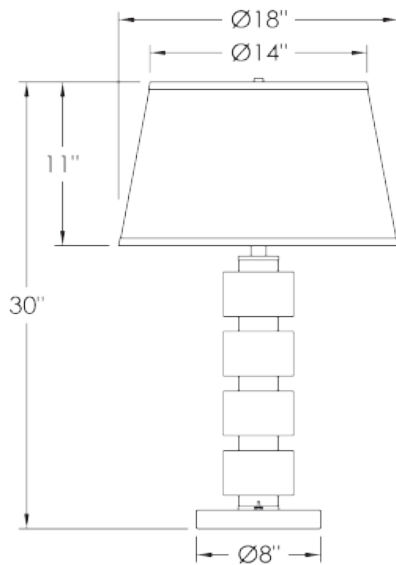
White In-Line Dimmer

LAMPING:

(1)  **Medium** Base Socket, for LED A Style Bulb or Self-Ballasted CFL



MODEL 4261



DIMENSIONS:

H: 30" Dia: 18"

FINISH SHOWN:

DW Dark Walnut

SHADE MATERIAL SHOWN:

CD Ivory Linen

SHADE SIZE:

H: 11" Dia: 18"


SWITCH:

On/Off Push Switch

ADDITIONAL FEATURES:

1 Convenience Outlet

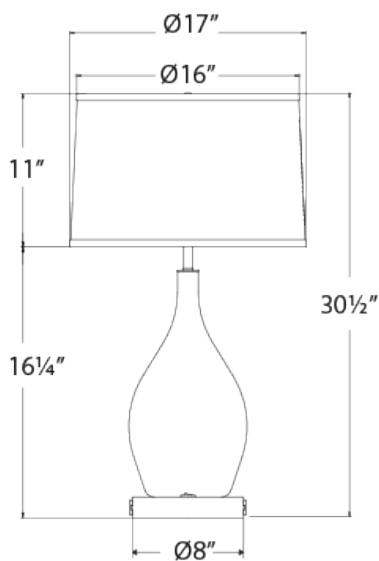
LAMPING:

(1)  **Medium** Base Socket, for LED A Style Bulb or Self-Ballasted CFL





MODEL 4263



DIMENSIONS:

H: 30 1/2" Dia: 17"

FINISH SHOWN:

PC Polished Chrome

SHADE MATERIAL SHOWN:

Laura White Linen

SHADE SIZE:

H: 11" Dia: 17"


SWITCH:

On/Off Rocker Switch at Base

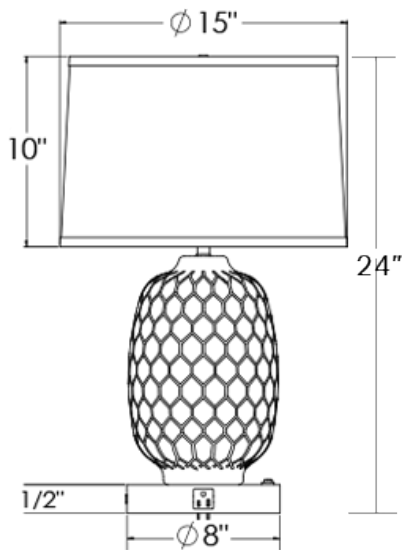
ADDITIONAL FEATURES:

2 Convenience Outlets

LAMPING:

(1)  **Medium** Base Socket, for LED A Style Bulb or Self-Ballasted CFL





DIMENSIONS:

H: 24" Dia: 15"

FINISH SHOWN:

PC Polished Chrome

SHADE MATERIAL SHOWN:

White Linen

SHADE SIZE:


H: 10" Dia: 15"

SWITCH:

On/Off Rocker Switch

2 Convenience Outlets

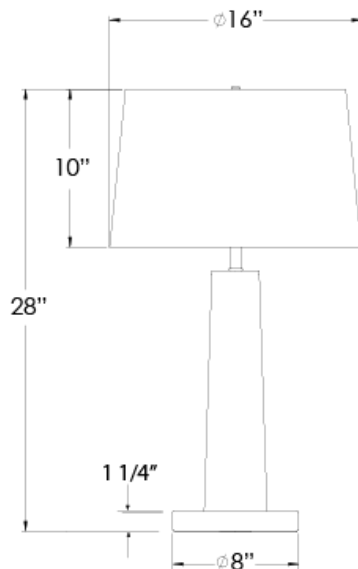
LAMPING:

(1)  **Medium** Base Socket, for LED A Style

Bulb or Self-Ballasted CFL



MODEL 4270



DIMENSIONS:

H: 28" Dia: 16"

FINISH SHOWN:

ANTB Antique Brass

DW Dark Walnut

SHADE MATERIAL SHOWN:

Ivory Linen with an Opal Matte Acrylic Top Diffuser

SHADE SIZE:

H: 10" Dia: 16"


SWITCH:

On/Off Rocker Switch at Base

1 Convenience Outlet

1 USB Port

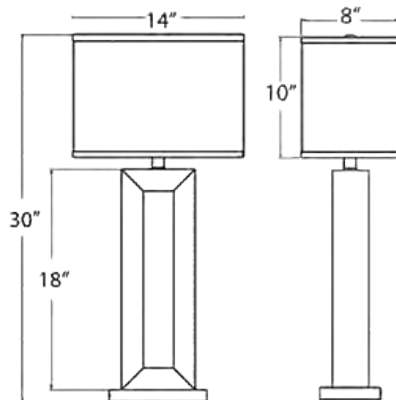
LAMPING:

(1)  **Medium** Base Socket, for LED A Style Bulb or Self-Ballasted CFL





MODEL 4276



DIMENSIONS:

H: 30" D: 8" W: 14"

FINISH SHOWN:

BS Brushed Stainless Steel

SHADE MATERIAL SHOWN:

Canvas White Linen


SHADE SIZE:

H: 10" D: 8" W: 14"

SWITCH:

In-Line Rocker

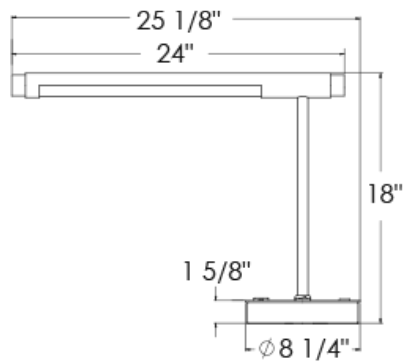
LAMPING:

(1)  **Medium** Base Socket, for LED A Style Bulb or Self-Ballasted CFL





MODEL 4282-MOD3



DIMENSIONS:

H: 18" D: 25 1/8" W: 8 1/4"

FINISH SHOWN:

SN Satin Nickel

SHADE MATERIAL SHOWN:

Opal Matte Acrylic

SWITCH:

On/Off Rocker Switch at Base


ADDITIONAL FEATURES:

1 Convenience Outlet

1 USB Port

Clear Crystal End Caps

LAMPING:

 **L8-30K** 8 Watts, 3000K LED





MODEL 4285-N60-SN



DIMENSIONS:

H: 29" Dia: 16"

FINISH SHOWN:

PC Polished Chrome

Vinyl Wrapped Column

SHADE MATERIAL SHOWN:

Canvas White Linen with an Opal Matte Acrylic Top
Diffuser

SHADE SIZE:


H: 10" Dia: 16"

SWITCH:

3 Way Rocker at Base

2 Convenience Outlets

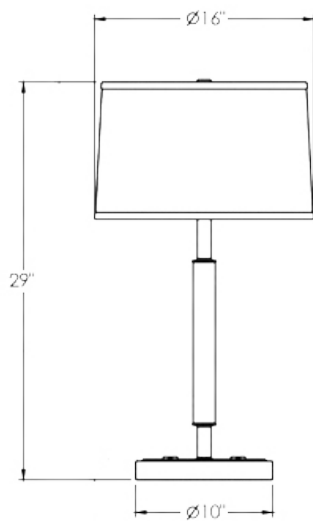
LAMPING:

(1)  **Medium** Base Socket, for LED A Style
Bulb or Self-Ballasted CFL





MODEL 4285



DIMENSIONS:

H: 29" Dia: 16"

FINISH SHOWN:

PC Polished Chrome

SHADE MATERIAL SHOWN:

Canvas White Linen

SHADE SIZE:

H: 10" Dia: 16"

SWITCH:


On/Off Rocker Switch at Base

ADDITIONAL FEATURES:

1 Convenience Outlet

1 USB Port

LAMPING:

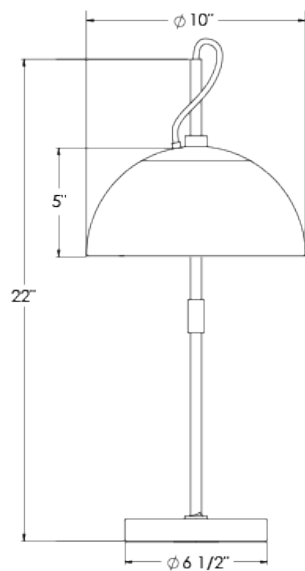
(1)  **Medium** Base Socket, for LED A Style

Bulb or Self-Ballasted CFL





MODEL 4287



DIMENSIONS:

H: 22" Dia: 10"

FINISH SHOWN:

PC Polished Chrome

SHADE MATERIAL SHOWN:

Metal


SHADE SIZE:

H: 5" Dia: 10"

SWITCH:

On/Off Rocker Switch at Base

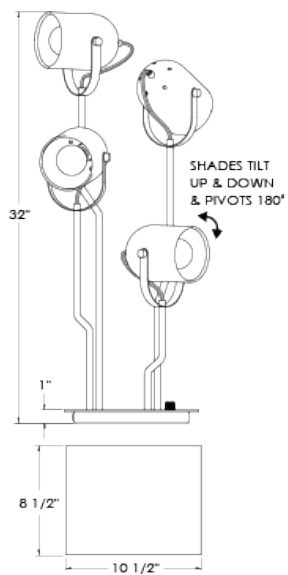
LAMPING:

(1)  **GU24** Base Socket, for LED A Style Bulb or Self-Ballasted CFL





MODEL 4289



DIMENSIONS:

H: 32" D: 8" W: 10 1/2"

FINISH SHOWN:

PC Polished Chrome

ALSO AVAILABLE IN:

ORBZ Oil Rubbed Bronze

SHADE MATERIAL SHOWN:

Metal


SHADE SIZE:

H: 6" Dia: 4 3/8"

SWITCH:

Rotary Dimmer at Base

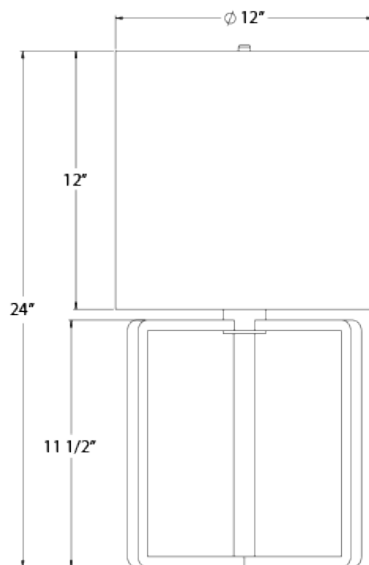
LAMPING:

(4)  **Medium** Base Socket, for LED A Style Bulb or Self-Ballasted CFL





MODEL 4290



DIMENSIONS:

H: 24" Dia: 12"

FINISH SHOWN:

ABZ Antique Bronze

SHADE MATERIAL SHOWN:

CD Ivory Linen


SHADE SIZE:

H: 12" Dia: 12"

SWITCH:

On/Off Micro Rocker Switch

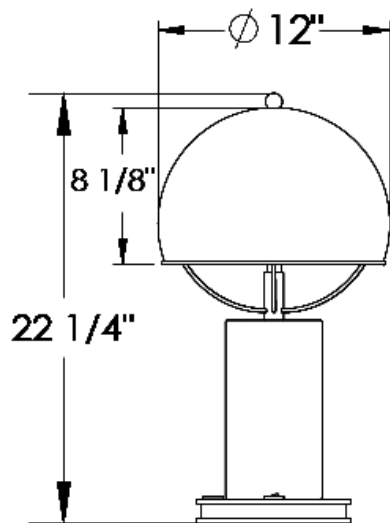
LAMPING:

(1)  **Medium** Base Socket, for LED A Style Bulb or Self-Ballasted CFL





MODEL 4300



DIMENSIONS:

H: $22 \frac{1}{4}''$ Dia: $12''$

FINISH SHOWN:

SB Satin Brass

Faux White Marble

SHADE MATERIAL SHOWN:

Opal Matte Acrylic


SWITCH:

On/Off Rocker Switch

ADDITIONAL FEATURES:

1 Convenience Outlet

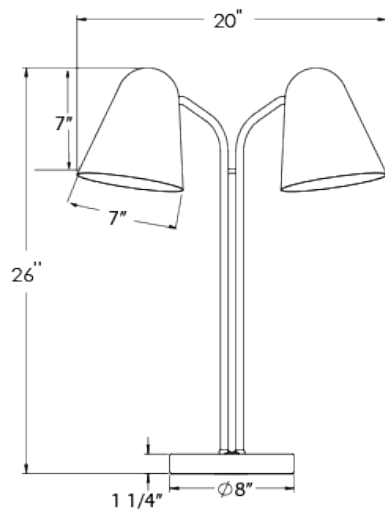
LAMPING:

(1)  **Medium** Base Socket, for LED A Style Bulb or Self-Ballasted CFL





MODEL 4310



DIMENSIONS:

H: 26" D: 8" W: 20"

FINISH SHOWN:

ANTB Antique Brass

SHADE MATERIAL SHOWN:

Metal


SHADE SIZE:

H: 7" Dia: 7"

SWITCH:

3-Way Rocker Switch

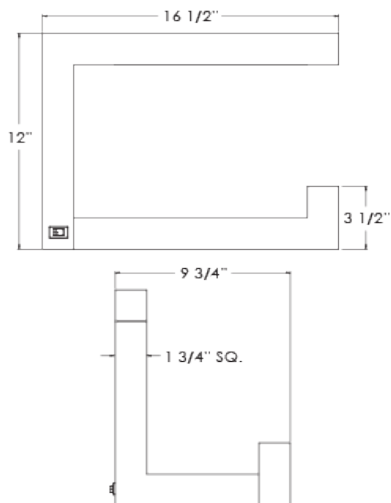
LAMPING:

(2)  **Medium** Base Socket, for LED A Style Bulb or Self-Ballasted CFL





MODEL 4313



DIMENSIONS:

H: 12" D: 9 3/4" W: 16 1/2"

FINISH SHOWN:

SB Satin Brass

ALSO AVAILABLE IN:

PDMB Powder Coated Matte Black


SHADE MATERIAL SHOWN:

Frosted Acrylic

SWITCH:

On/Off Rocker Switch at Base

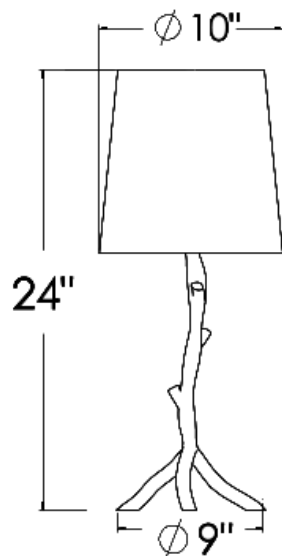
LAMPING:

 **L6-27K** 6 Watts, 2700K LED





MODEL 4319



DIMENSIONS:

H: 24" Dia: 9"

FINISH SHOWN:

Brushed Bronze

SHADE MATERIAL SHOWN:

Hardback Brussels Cream Linen


SHADE SIZE:

H: 10" Dia: 10"

SWITCH:

On/Off Micro Rocker Switch

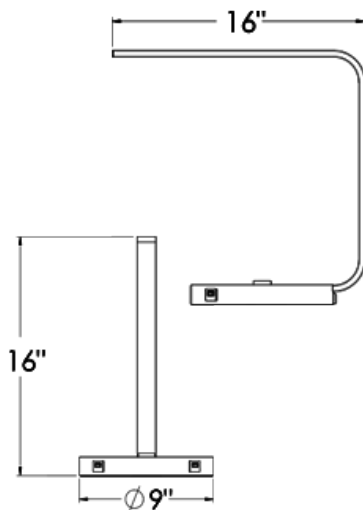
LAMPING:

(1)  GU24 Base Socket, for LED A Style Bulb or Self-Ballasted CFL





MODEL 4321-M1



DIMENSIONS:

H: 16" Dia: 9"

FINISH SHOWN:

PDBL Powder Coated Black
Matte Black


SWITCH:

On/Off Switch

ADDITIONAL FEATURES:

1 Convenience Outlet
2 USB Ports

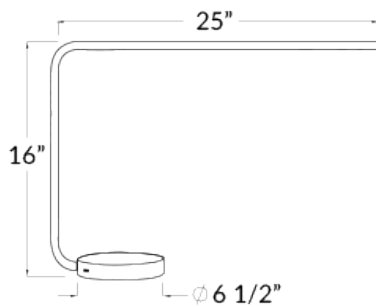
LAMPING:

(1)  **L8-30K** 8 Watts, 3000K LED





MODEL 4321



DIMENSIONS:

H: 16" D: 6 1/2" W: 25"

FINISH SHOWN:

PDBL Powder Coated Black

SHADE MATERIAL SHOWN:

Frosted Acrylic


SWITCH:

Touch Activated

ADDITIONAL FEATURES:

1 USB Port

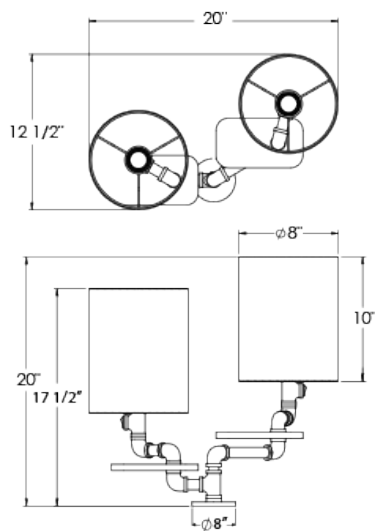
LAMPING:

 **L8-30K** 8 Watts, 3000K LED





MODEL 4326



DIMENSIONS:

H: 20" D: 12 1/2" W: 20"

FINISH SHOWN:

BZ Bronze

DSW Dark Stained Wood

SHADE MATERIAL SHOWN:

Brussels Cream Linen


SHADE SIZE:

H: 10" Dia: 8"

SWITCH:

(2) Round On/Off Rocker Switch

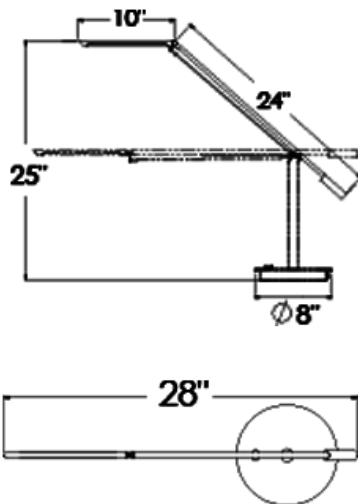
LAMPING:

(2)  **Medium** Base Socket, for LED A Style Bulb or Self-Ballasted CFL





MODEL 4329



DIMENSIONS:

H: 25" Dia: 8"

FINISH SHOWN:

PDMB Powder Coated Matte Black


SHADE MATERIAL SHOWN:

with an Opal Matte Acrylic Bottom Diffuser

SWITCH:

Rotary Dimmer at Base

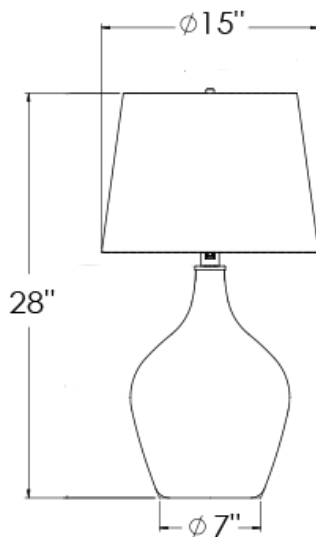
LAMPING:

 **L7-27K** 7 Watts, 2700K LED





MODEL 4330



DIMENSIONS:

H: 28" Dia: 15"

FINISH SHOWN:

PDBL Powder Coated Black

Cobalt Blue Glass Body

SHADE MATERIAL SHOWN:

Linda Black Linen


SHADE SIZE:

H: 11" Dia: 15"

SWITCH:

On/Off Rocker Switch

LAMPING:

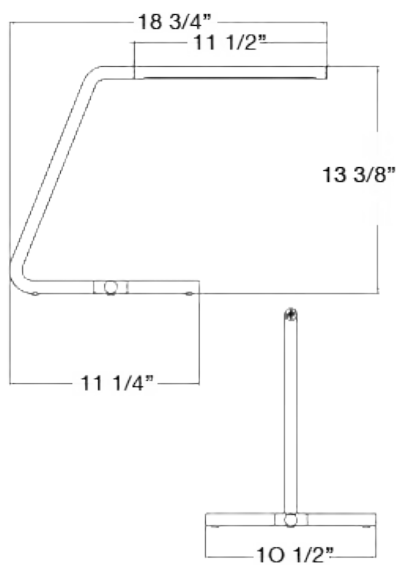
(1)  **Medium** Base Socket, for LED A Style

Bulb or Self-Ballasted CFL





MODEL 4331



DIMENSIONS:

H: 13 3/8" D: 18 3/4" W: 10 1/2"

FINISH SHOWN:

Champagne Bronze


SHADE MATERIAL SHOWN:

White Frosted Acrylic Diffuser

SWITCH:

Touch Activated

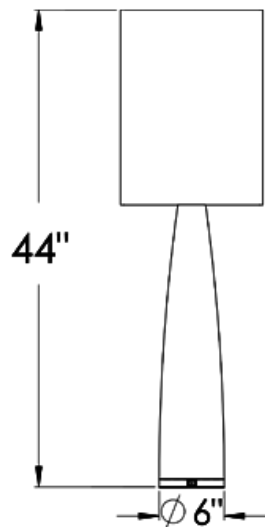
LAMPING:

 **L6-27K** 6 Watts, 2700K LED





MODEL 4333



DIMENSIONS:

H: 44" Dia: 13 1/8"

FINISH SHOWN:

Opal Matte Resin

PC Polished Chrome

SHADE MATERIAL SHOWN:

Opal Matte Acrylic

with an Opal Matte Acrylic Top and Bottom Diffuser


SHADE SIZE:

H: 18" Dia: 13 1/8"

SWITCH:

On/Off Rocker Switch

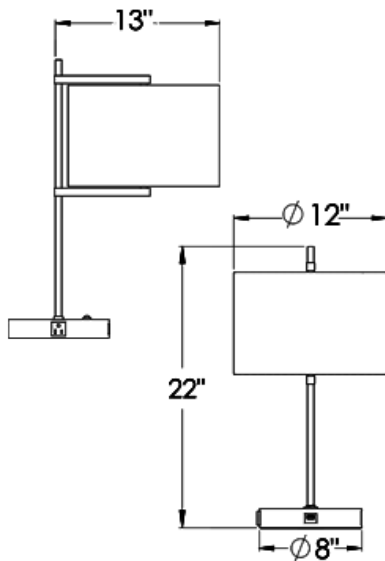
LAMPING:

(2)  **Medium** Base Socket, for LED A Style Bulb or Self-Ballasted CFL





MODEL 4334



DIMENSIONS:

H: 22" D: 16 3/4" W: 12"

FINISH SHOWN:

PC Polished Chrome

SHADE MATERIAL SHOWN:

Hardback Laura White Linen

SHADE SIZE:

H: 8" Dia: 12"

SWITCH:


On/Off Rocker Switch

ADDITIONAL FEATURES:

2 Convenience Outlets

1 USB Port

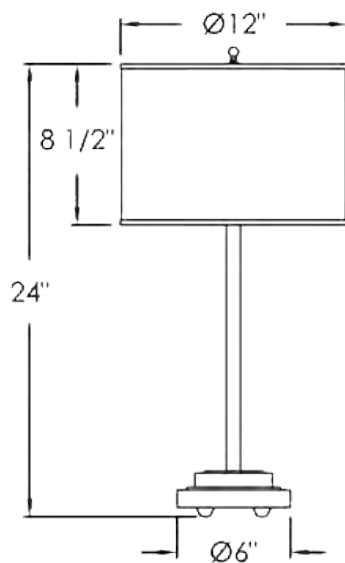
LAMPING:

(1)  GU24 Base Socket, for LED A Style Bulb or Self-Ballasted CFL





MODEL 4339



DIMENSIONS:

H: 24" Dia: 12"

FINISH SHOWN:

BS Brushed Stainless Steel

SHADE MATERIAL SHOWN:

Natural Woven Wood


SHADE SIZE:

H: 8 1/2" Dia: 12"

SWITCH:

On/Off Switch at Socket

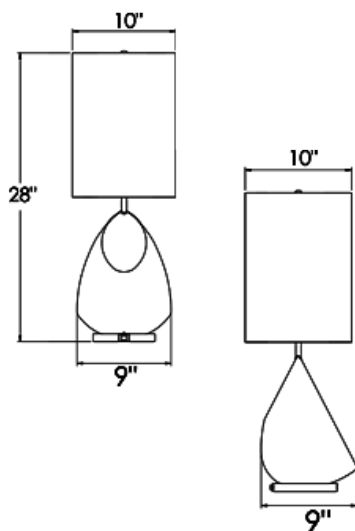
LAMPING:

(1)  **Medium** Base Socket, for LED A Style Bulb or Self-Ballasted CFL





MODEL 4343



DIMENSIONS:

H: 28" D: 9" W: 9"

FINISH SHOWN:

BB Brushed Brass

SHADE MATERIAL SHOWN:

Canvas White Linen


SHADE SIZE:

H: 14" D: 10" W: 10"

SWITCH:

On/Off Rocker Switch

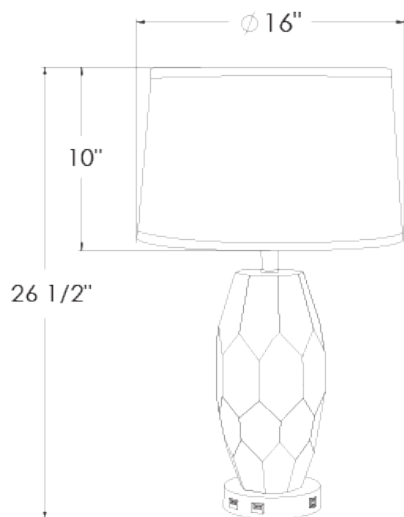
LAMPING:

(1)  **Medium** Base Socket, for LED A Style Bulb or Self-Ballasted CFL





MODEL 4345



DIMENSIONS:

H: 10" Dia: 16"

FINISH SHOWN:

Translucent Amber Resin

SHADE MATERIAL SHOWN:

CD Ivory Linen

SHADE SIZE:

H: 10" Dia: 16"

SWITCH:


On/Off Rocker Switch at Base

ADDITIONAL FEATURES:

1 Convenience Outlet

2 USB Ports

LAMPING:

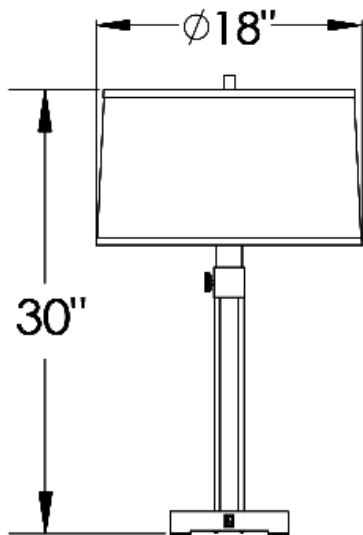
(2)  **Medium** Base Socket, for LED A Style

Bulb or Self-Ballasted CFL





MODEL 4346-M1



DIMENSIONS:

H: 30" Dia: 18"

FINISH SHOWN:

Matte Black

WW Walnut Wood

SHADE MATERIAL SHOWN:

Hardback Canvas White Linen W/ Self Fold Edge Top
& Bottom


SHADE SIZE:

H: 10 1/2" Dia: 18"

SWITCH:

On/Off Rocker Switch

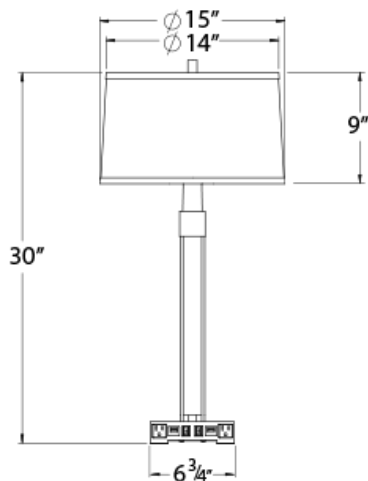
LAMPING:

(2)  **Medium** Base Socket, for LED A Style
Bulb or Self-Ballasted CFL





MODEL 4346



DIMENSIONS:

H: 30" Dia: 15"

FINISH SHOWN:

BS Blackened Steel

SHADE MATERIAL SHOWN:

White Burlap Linen

SHADE SIZE:

H: 9" Dia: 15"

SWITCH:


(2) On/Off Rocker Switch at Base

ADDITIONAL FEATURES:

2 Convenience Outlets

2 USB Ports

LAMPING:

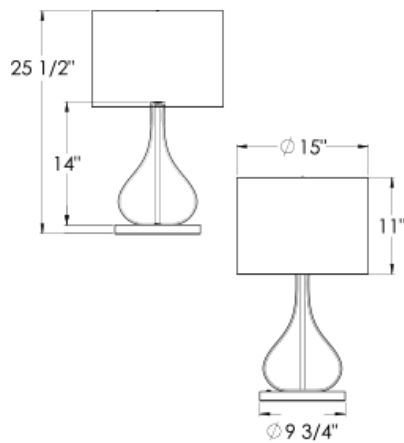
(2)  **Medium** Base Socket, for LED A Style

Bulb or Self-Ballasted CFL





MODEL 4347



DIMENSIONS:

H: 25 1/2" Dia: 15"

FINISH SHOWN:

BN Brushed Nickel

Blue Glass

SHADE MATERIAL SHOWN:

Canvas White Linen


SHADE SIZE:

H: 11" Dia: 15"

SWITCH:

On/Off Rocker Switch at Base

LAMPING:

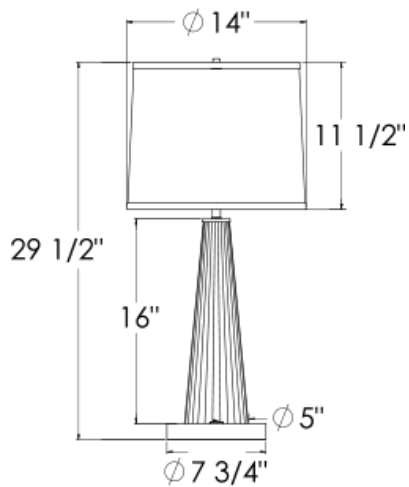
(1)  **Medium** Base Socket, for LED A Style

Bulb or Self-Ballasted CFL





MODEL 4350



DIMENSIONS:

H: 29 1/2" Dia: 14"

FINISH SHOWN:

BN Brushed Nickel

Clear Glass

SHADE MATERIAL SHOWN:

Canvas White Linen


SHADE SIZE:

H: 11 1/2" Dia: 14"

SWITCH:

On/Off Rocker Switch at Base

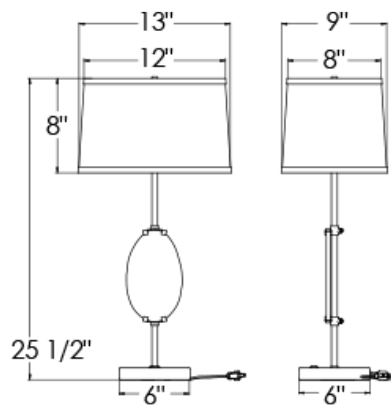
LAMPING:

(1)  **GU24** Base Socket, for LED A Style Bulb
or Self-Ballasted CFL





MODEL 4354



DIMENSIONS:

H: 25 1/2" D: 9" W: 13"

FINISH SHOWN:

PN Polished Nickel
w/Natural Agate Stone

SHADE MATERIAL SHOWN:

Westfield White Hardback Linen


SHADE SIZE:

H: 8" D: 9" W: 13"

SWITCH:

3-Way Rocker Switch

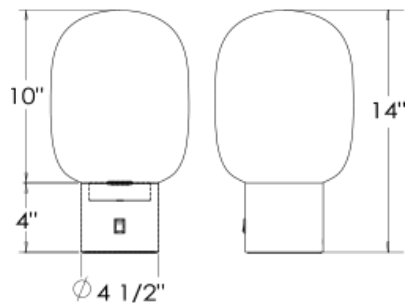
LAMPING:

(2)  **Medium** Base Socket, for LED A Style
Bulb or Self-Ballasted CFL





MODEL 4357



DIMENSIONS:

H: 14" Dia: 8"

FINISH SHOWN:

BS Brushed Stainless Steel

SHADE MATERIAL SHOWN:

Opal Matte Glass


SHADE SIZE:

H: 10" Dia: 8"

SWITCH:

On/Off Rocker Switch

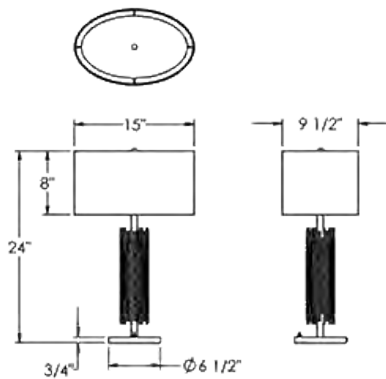
LAMPING:

(1)  **GU24** Base Socket, for LED A Style Bulb
or Self-Ballasted CFL





MODEL 4358



DIMENSIONS:

H: 24" D: 9 1/2" W: 15"

FINISH SHOWN:

SN Satin Nickel

SHADE MATERIAL SHOWN:

CD Ivory Linen


SHADE SIZE:

H: 8" D: 9 1/2" W: 15"

SWITCH:

On/Off Push Button

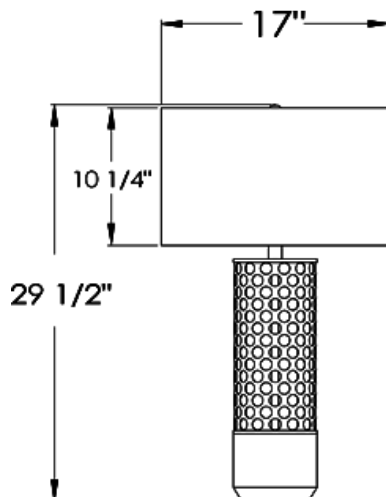
LAMPING:

(2)  **GU24** Base Socket, for LED A Style Bulb or Self-Ballasted CFL





MODEL 4362



DIMENSIONS:

H: 29 1/2" Dia: 17"

FINISH SHOWN:

ANTB Antique Brass

SHADE MATERIAL SHOWN:

Hardback Shantung White White Silk Hand Tucked
Edges Top & Bottom


SHADE SIZE:

H: 10 1/4" Dia: 17"

SWITCH:

3-Way Rotary Switch At Socket

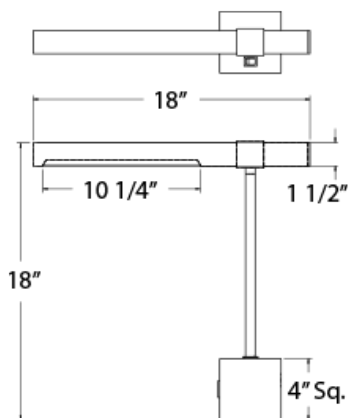
LAMPING:

(1)  **Medium** Base Socket, for LED A Style
Bulb or Self-Ballasted CFL





MODEL 4367



DIMENSIONS:

H: 18" D: 4" W: 18"

FINISH SHOWN:

ABZ Antique Bronze

PDMB Powder Coated Matte Black

SHADE MATERIAL SHOWN:

Opal Acrylic Diffuser


SWITCH:

On/Off Rocker Switch at Base

ADDITIONAL FEATURES:

1 Convenience Outlet

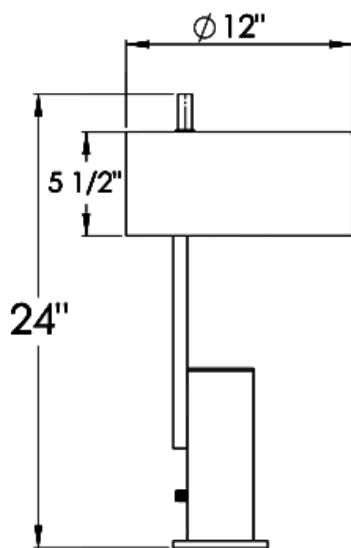
LAMPING:

 **L9-27K** 9 Watts, 2700K LED





MODEL 4371-CR



DIMENSIONS:

H: 24" Dia: 12"

FINISH SHOWN:

PC Polished Chrome

Grey Wood

SHADE MATERIAL SHOWN:

Hardback Canvas White Linen Hand Tucked Edges Top
& Bottom


SHADE SIZE:

H: 5 1/2" Dia: 12"

SWITCH:

Rotary Dimmer at Socket

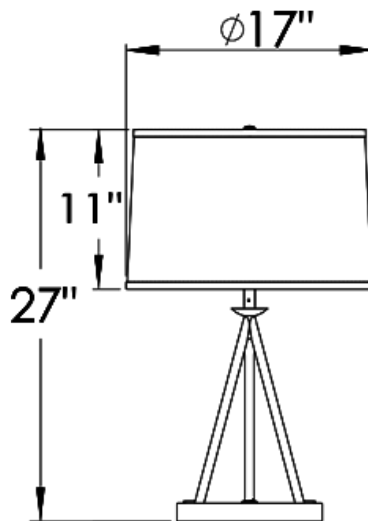
LAMPING:

(2)  **Medium** Base Socket, for LED A Style
Bulb or Self-Ballasted CFL





MODEL 4377



DIMENSIONS:

H: 27" Dia: 17"

FINISH SHOWN:

PDMB Powder Coated Matte Black

SHADE MATERIAL SHOWN:

Linda Cream Hardback with an Opal Matte Acrylic Top and Bottom Diffuser

SHADE SIZE:

H: 11" Dia: 17"


SWITCH:

On/Off Rocker Switch

ADDITIONAL FEATURES:

2 Convenience Outlets

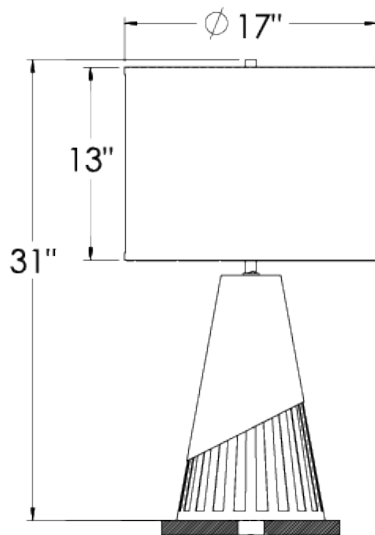
LAMPING:

(2)  **Medium** Base Socket, for LED A Style Bulb or Self-Ballasted CFL





MODEL 4380



DIMENSIONS:

H: 31" Dia: 17"

FINISH SHOWN:

Faux Wood Medium Walnut

ABZ Antique Bronze

SHADE MATERIAL SHOWN:

Brussels White Linen Opal Matte Acrylic


SHADE SIZE:

H: 13" Dia: 17"

SWITCH:

On/Off Rocker Switch

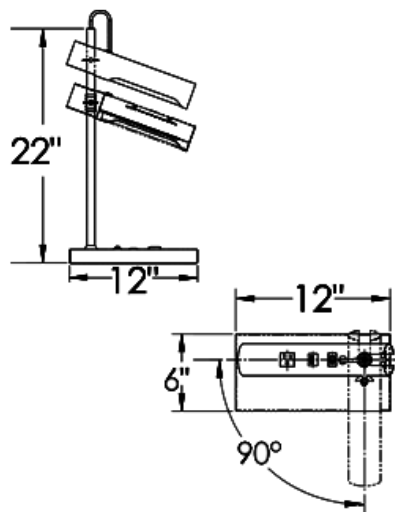
LAMPING:

(2)  **Medium** Base Socket, for LED A Style Bulb or Self-Ballasted CFL





MODEL 4383



DIMENSIONS:

H: 22" D: 12" W: 6"

FINISH SHOWN:

PDMB Powder Coated Matte Black

ANTB Antique Brass

SHADE MATERIAL SHOWN:

Opal Matte Acrylic Diffuser


SWITCH:

On/Off Rocker Switch

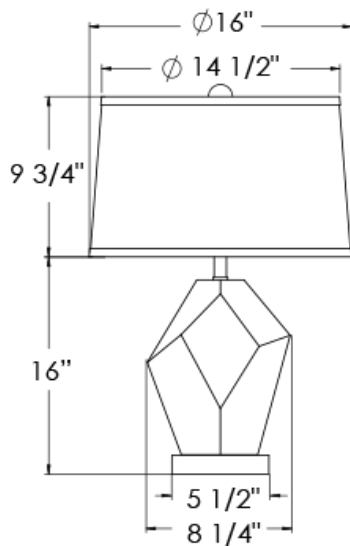
1 USB Port

1 Convenience Outlet

LAMPING:

(1)  **L8-27K** 8 Watts, 2700K LED





DIMENSIONS:

H: 26 3/4" D: 5 1/2" W: 8 1/4"

FINISH SHOWN:

PC Polished Chrome

Precision-cut Faceted Crystal Body

SHADE MATERIAL SHOWN:

Canvas White Linen


SHADE SIZE:

H: 9 3/4" Dia: 16"

SWITCH:

Rotary Dimmer Switch at Socket

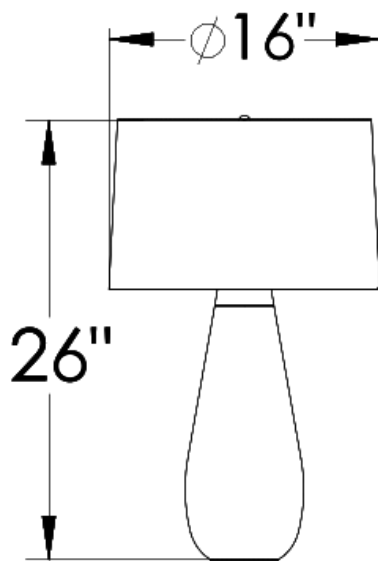
LAMPING:

(1)  **Medium** Base Socket, for LED A Style

Bulb or Self-Ballasted CFL



MODEL 4385



DIMENSIONS:

H: 26" Dia: 16"

FINISH SHOWN:

ANTB Antique Brass

GL Hand Blown Glass

SHADE MATERIAL SHOWN:

Linda Black Linen


SHADE SIZE:

H: 26" Dia: 16"

SWITCH:

Full Range Dimmer

LAMPING:

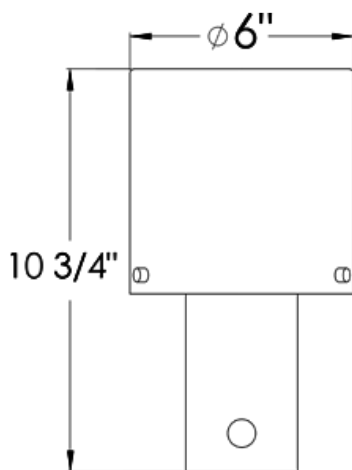
(1)  **Medium** Base Socket, for LED A Style

Bulb or Self-Ballasted CFL





MODEL 4386



DIMENSIONS:

H: 10 3/4" Dia: 6"

FINISH SHOWN:

Satin Lacquered Brass

SHADE MATERIAL SHOWN:

Opal Matte Glass


SHADE SIZE:

H: 6" Dia: 6"

SWITCH:

Full Range Dimmer

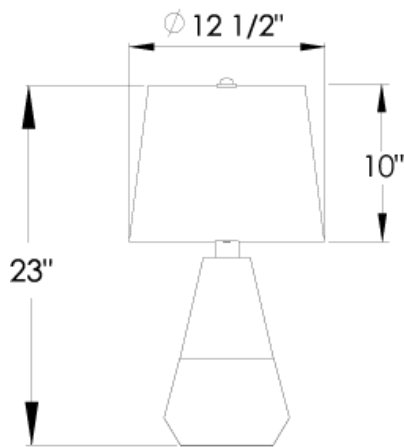
LAMPING:

(1)  **Medium** Base Socket, for LED A Style Bulb or Self-Ballasted CFL





MODEL 4389



DIMENSIONS:

H: 23" Dia: 12 1/2"

FINISH SHOWN:

Brown Wood #2

Cast Concrete


SHADE MATERIAL SHOWN:

Brussels White Linen

SWITCH:

On/Off Micro Rocker Switch

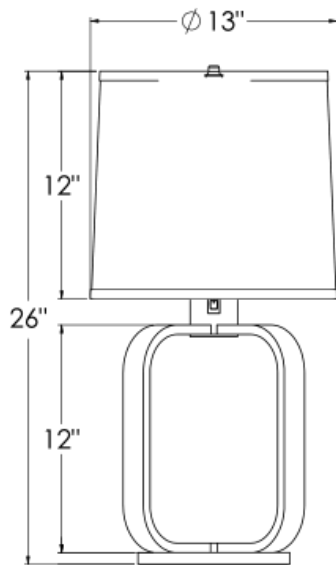
LAMPING:

(1)  **Medium** Base Socket, for LED A Style
Bulb or Self-Ballasted CFL





MODEL 4390



DIMENSIONS:

H: 26" Dia: 13"

FINISH SHOWN:

Powder Coated Metallic Gold

SHADE MATERIAL SHOWN:

Laura White Linen


SHADE SIZE:

H: 12" Dia: 13"

SWITCH:

On/Off Rocker Switch

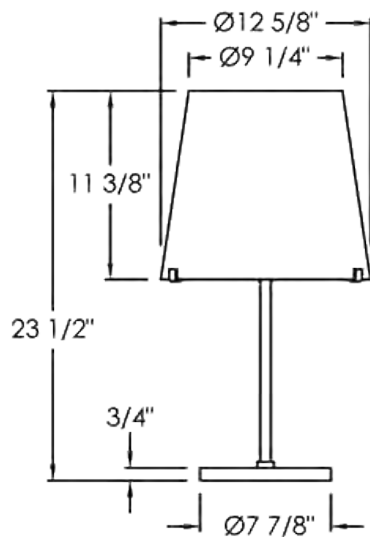
LAMPING:

(1)  **GU24** Base Socket, for LED A Style Bulb or Self-Ballasted CFL





MODEL 4401



DIMENSIONS:

H: 23 1/2" Dia: 12 5/8"

FINISH SHOWN:

BN Brushed Nickel

SHADE MATERIAL SHOWN:

Opal Matte Acrylic


SHADE SIZE:

H: 11 3/8" Dia: 12 5/8"

SWITCH:

White In-Line Dimmer

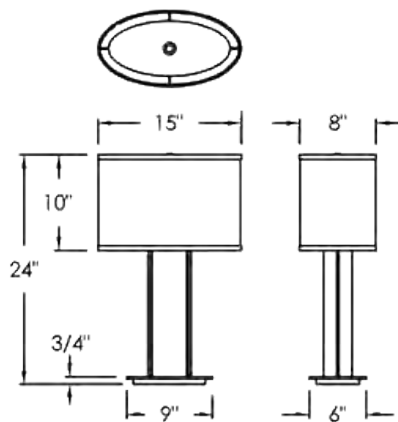
LAMPING:

(1)  **Medium** Base Socket, for LED A Style Bulb or Self-Ballasted CFL





MODEL 4404



DIMENSIONS:

H: 24" D: 8" W: 15"

FINISH SHOWN:

SN Satin Nickel

SHADE MATERIAL SHOWN:

CD Ivory Linen


SHADE SIZE:

H: 10" D: 8" W: 15"

SWITCH:

On/Off Turn Knob at Socket

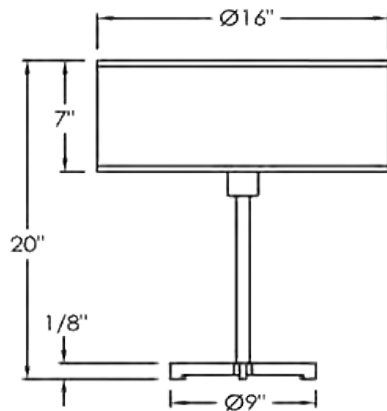
LAMPING:

(1)  **Medium** Base Socket, for LED A Style Bulb or Self-Ballasted CFL





MODEL 4414



DIMENSIONS:

H: 20" Dia: 16"

FINISH SHOWN:

SN Satin Nickel

SHADE MATERIAL SHOWN:

Metal


SHADE SIZE:

H: 7" Dia: 16"

SWITCH:

In-Line Dimmer

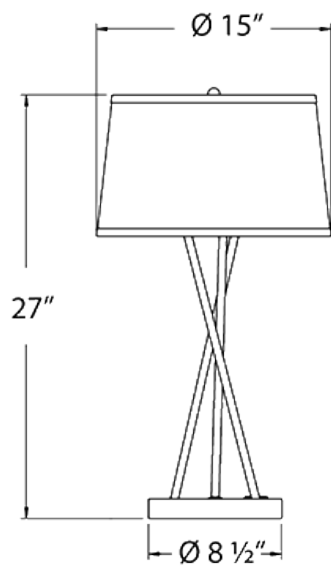
LAMPING:

(2)  **Medium** Base Socket, for LED A Style Bulb or Self-Ballasted CFL





MODEL 4424



DIMENSIONS:

H: 27" Dia: 15"

FINISH SHOWN:

SN Satin Nickel

SHADE MATERIAL SHOWN:

White Sandstone Linen


SHADE SIZE:

H: 9" Dia: 15"

SWITCH:

3-Way Rocker Switch

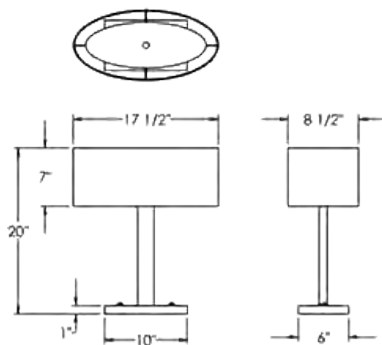
LAMPING:

(2)  **GU24** Base Socket, for LED A Style Bulb
or Self-Ballasted CFL





MODEL 4427-M1



DIMENSIONS:

H: 7" D: 8 1/2" W: 17 1/2"

FINISH SHOWN:

SN Satin Nickel

SHADE MATERIAL SHOWN:

Laura White Linen

SHADE SIZE:

H: 7" D: 8 1/2" W: 17 1/2"

SWITCH:


On/Off Rocker Switch at Base

ADDITIONAL FEATURES:

1 Convenience Outlet

1 USB Port

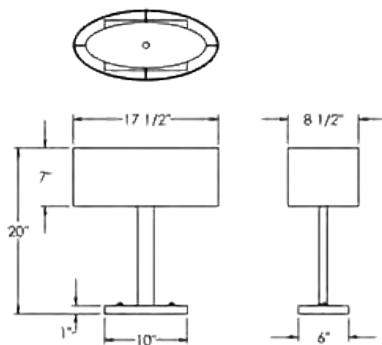
LAMPING:

(2)  GU24 Base Socket, for LED A Style Bulb
or Self-Ballasted CFL





MODEL 4427



DIMENSIONS:

H: 20" D: 8 1/2" W: 17 1/2"

FINISH SHOWN:

SN Satin Nickel

SHADE MATERIAL SHOWN:

Laura White Linen


SHADE SIZE:

H: 7" D: 8 1/2" W: 17 1/2"

SWITCH:

2 On/Off Rockers at Base

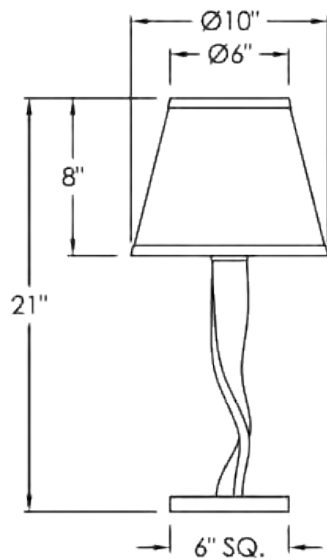
LAMPING:

(2)  **GU24** Base Socket, for LED A Style Bulb or Self-Ballasted CFL





MODEL 4428



DIMENSIONS:

H: 21" Dia: 10"

FINISH SHOWN:

PN Polished Nickel

SHADE MATERIAL SHOWN:

CD Ivory Linen


SHADE SIZE:

H: 8" Dia: 10"

SWITCH:

On/Off Switch at Socket

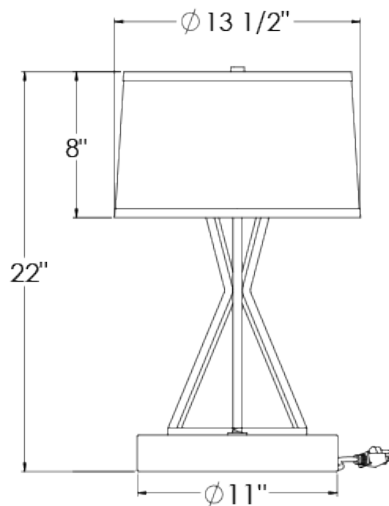
LAMPING:

(1)  **Medium** Base Socket, for LED A Style Bulb or Self-Ballasted CFL





MODEL 4429



DIMENSIONS:

H: 22" Dia: 13 1/2"

FINISH SHOWN:

PDBL Powder Coated Black

ALSO AVAILABLE IN:

PC Polished Chrome

SHADE MATERIAL SHOWN:

Canvas White Linen

SHADE SIZE:

H: 8" Dia: 13 1/2"

SWITCH:


On/Off Rocker Switch at Base

ADDITIONAL FEATURES:

1 Convenience Outlet

2 USB Ports

LAMPING:

(2)  **Medium** Base Socket, for LED A Style



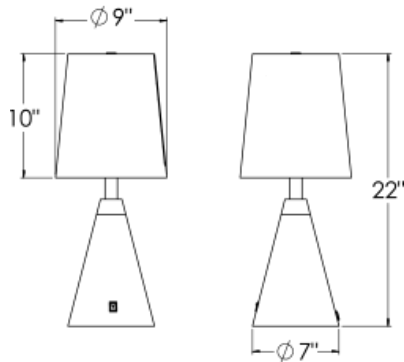
MODEL 4429

Bulb or Self-Ballasted CFL





MODEL 4437



DIMENSIONS:

H: 22" Dia: 9"

FINISH SHOWN:

AGB Aged Brass

Faux Concrete

SHADE MATERIAL SHOWN:

Canvas White Linen


SHADE SIZE:

H: 10" Dia: 9"

SWITCH:

On/Off Rocker Switch

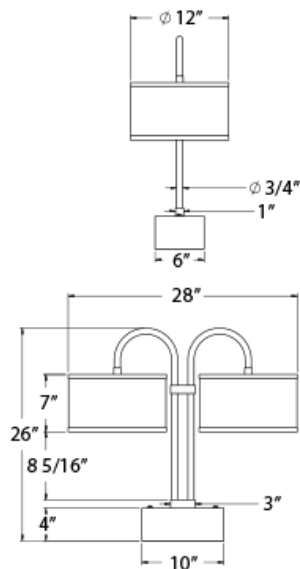
LAMPING:

(1)  **GU24** Base Socket, for LED A Style Bulb
or Self-Ballasted CFL





MODEL 4439-2



DIMENSIONS:

H: 26 " D: 12 " W: 28 "

FINISH SHOWN:

Polished Smoke Nickel

SHADE MATERIAL SHOWN:

Canvas White Linen with an Opal Matte Acrylic Top Diffuser


SHADE SIZE:

H: 7" Dia: 12"

SWITCH:

(2) On/Off Rocker Switch

LAMPING:

(2)  **GU24** Base Socket, for LED A Style Bulb or Self-Ballasted CFL





MODEL 4442



DIMENSIONS:

H: 31 1/2" Dia: 10"

FINISH SHOWN:

PDBL Powder Coated Black

SHADE MATERIAL SHOWN:


PDBL Powder Coated Black

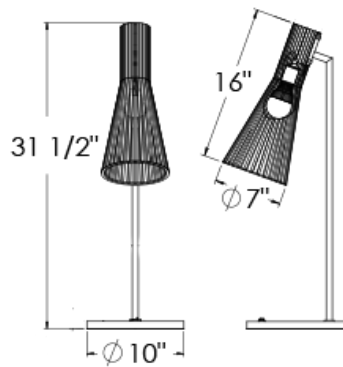
Oak Wood

SWITCH:

On/Off Rocker Switch

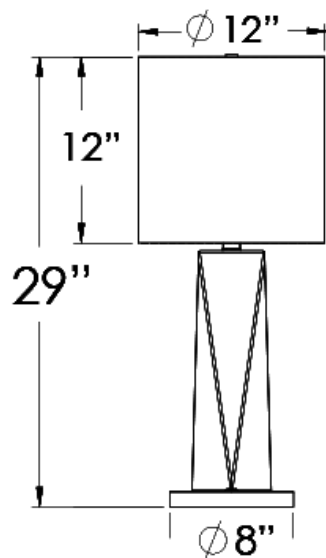
LAMPING:

(1)  **Medium** Base Socket, for LED A Style Bulb or Self-Ballasted CFL





MODEL 4445



DIMENSIONS:

H: 29" Dia: 8"

FINISH SHOWN:

ANTB Antique Brass

SHADE MATERIAL SHOWN:

Hardback Shantung White


SHADE SIZE:

H: 12" Dia: 12"

SWITCH:

On/Off Rocker Switch

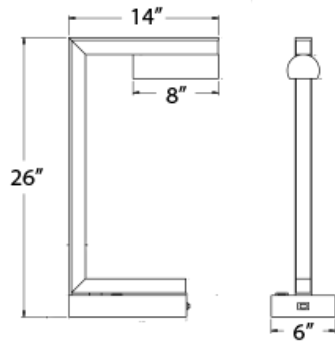
LAMPING:

(2)  **Medium** Base Socket, for LED A Style Bulb or Self-Ballasted CFL





MODEL 4448



DIMENSIONS:

H: 26" D: 14" W: 6"

FINISH SHOWN:

ANTB Antique Brass

Gray Ash Wood

SHADE MATERIAL SHOWN:

ANTB Antique Brass

SWITCH:


On/Off Rocker Switch

ADDITIONAL FEATURES:

1 Convenience Outlet

1 USB Port

LAMPING:

(1)  **GU24** Base Socket, for LED A Style Bulb
or Self-Ballasted CFL





MODEL 4449



DIMENSIONS:

H: 19" D: 10 5/8" W: 7"

FINISH SHOWN:

ANTB Antique Brass

ALSO AVAILABLE IN:

PC Polished Chrome

PDMB Powder Coated Matte Black


SHADE MATERIAL SHOWN:

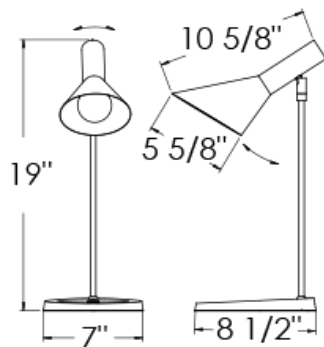
ANTB Antique Brass

SWITCH:

On/Off Rocker Switch at Base

LAMPING:

(1)  **Medium** Base Socket, for LED A Style Bulb or Self-Ballasted CFL





MODEL 4449-M1



DIMENSIONS:

H: 20 1/4" D: 10 1/2" W: 7"

FINISH SHOWN:

ANTB Antique Brass

ALSO AVAILABLE IN:

PC Polished Chrome

SHADE MATERIAL SHOWN:

Metal

SHADE SIZE:

H: 10 1/2" Dia: 5 5/8"


SWITCH:

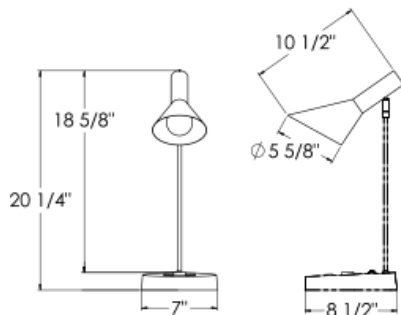
On/Off Rocker Switch

1 Convenience Outlet

2 USB Ports

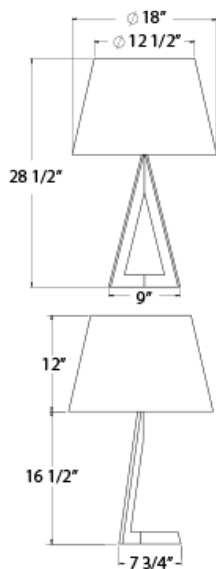
LAMPING:

(1)  **Medium** Base Socket, for LED A Style Bulb or Self-Ballasted CFL





MODEL 4467



DIMENSIONS:

H: 28 1/2" D: 7 3/4" W: 9"

FINISH SHOWN:

AP Antique Pewter

SHADE MATERIAL SHOWN:

Linda Cream Linen


SHADE SIZE:

H: 12" Dia: 18"

SWITCH:

On/Off Rocker Switch Below Socket

LAMPING:

(1)  **Medium** Base Socket, for LED A Style Bulb or Self-Ballasted CFL





MODEL 4472



DIMENSIONS:

H: 24 3/8" D: 16 1/2" W: 12"

FINISH SHOWN:

ORBZ Oil Rubbed Bronze

SHADE MATERIAL SHOWN:

CD Ivory Linen

SHADE SIZE:

H: 8" Dia: 12"


SWITCH:

On/Off Rocker Switch at Base

ADDITIONAL FEATURES:

1 Convenience Outlet

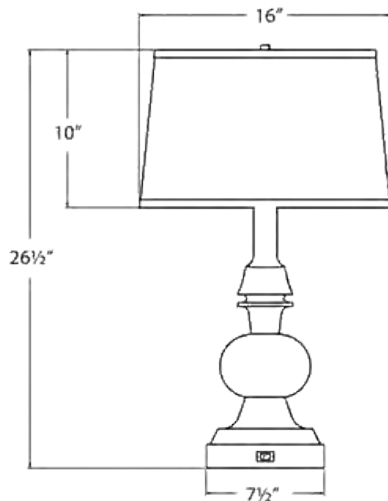
LAMPING:

(1)  **Medium** Base Socket, for LED A Style Bulb or Self-Ballasted CFL





MODEL 4474



DIMENSIONS:

H: 26 1/2" Dia: 16"

FINISH SHOWN:

PN Polished Nickel

SHADE MATERIAL SHOWN:

Laura White Linen

SHADE SIZE:

H: 10" Dia: 16"


SWITCH:

On/Off Rocker Switch

ADDITIONAL FEATURES:

2 Convenience Outlets

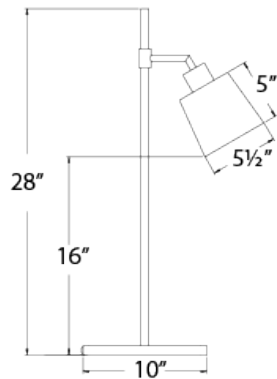
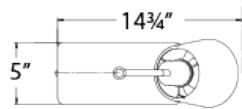
LAMPING:

(1)  **Medium** Base Socket, for LED A Style Bulb or Self-Ballasted CFL





MODEL 4476



DIMENSIONS:

H: 28" D: 5" W: 14 3/4"

FINISH SHOWN:

SB Satin Brass

BS Brushed Stainless Steel

SHADE MATERIAL SHOWN:

Metal


SHADE SIZE:

H: 5" Dia: 5 1/2"

SWITCH:

On/Off Rocker Switch at Base

LAMPING:

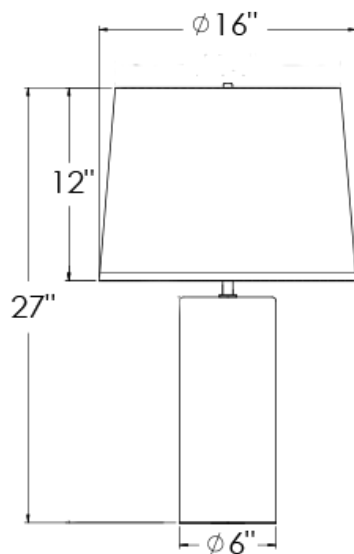
(1)  **Medium** Base Socket, for LED A Style

Bulb or Self-Ballasted CFL





MODEL 4493



DIMENSIONS:

H: 27" Dia: 16"

FINISH SHOWN:

BS Brushed Stainless Steel


SHADE SIZE:

H: 12" Dia: 16"

SWITCH:

On/Off Rocker Switch Below Socket

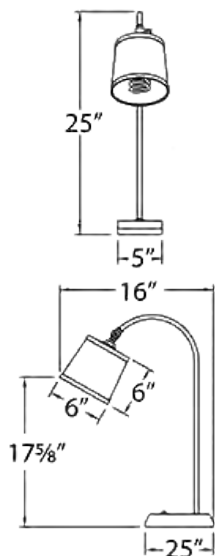
LAMPING:

(1)  **GU24** Base Socket, for LED A Style Bulb or Self-Ballasted CFL





MODEL 4498



DIMENSIONS:

H: 25" D: 16" W: 6"

FINISH SHOWN:

ORBZ Oil Rubbed Bronze

SHADE MATERIAL SHOWN:

CD Ivory Linen


SHADE SIZE:

H: 6" Dia: 6"

SWITCH:

On/Off Rocker Switch at Base

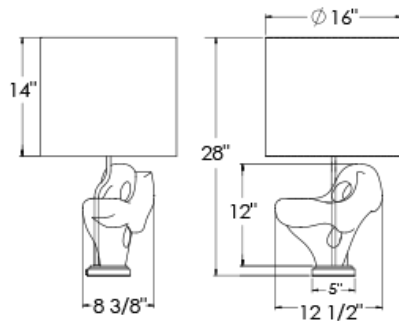
LAMPING:

(1)  **Medium** Base Socket, for LED A Style Bulb or Self-Ballasted CFL





MODEL 4500



DIMENSIONS:

H: 28" Dia: 16"

FINISH SHOWN:

Satin Smoked Chrome

Super Clear Resin

SHADE MATERIAL SHOWN:

Laura White Linen


SHADE SIZE:

H: 14" Dia: 16"

SWITCH:

On/Off Rotary Switch

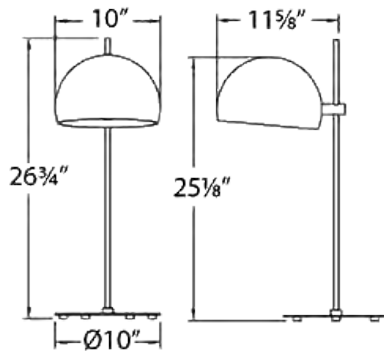
LAMPING:

(1)  GU24 Base Socket, for LED A Style Bulb
or Self-Ballasted CFL





MODEL 4501



DIMENSIONS:

H: 26 3/4" D: 11 5/8" W: 10"

FINISH SHOWN:

PC Polished Chrome

SHADE MATERIAL SHOWN:

Opal Matte Acrylic


SHADE SIZE:

H: 6 1/2" Dia: 10"

SWITCH:

In-Line Dimmer

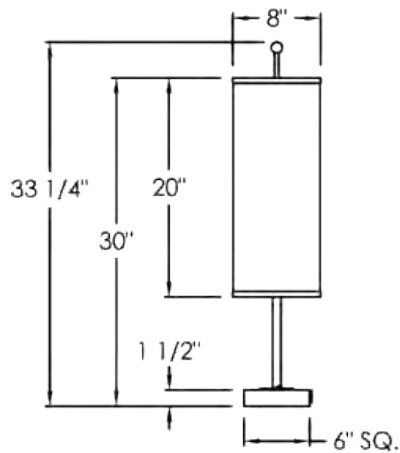
LAMPING:

(1)  **Medium** Base Socket, for LED A Style Bulb or Self-Ballasted CFL





MODEL 4514



DIMENSIONS:

H: 33 1/4" D: 8" W: 8"

FINISH SHOWN:

SN Satin Nickel

SHADE MATERIAL SHOWN:

Hardback CD Ivory

SHADE SIZE:

H: 20" D: 8" W: 8"


SWITCH:

On/Off Rocker Switch at Base

ADDITIONAL FEATURES:

1 Convenience Outlet

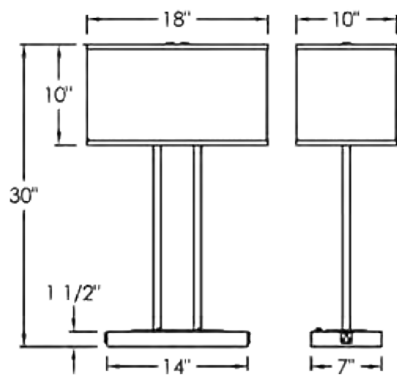
LAMPING:

(1)  **Medium** Base Socket, for LED A Style Bulb or Self-Ballasted CFL





MODEL 4516



DIMENSIONS:

H: 30" D: 10" W: 18"

FINISH SHOWN:

SN Satin Nickel

SHADE MATERIAL SHOWN:

CD Ivory Linen

SHADE SIZE:

H: 10" D: 10" W: 18"


SWITCH:

2 On/Off Rockers at Base

ADDITIONAL FEATURES:

2 Convenience Outlets

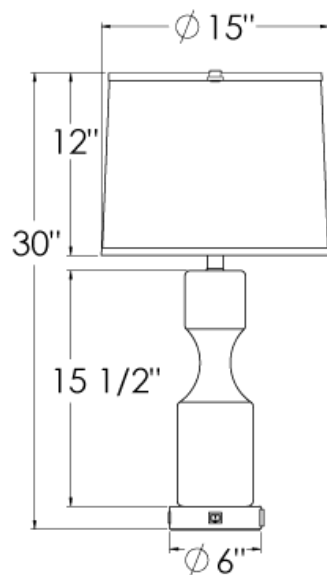
LAMPING:

(2)  **Medium** Base Socket, for LED A Style Bulb or Self-Ballasted CFL





MODEL 4519



DIMENSIONS:

H: 30" Dia: 15"

FINISH SHOWN:

PDBZ Powder Coated Bronze
Super Clear Resin

SHADE MATERIAL SHOWN:

Brussels White Linen

SHADE SIZE:

H: 12" Dia: 15"

SWITCH:


3-Way Rocker Switch

ADDITIONAL FEATURES:

1 Convenience Outlet

1 USB Port

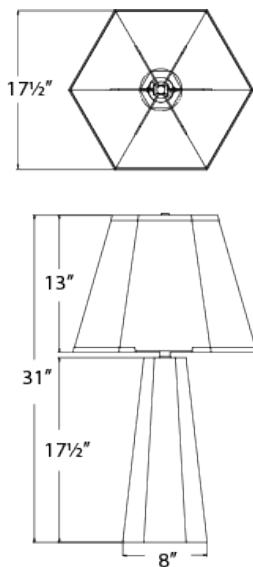
LAMPING:

(1)  **Medium** Base Socket, for LED A Style
Bulb or Self-Ballasted CFL





MODEL 4521



DIMENSIONS:

H: 31" Dia: 17 1/2"

FINISH SHOWN:

MBZ Model Bronze

SHADE MATERIAL SHOWN:

CD Ivory Linen


SHADE SIZE:

H: 13" Dia: 17 1/2"

SWITCH:

Push Through Switch at Socket

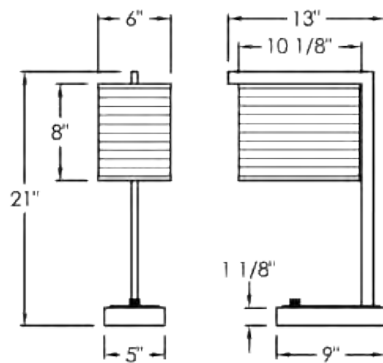
LAMPING:

(1)  **GU24** Base Socket, for LED A Style Bulb or Self-Ballasted CFL





MODEL 4522



DIMENSIONS:

H: 21" D: 13" W: 6"

FINISH SHOWN:

PC Polished Chrome

SHADE MATERIAL SHOWN:

Hardback with Kastlen Violen 488 Fabric


SHADE SIZE:

H: 8" D: 10 1/8" W: 6"

SWITCH:

On/Off Rotary Switch on Base

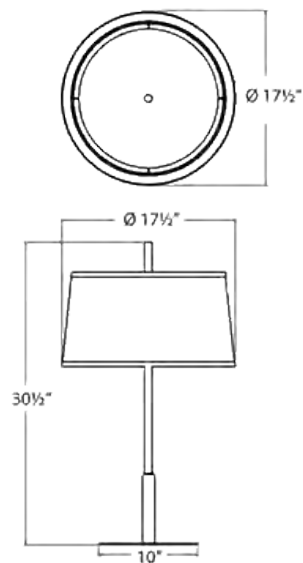
LAMPING:

(1)  **Medium** Base Socket, for LED A Style Bulb or Self-Ballasted CFL





MODEL 4523



DIMENSIONS:

H: $30\frac{1}{2}"$ Dia: $17\frac{1}{2}"$

FINISH SHOWN:

PC Polished Chrome

SHADE MATERIAL SHOWN:

White Canvas Linen with an Opal Matte Acrylic Top Diffuser


SHADE SIZE:

H: $9\frac{1}{2}"$ Dia: $17\frac{1}{2}"$

SWITCH:

In-Line Rocker

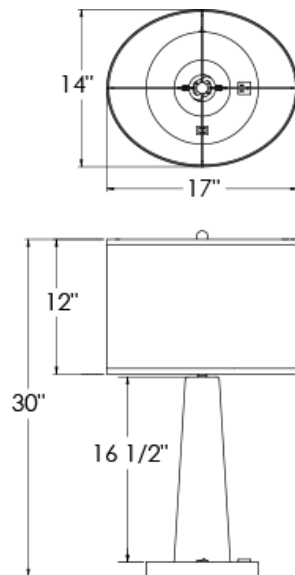
LAMPING:

(1)  **Medium** Base Socket, for LED A Style Bulb or Self-Ballasted CFL





MODEL 4526-Aqua



DIMENSIONS:

H: 30" D: 14" W: 17"

FINISH SHOWN:

SN Satin Nickel

BCH Brushed Chrome with Translucent Blue Resin

SHADE MATERIAL SHOWN:

CD Ivory

SHADE SIZE:


H: 12" D: 14" W: 17"

SWITCH:

On/Off Rocker Switch

1 Convenience Outlet

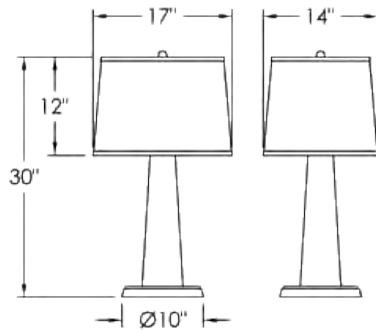
LAMPING:

(1)  **GU24** Base Socket, for LED A Style Bulb or Self-Ballasted CFL





MODEL 4526



DIMENSIONS:

H: 30" D: 14" W: 17"

FINISH SHOWN:

BN Brushed Nickel

SHADE MATERIAL SHOWN:

Linda Cream Linen

SHADE SIZE:

H: 12" D: 14" W: 17"


SWITCH:

Dimmer on Socket

ADDITIONAL FEATURES:

1 Convenience Outlet

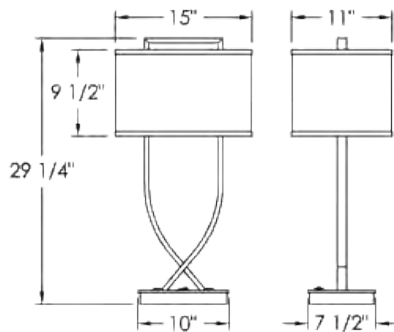
LAMPING:

(1)  **Medium** Base Socket, for LED A Style Bulb or Self-Ballasted CFL





MODEL 4527



DIMENSIONS:

H: 29 1/4" D: 11" W: 15"

FINISH SHOWN:

SN Satin Nickel

SHADE MATERIAL SHOWN:

Westfield White Hardback with an Opal Matte Acrylic Bottom Diffuser

SHADE SIZE:

H: 9 1/2" D: 11" W: 15"


SWITCH:

On/Off Rocker Switch at Base

ADDITIONAL FEATURES:

2 Convenience Outlets

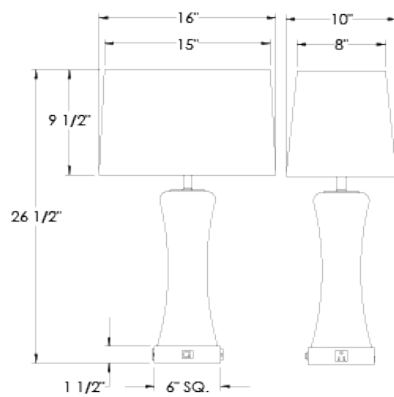
LAMPING:

(1)  **Medium** Base Socket, for LED A Style Bulb or Self-Ballasted CFL





MODEL 4528



DIMENSIONS:

H: 26 1/2" D: 10" W: 16"

FINISH SHOWN:

PC Polished Chrome

Translucent Amber Resin

SHADE MATERIAL SHOWN:

Linda Cream Linen

SHADE SIZE:

H: 9 1/2" D: 10" W: 16"


SWITCH:

On/Off Rocker Switch at Base

ADDITIONAL FEATURES:

2 Convenience Outlets

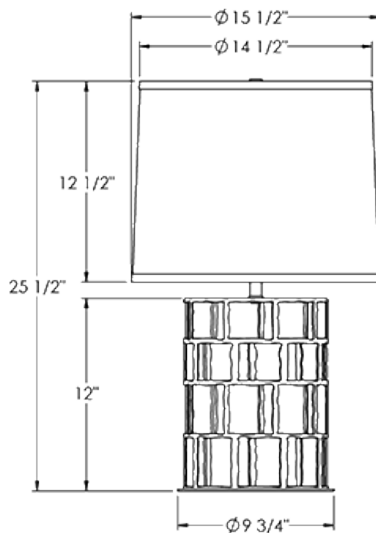
LAMPING:

(1)  **Medium** Base Socket, for LED A Style Bulb or Self-Ballasted CFL





MODEL 4530



DIMENSIONS:

H: 25 1/2" Dia: 15 1/2"

FINISH SHOWN:

BWI Black Wrought Iron

SHADE MATERIAL SHOWN:

Brussels Cream Linen


SHADE SIZE:

H: 12 1/2" Dia: 15 1/2"

SWITCH:

On/Off Rocker Switch Below Socket

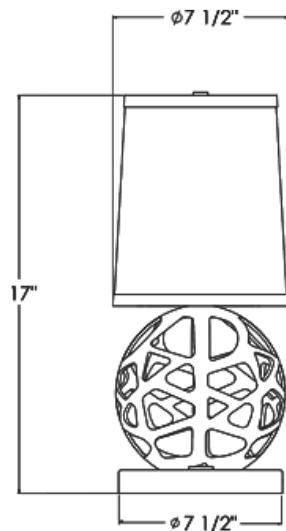
LAMPING:

(1)  **Medium** Base Socket, for LED A Style Bulb or Self-Ballasted CFL





MODEL 4531



DIMENSIONS:

H: 17" Dia: 7 1/2"

FINISH SHOWN:

PN Polished Nickel

SHADE MATERIAL SHOWN:

CD Ivory Linen


SHADE SIZE:

H: 9" Dia: 7 1/2"

SWITCH:

On/Off Rocker Switch at Base

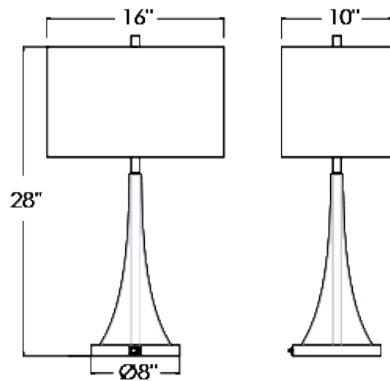
LAMPING:

(1)  **Medium** Base Socket, for LED A Style Bulb or Self-Ballasted CFL





MODEL 4533



DIMENSIONS:

H: 28" Dia: 8"

FINISH SHOWN:

PC Polished Chrome

Clear Sandblasted Glass

SHADE MATERIAL SHOWN:

CD Ivory


SHADE SIZE:

H: 10" D: 10" W: 16"

SWITCH:

On/Off Rocker Switch

LAMPING:

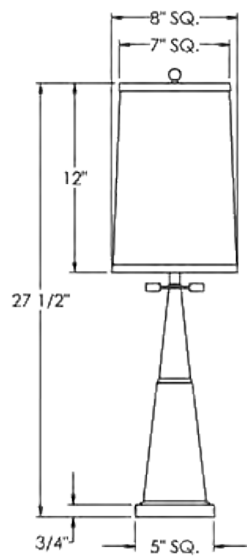
(2)  **Medium** Base Socket, for LED A Style

Bulb or Self-Ballasted CFL





MODEL 4535



DIMENSIONS:

H: 27 1/2" D: 8" W: 8"

FINISH SHOWN:

ANTB Antique Brass

SHADE MATERIAL SHOWN:

Laura White Linen


SHADE SIZE:

H: 12" D: 8" W: 8"

SWITCH:

On/Off Rocker Switch Below Socket

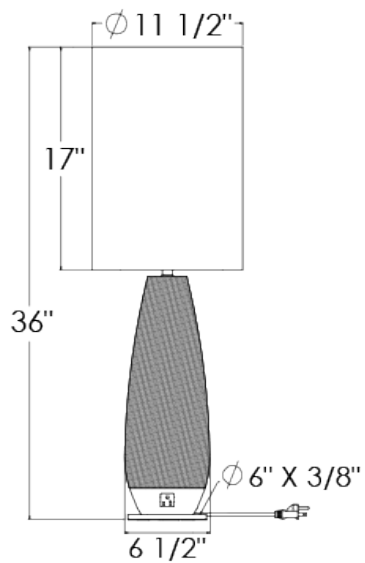
LAMPING:

(1)  **GU24** Base Socket, for LED A Style Bulb or Self-Ballasted CFL





MODEL 4538



DIMENSIONS:

H: 36" Dia: 11 1/2"

FINISH SHOWN:

PDBL Powder Coated Black

SHADE MATERIAL SHOWN:

Cream Linen

SHADE SIZE:


H: 17" Dia: 11 1/2"

SWITCH:

Full Range Dimmer

1 Convenience Outlet

LAMPING:

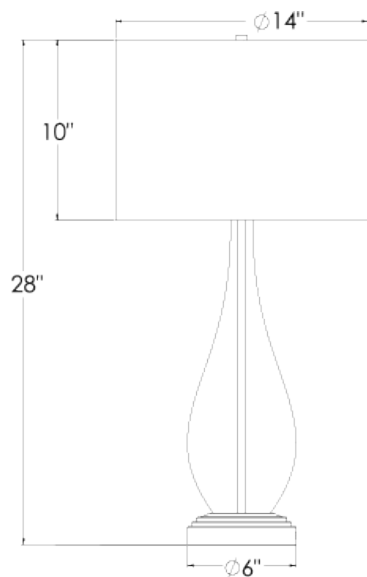
(1)  **Medium** Base Socket, for LED A Style

Bulb or Self-Ballasted CFL





MODEL 4539



DIMENSIONS:

H: 28" Dia: 14"

FINISH SHOWN:

Custom Brushed Brass

SHADE MATERIAL SHOWN:

Canvas White Linen


SHADE SIZE:

H: 10" Dia: 14"

SWITCH:

Full Range In-Line Dimmer

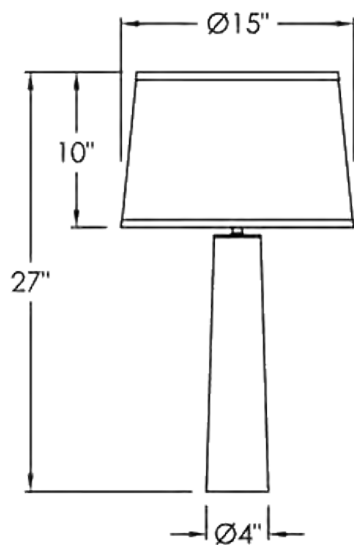
LAMPING:

(1)  **Medium** Base Socket, for LED A Style Bulb or Self-Ballasted CFL





MODEL 4543



DIMENSIONS:

H: 27" Dia: 15"

FINISH SHOWN:

PC Polished Chrome

SHADE MATERIAL SHOWN:

Canvas White Linen


SHADE SIZE:

H: 10" Dia: 15"

SWITCH:

On/Off Rocker Switch Below Socket

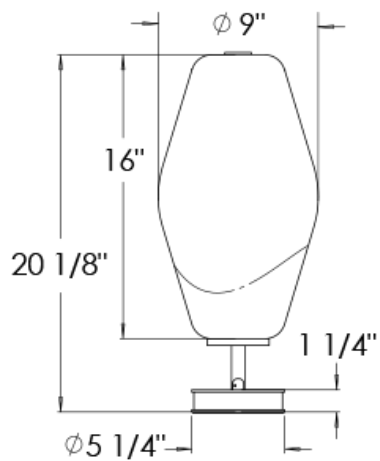
LAMPING:

(1)  **Medium** Base Socket, for LED A Style Bulb or Self-Ballasted CFL





MODEL 4555



DIMENSIONS:

H: $20 \frac{1}{8}''$ Dia: 9"

FINISH SHOWN:

BB Brushed Brass

SHADE MATERIAL SHOWN:

Frosted Glass


SHADE SIZE:

H: 16" Dia: 9"

SWITCH:

Rotary Dimmer at Socket

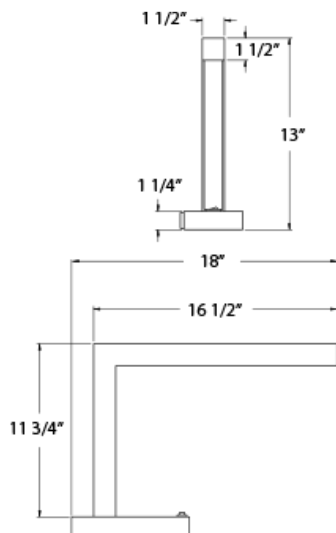
LAMPING:

(1)  **Medium** Base Socket, for LED A Style
Antique Bulb





MODEL 4559



DIMENSIONS:

H: 13" D: 18" W: 4"

FINISH SHOWN:

ORBZ Oil Rubbed Bronze


SHADE MATERIAL SHOWN:

Opal Matte Acrylic

SWITCH:

On/Off Rocker Switch at Base

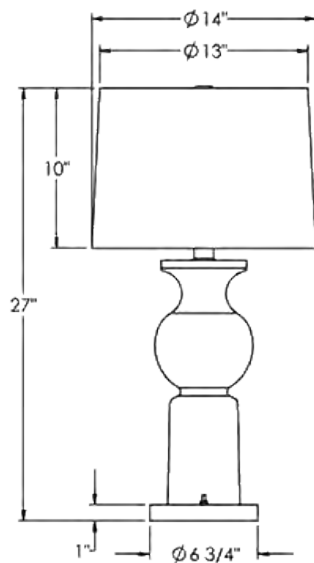
LAMPING:

 **L16-30K** 16 Watts, 3000K LED





MODEL 4572



DIMENSIONS:

H: 27" Dia: 14"

FINISH SHOWN:

DW Dark Walnut

BN Brushed Nickel

SHADE MATERIAL SHOWN:

Laura White Linen


SHADE SIZE:

H: 10" Dia: 14"

SWITCH:

4 Way Push Switch at Base

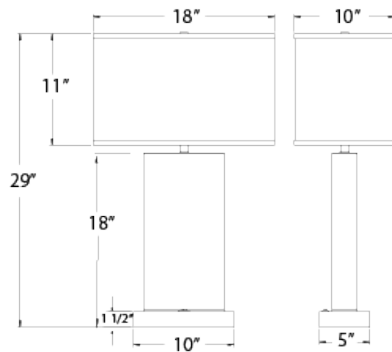
LAMPING:

(1)  **Medium** Base Socket, for LED A Style Bulb or Self-Ballasted CFL





MODEL 4577



DIMENSIONS:

H: 29" D: 10" W: 18"

FINISH SHOWN:

ANTB Antique Brass

White Marble

SHADE MATERIAL SHOWN:

CD Ivory Linen


SHADE SIZE:

H: 11" D: 10" W: 18"

SWITCH:

On/Off Rocker Switch at Base

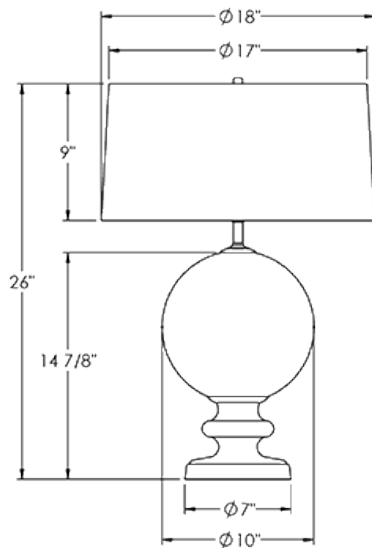
LAMPING:

(2)  **Medium** Base Socket, for LED A Style Bulb or Self-Ballasted CFL





MODEL 4578



DIMENSIONS:

H: 26" Dia: 18"

FINISH SHOWN:

Natural Tan Travertine

SHADE MATERIAL SHOWN:

Laura White Linen


SHADE SIZE:

H: 9" Dia: 18"

SWITCH:

On/Off Rocker at Outlet

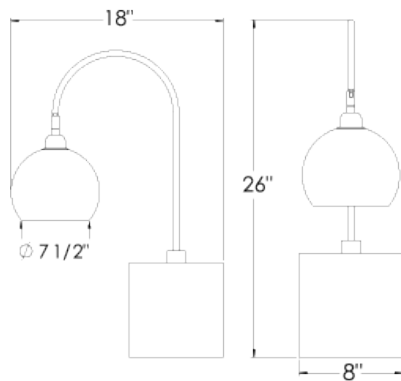
LAMPING:

(1)  **Medium** Base Socket, for LED A Style Bulb or Self-Ballasted CFL





MODEL 4579



DIMENSIONS:

H: 26" D: 18" W: 8"

FINISH SHOWN:

BN Brushed Nickel

WCA White Cast Alabaster

SHADE MATERIAL SHOWN:

Opal Matte Glass


SHADE SIZE:

H: 7 1/2" Dia: 7 1/2"

SWITCH:

On/Off Rocker Switch at Base

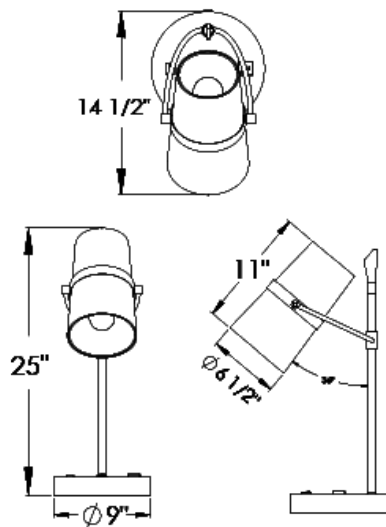
LAMPING:

(1)  **Medium** Base Socket, for LED A Style Bulb or Self-Ballasted CFL





MODEL 4581-M1-BLK



DIMENSIONS:

H: 25" Dia: 9"

FINISH SHOWN:

PDMB Powder Coated Matte Black

BS Blackened Steel

SHADE MATERIAL SHOWN:

Hardback Laura White Linen

SHADE SIZE:

H: 11" Dia: 6 1/2"


SWITCH:

Round On/Off Rocker Switch

1 Convenience Outlet

1 USB Port

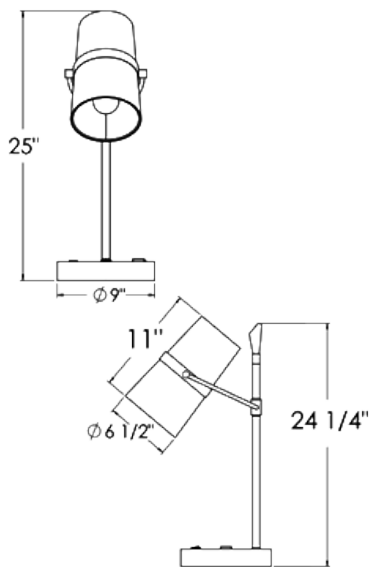
LAMPING:

(2)  **Medium** Base Socket, for LED A Style Bulb or Self-Ballasted CFL





MODEL 4581-M1



DIMENSIONS:

H: 25" Dia: 9"

FINISH SHOWN:

AGB Aged Brass

SHADE MATERIAL SHOWN:

Laura White Linen

SHADE SIZE:

H: 11" Dia: 6 1/2"

SWITCH:


Round On/Off Rocker Switch

ADDITIONAL FEATURES:

1 Convenience Outlet

1 USB Port

LAMPING:

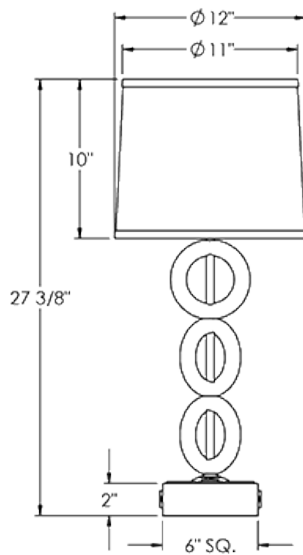
(2)  **Medium** Base Socket, for LED A Style

Bulb or Self-Ballasted CFL





MODEL 4582



DIMENSIONS:

H: 27 3/8" Dia: 12"

FINISH SHOWN:

PC Polished Chrome

SHADE MATERIAL SHOWN:

Canvas White Linen

SHADE SIZE:


H: 10" Dia: 12"

SWITCH:

On/Off Rocker Switch at Base

2 Convenience Outlets

LAMPING:

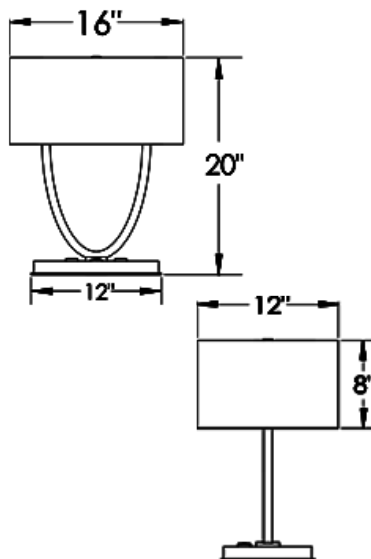
(1)  **Medium** Base Socket, for LED A Style

Bulb or Self-Ballasted CFL





MODEL 4586-MOD1



DIMENSIONS:

H: 20" D: 12" W: 16"

FINISH SHOWN:

Sand Drift Vista Gold

SHADE MATERIAL SHOWN:

Hardback CD Ivory

SHADE SIZE:

H: 8" Dia: 12"


SWITCH:

On/Off Rocker Switch

ADDITIONAL FEATURES:

2 Convenience Outlets

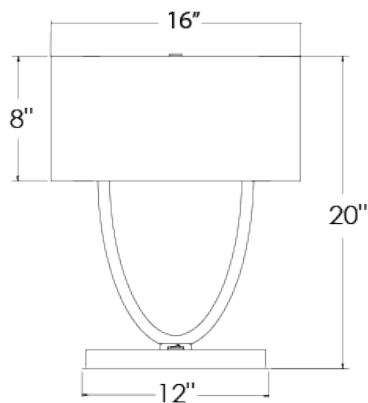
LAMPING:

(2)  **GU24** Base Socket, for LED A Style Bulb
or Self-Ballasted CFL





MODEL 4586



DIMENSIONS:

H: 20" D: 12" W: 16"

FINISH SHOWN:

Custom Brushed Brass

SHADE MATERIAL SHOWN:

Canvas White Linen


SHADE SIZE:

H: 8" D: 12" W: 16"

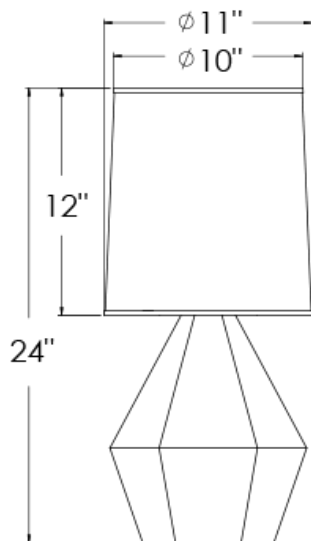
SWITCH:

On/Off Rocker Switch at Base

LAMPING:

(1)  **Medium** Base Socket, for LED A Style Bulb or Self-Ballasted CFL





DIMENSIONS:

H: 24" Dia: 11"

FINISH SHOWN:

PC Polished Chrome

Faux Concrete

SHADE MATERIAL SHOWN:

Canvas White Linen


SHADE SIZE:

H: 12" Dia: 11"

SWITCH:

On/Off Rocker Switch Below Socket

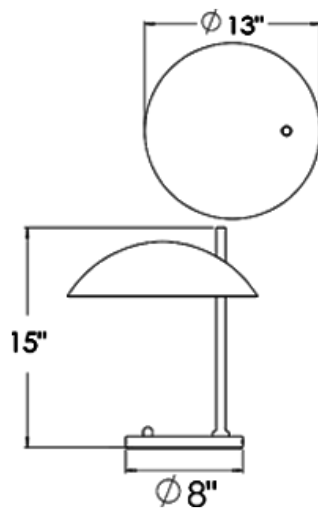
LAMPING:

(1)  **Medium** Base Socket, for LED A Style

Bulb or Self-Ballasted CFL



MODEL 4593



DIMENSIONS:

H: 15" Dia: 13"

FINISH SHOWN:

BB Brushed Brass


SHADE MATERIAL SHOWN:

Matte Black

SWITCH:

3-Way Rotary Switch

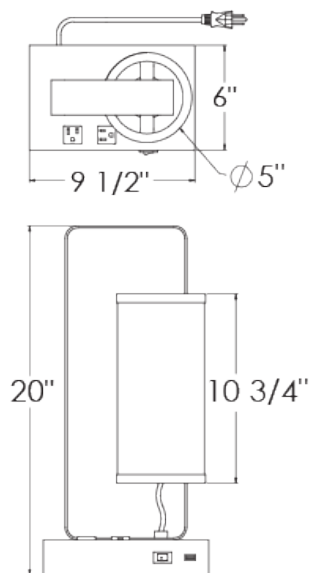
LAMPING:

(1)  **Medium** Base Socket, for LED A Style
Bulb or Self-Ballasted CFL





MODEL 4595



DIMENSIONS:

H: 20" D: 6" W: 9 1/2"

FINISH SHOWN:

AP Antique Pewter

SHADE MATERIAL SHOWN:

Canvas White Linen

SHADE SIZE:

H: 10 3/4" Dia: 5"

SWITCH:


On/Off Rocker Switch at Base

ADDITIONAL FEATURES:

2 Convenience Outlets

1 USB Port

LAMPING:

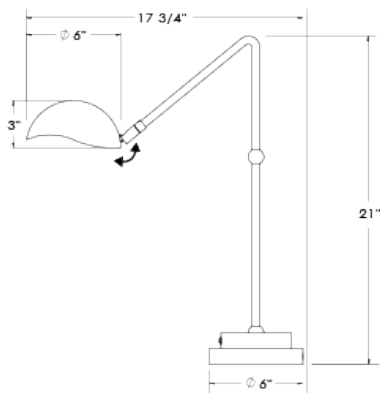
(1)  **Medium** Base Socket, for LED A Style

Bulb or Self-Ballasted CFL





MODEL 4598



DIMENSIONS:

H: 21" D: 6" W: 17 3/4"

FINISH SHOWN:

PDMB Powder Coated Matte Black

SB Satin Brass


SHADE MATERIAL SHOWN:

Metal

SWITCH:

On/Off Rocker Switch at Base

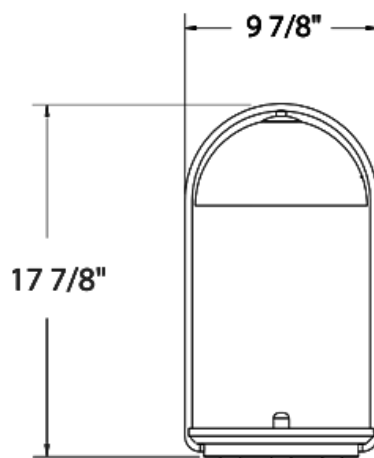
LAMPING:

 **L8-27K** 8 Watts, 2700K LED





MODEL 4599



DIMENSIONS:

H: 17 7/8" Dia: 9 7/8"

FINISH SHOWN:

SB Satin Brass

White Marble


SHADE MATERIAL SHOWN:

Opal Matte Acrylic

SWITCH:

Rotary Dimmer at Socket

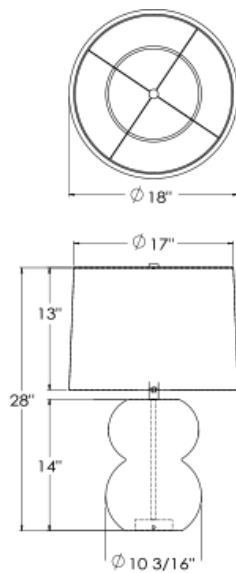
LAMPING:

(1)  **Medium** Base Socket, for LED A Style Bulb or Self-Ballasted CFL





MODEL 4603



DIMENSIONS:

H: 28" Dia: 18"

FINISH SHOWN:

PN Polished Nickel

Faux Wood Medium Walnut

SHADE MATERIAL SHOWN:

Brussels White Linen


SHADE SIZE:

H: 13" Dia: 18"

SWITCH:

On/Off Micro Rocker Switch

LAMPING:

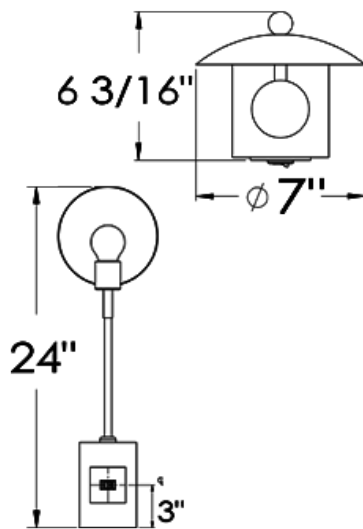
(2)  **Medium** Base Socket, for LED A Style

Bulb or Self-Ballasted CFL





MODEL 4611



DIMENSIONS:

H: 24" D: 6 3/16" W: 7"

FINISH SHOWN:


ANTB Antique Brass

White Marble

SWITCH:

On/Off Rocker Switch

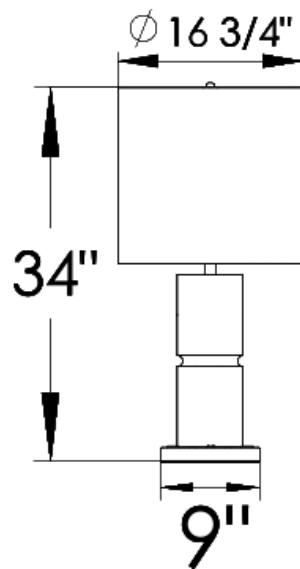
LAMPING:

(1)  **Medium** Base Socket, for LED A Style Bulb or Self-Ballasted CFL





MODEL 4613



DIMENSIONS:

H: 34" Dia: 16 3/4"

FINISH SHOWN:

SBSatin Blackened Bronze

Resin Body with White and Blue Gradation Finish

SHADE MATERIAL SHOWN:

Hardback Canvas White Linen

SHADE SIZE:

H: 16" Dia: 16 3/4"

SWITCH:


On/Off Rocker Switch

ADDITIONAL FEATURES:

2 Convenience Outlets

2 USB Ports

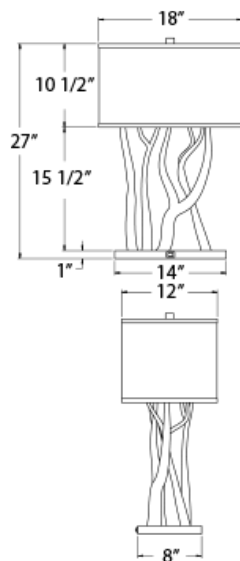
LAMPING:

(2)  **GU24** Base Socket, for LED A Style Bulb or Self-Ballasted CFL





MODEL 4619



DIMENSIONS:

H: 27 " D: 12 " W: 14 "

FINISH SHOWN:

Painted Gold

SHADE MATERIAL SHOWN:

CD Ivory Linen with an Opal Matte Acrylic Top
Diffuser


SHADE SIZE:

H: 10 1/2 " D: 12 " W: 18 "

SWITCH:

On/Off Rocker Switch

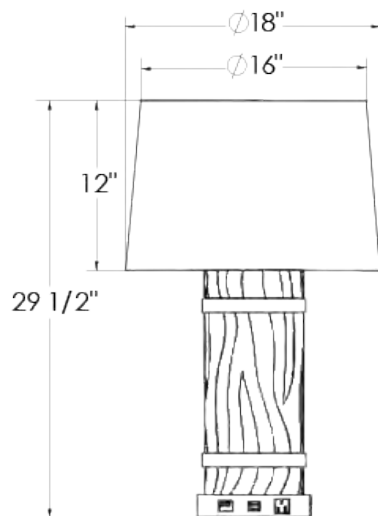
LAMPING:

(1)  **GU24** Base Socket, for LED A Style Bulb
or Self-Ballasted CFL





MODEL 4639



DIMENSIONS:

H: 29 1/2" Dia: 18"

FINISH SHOWN:

BZ Bronze

SHADE MATERIAL SHOWN:

Brussels White Linen

SHADE SIZE:

H: 12" Dia: 18"

SWITCH:


3 Way Rocker at Base

ADDITIONAL FEATURES:

1 Convenience Outlet

1 USB Port

LAMPING:

(2)  **Medium** Base Socket, for LED A Style

Bulb or Self-Ballasted CFL





MODEL 4643



DIMENSIONS:

H: 32" D: 28" W: 9"

FINISH SHOWN:

PC Polished Chrome


SHADE MATERIAL SHOWN:

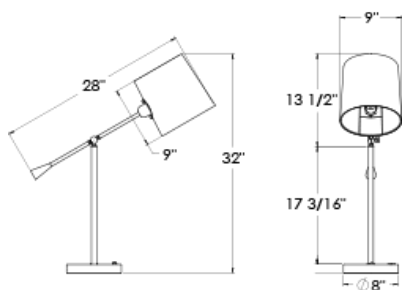
Canvas White Linen

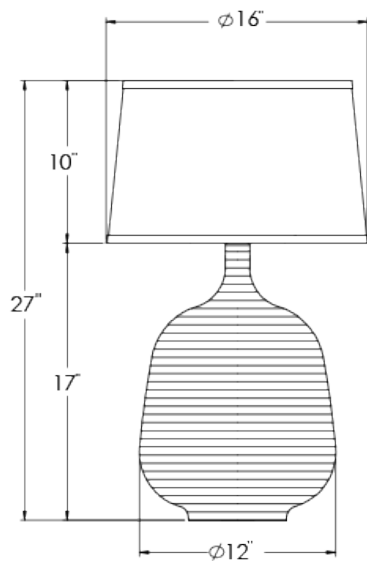
SWITCH:

On/Off Rocker Switch

LAMPING:

(1)  **Medium** Base Socket, for LED A Style Bulb or Self-Ballasted CFL





DIMENSIONS:

H: 27" Dia: 16"

FINISH SHOWN:

Hemp Rope

SHADE MATERIAL SHOWN:

Brussels Cream Linen


SHADE SIZE:

H: 10" Dia: 16"

SWITCH:

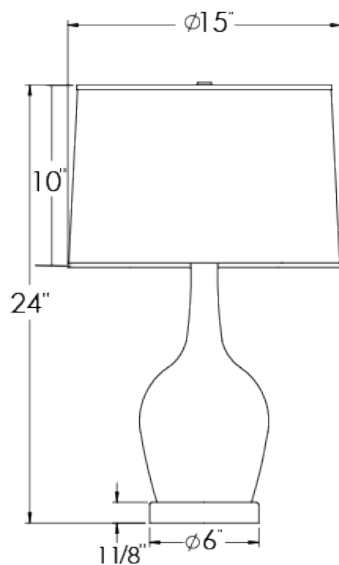
On/Off Rocker Switch Below Socket

LAMPING:

(2)  **Medium** Base Socket, for LED A Style Bulb or Self-Ballasted CFL



MODEL 4648



DIMENSIONS:

H: 24" Dia: 15"

FINISH SHOWN:

SN Satin Nickel

Mango Wood

SHADE MATERIAL SHOWN:

Canvas White Linen


SHADE SIZE:

H: 10" Dia: 15"

SWITCH:

3 Way Rocker at Base

LAMPING:

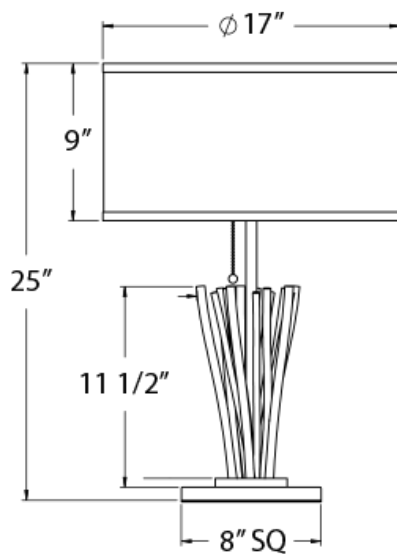
(2)  **Medium** Base Socket, for LED A Style

Bulb or Self-Ballasted CFL





MODEL 4649



DIMENSIONS:

H: 25" Dia: 17"

FINISH SHOWN:

Matte Black

Birch Branches

SHADE MATERIAL SHOWN:

CD Ivory


SHADE SIZE:

H: 9" Dia: 17"

SWITCH:

On/Off Rocker Switch at Socket

LAMPING:

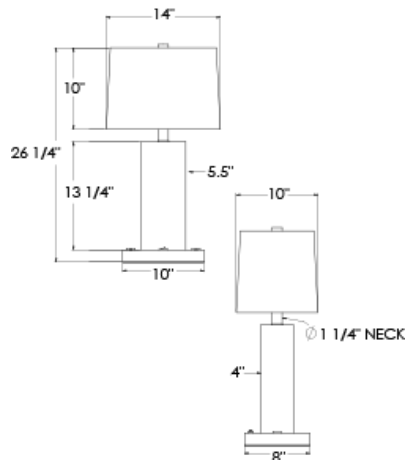
(1)  **Medium** Base Socket, for LED A Style

Bulb or Self-Ballasted CFL





MODEL 4652



DIMENSIONS:

H: 26 1/4" D: 10" W: 14"

FINISH SHOWN:

BN Brushed Nickel

Wh Powder Coated White

SHADE MATERIAL SHOWN:

CD Ivory Linen

SHADE SIZE:

H: 10" D: 10" W: 14"


SWITCH:

On/Off Rocker Switch at Top Base

ADDITIONAL FEATURES:

2 Convenience Outlets

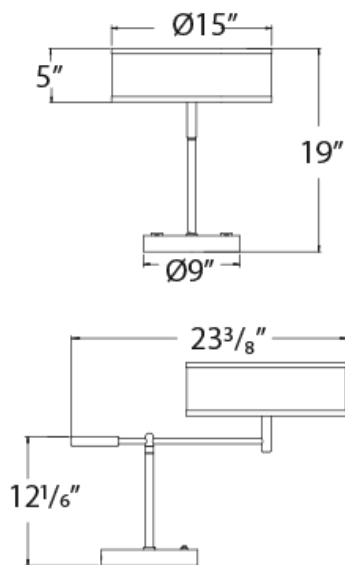
LAMPING:

(1)  **Medium** Base Socket, for LED A Style Bulb or Self-Ballasted CFL





MODEL 4655



DIMENSIONS:

H: 19" D: 23 3/8" W: 15"

FINISH SHOWN:

PN Polished Nickel

SHADE MATERIAL SHOWN:

Canvas White Linen with an Opal Matte Acrylic Top Diffuser


SHADE SIZE:

H: 5" Dia: 15"

SWITCH:

On/Off Rocker Switch at Base
2 Convenience Outlets

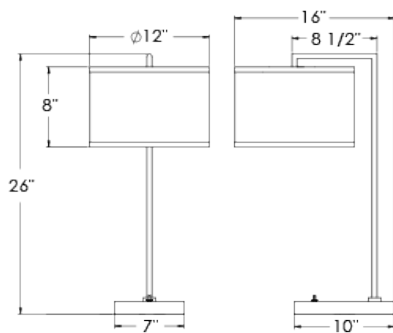
LAMPING:

(2)  **Medium** Base Socket, for LED A Style Bulb or Self-Ballasted CFL





MODEL 4657



DIMENSIONS:

H: 26" D: 16" W: 12"

FINISH SHOWN:

BN Brushed Nickel

SHADE MATERIAL SHOWN:

Laura White Linen with an Opal Matte Acrylic Top Diffuser


SHADE SIZE:

H: 8" Dia: 12"

SWITCH:

3-Way Push Switch

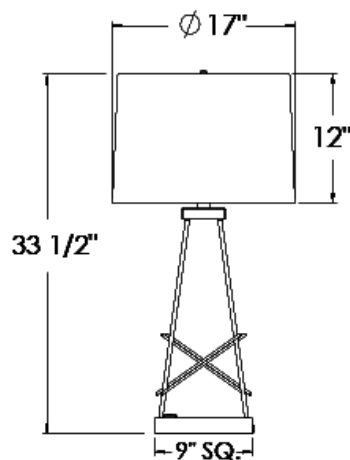
LAMPING:

(2)  **GU24** Base Socket, for LED A Style Bulb or Self-Ballasted CFL





MODEL 4667



DIMENSIONS:

H: 33 1/2" Dia: 17"

FINISH SHOWN:

Statuary Bronze

SHADE MATERIAL SHOWN:

Brussels White Linen

SHADE SIZE:

H: 12" Dia: 17"

SWITCH:


On/Off Rocker Switch

ADDITIONAL FEATURES:

1 Convenience Outlet

1 USB Port

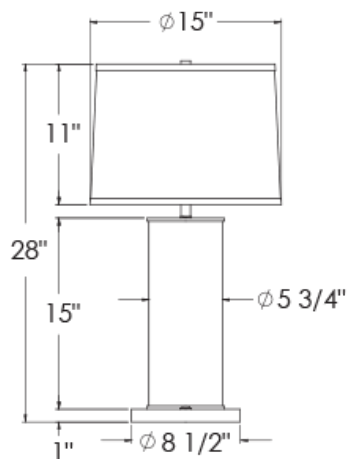
LAMPING:

(1)  GU24 Base Socket, for LED A Style Bulb or Self-Ballasted CFL





MODEL 4675



DIMENSIONS:

H: 28 " Dia: 15 "

FINISH SHOWN:

AGB Aged Brass

SHADE MATERIAL SHOWN:

Brussels Cream Linen with an Opal Matte Acrylic Top and Bottom Diffuser


SHADE SIZE:

H: 11 " Dia: 15 "

SWITCH:

2 On/Off Rockers at Base

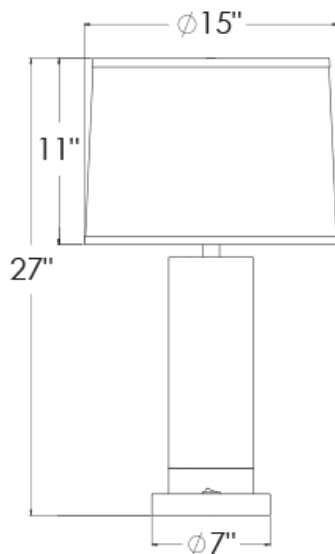
LAMPING:

(2)  **Medium** Base Socket, for LED A Style Bulb or Self-Ballasted CFL





MODEL 4678



DIMENSIONS:

H: 27" Dia: 15"

FINISH SHOWN:

PN Polished Nickel

SHADE MATERIAL SHOWN:

Black Shantung Linen


SHADE SIZE:


H: 15" Dia: 15"

SWITCH:

On/Off Rocker Switch at Base

LAMPING:

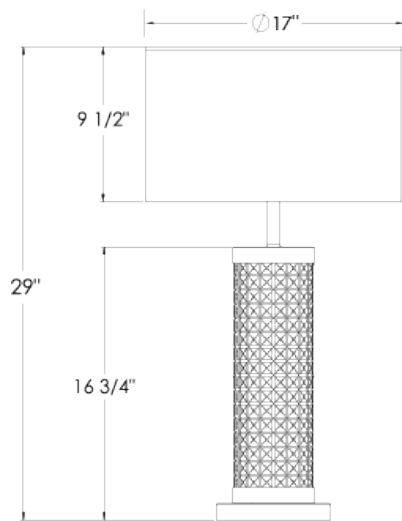
(1)  **GU24** Base Socket, for LED A Style Bulb or Self-Ballasted CFL

(1)  **Medium** Base Socket, for LED A Style Bulb or Self-Ballasted CFL





MODEL 4682



DIMENSIONS:

H: 29" Dia: 17"

FINISH SHOWN:

PC Polished Chrome

SHADE MATERIAL SHOWN:

Hardback Silver Perforated


SHADE SIZE:

H: 9 1/2" Dia: 17"

SWITCH:

In-Line Dimmer

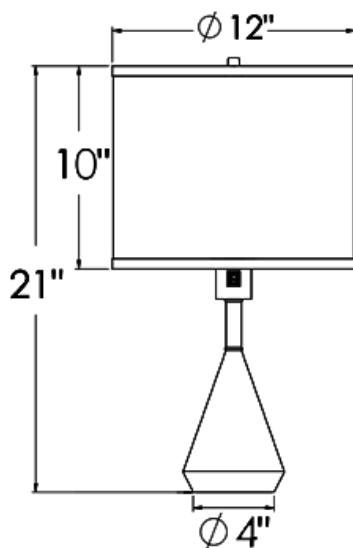
LAMPING:

(1)  **Medium** Base Socket, for LED A Style Bulb or Self-Ballasted CFL





MODEL 4684



DIMENSIONS:

H: 21" Dia: 12"

FINISH SHOWN:

PDBZ Powder Coated Bronze

WW Walnut Wood

SHADE MATERIAL SHOWN:

Hardback Canvas White Linen


SHADE SIZE:

H: 10" Dia: 12"

SWITCH:

On/Off Micro Rocker Switch

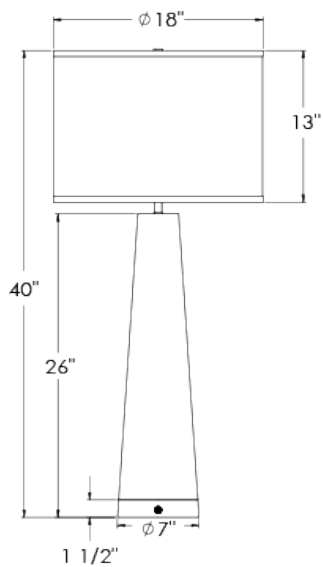
LAMPING:

(1)  **Medium** Base Socket, for LED A Style Bulb or Self-Ballasted CFL





MODEL 4689



DIMENSIONS:

H: 40" Dia: 18"

FINISH SHOWN:

BC Brushed Chrome with Cased Glossy Opal Hand Blown Glass

SHADE MATERIAL SHOWN:

Linda Cream Linen


SHADE SIZE:

H: 13" Dia: 18"

SWITCH:

Rotary Dimmer at Base

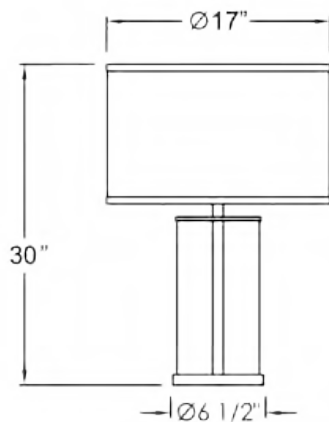
LAMPING:

(2)  **Medium** Base Socket, for LED A Style Bulb or Self-Ballasted CFL





MODEL 4690-M1



DIMENSIONS:

H: 30" Dia: 17"

FINISH SHOWN:

ANTB Antique Brass

SHADE MATERIAL SHOWN:

Hardback Canvas White Linen


SHADE SIZE:

H: 12" Dia: 17"

SWITCH:

On/Off Rocker Switch at Column

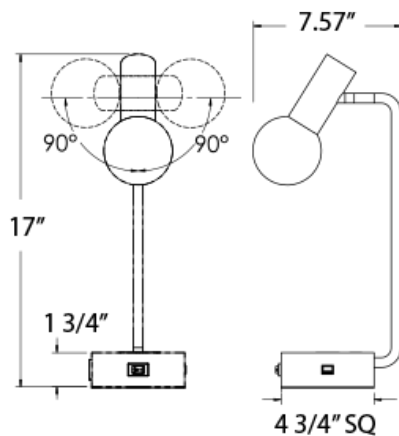
LAMPING:

(2)  **Medium** Base Socket, for LED A Style Bulb or Self-Ballasted CFL





MODEL 4695



DIMENSIONS:

H: 17" D: 7.57" W: 4.75"

FINISH SHOWN:

PDMB Powder Coated Matte Black

ANTB Antique Brass

SHADE MATERIAL SHOWN:

Opal Matte Glass

SWITCH:

On/Off Rocker Switch at Base


ADDITIONAL FEATURES:

1 Convenience Outlet

1 USB Port

Wireless Charger

LAMPING:

(1)  **GU24** Base Socket, for LED A Style Bulb or Self-Ballasted CFL





MODEL 4697



DIMENSIONS:

H: 25" D: 10" W: 17"

FINISH SHOWN:

PN Polished Nickel

SHADE MATERIAL SHOWN:

Brussels White Linen


SHADE SIZE:

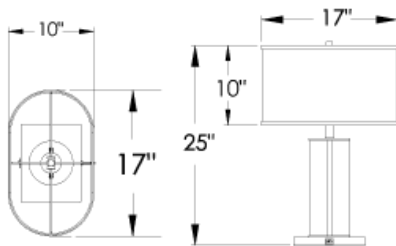
H: 10" D: 10" W: 17"

SWITCH:

On/Off Rocker Switch at Base

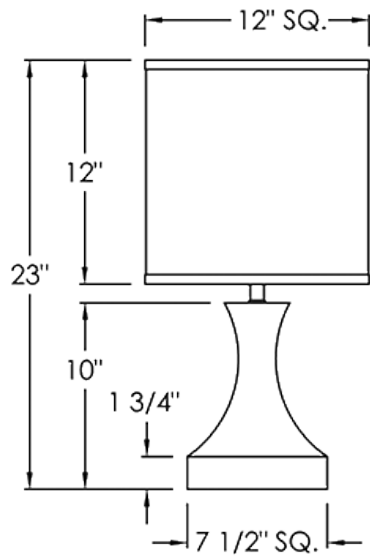
LAMPING:

(1)  **Medium** Base Socket, for LED A Style Bulb or Self-Ballasted CFL





MODEL 4710



DIMENSIONS:

H: 23" D: 12" W: 12"

FINISH SHOWN:

PN Polished Nickel

SHADE MATERIAL SHOWN:

Dark Brown Silk


SHADE SIZE:

H: 12" D: 12" W: 12"

SWITCH:

3-Way Rocker Switch

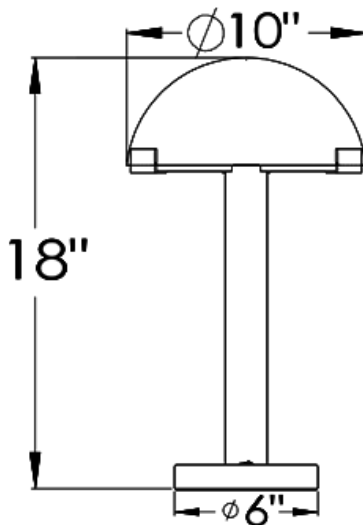
LAMPING:

(1)  **Medium** Base Socket, for LED A Style Bulb or Self-Ballasted CFL





MODEL 4713



DIMENSIONS:

H: 18" Dia: 10"

FINISH SHOWN:

ORBZ Oil Rubbed Bronze


SHADE MATERIAL SHOWN:

Faux Alabaster Acrylic Diffuser

SWITCH:

On/Off Rocker Switch

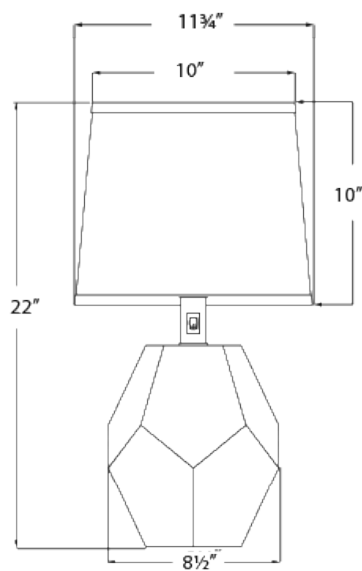
LAMPING:

(1)  **Medium** Base Socket, for LED A Style Bulb or Self-Ballasted CFL





MODEL 4715



DIMENSIONS:

H: 22" Dia: 11 3/4"

FINISH SHOWN:

SB Satin Brass

SHADE MATERIAL SHOWN:

Linda Cream Linen


SHADE SIZE:

H: 10" Dia: 11 3/4"

SWITCH:

On/Off Rocker Switch at Column

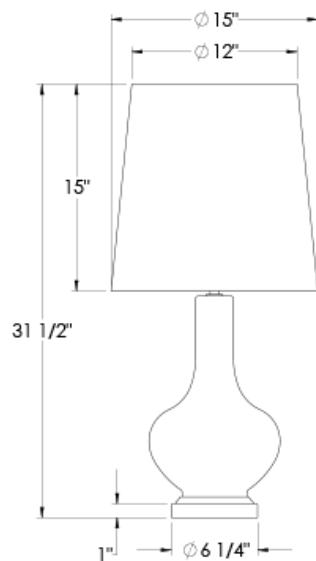
LAMPING:

(1)  **GU24** Base Socket, for LED A Style Bulb or Self-Ballasted CFL





MODEL 4720



DIMENSIONS:

H: 31 1/2" Dia: 15"

FINISH SHOWN:

PC Polished Chrome

SHADE MATERIAL SHOWN:

White Linen with an Opal Matte Acrylic Top Diffuser


SHADE SIZE:

H: 15" Dia: 15"

SWITCH:

On/Off Rocker Switch at Base

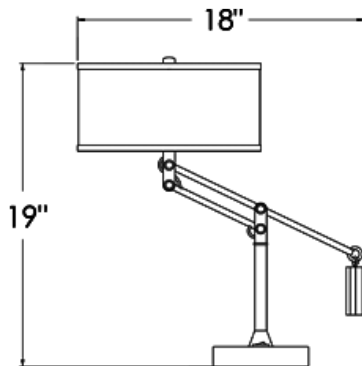
LAMPING:

(1)  **Medium** Base Socket, for LED A Style Bulb or Self-Ballasted CFL





MODEL 4723-M3



DIMENSIONS:

H: 19" D: 18" W: 11 1/2"

FINISH SHOWN:

PDMB Powder Coated Matte Black

SHADE MATERIAL SHOWN:

Hardback Brussels White Linen with an Opal Matte
Acrylic Top Diffuser


SHADE SIZE:

H: 7" Dia: 11 1/2"

SWITCH:

On/Off Rocker Switch

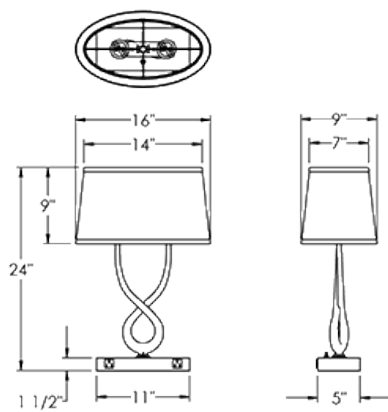
LAMPING:

(2)  **GU24** Base Socket, for LED A Style Bulb
or Self-Ballasted CFL





MODEL 4725



DIMENSIONS:

H: 9" D: 9" W: 16"

FINISH SHOWN:

PN Polished Nickel

SHADE MATERIAL SHOWN:

Canvas White Linen

SHADE SIZE:

H: 9" D: 9" W: 16"


SWITCH:

4 Way Push Switch at Base

ADDITIONAL FEATURES:

2 Convenience Outlets

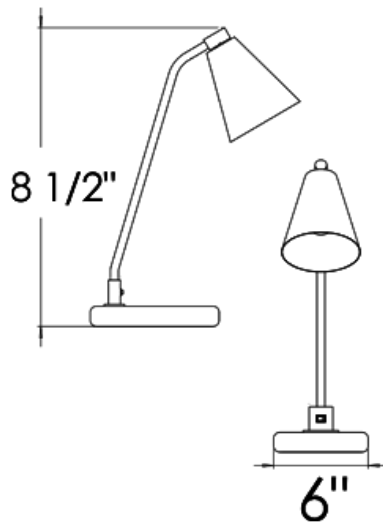
LAMPING:

(2)  **GU24** Base Socket, for LED A Style Bulb or Self-Ballasted CFL





MODEL 4727



DIMENSIONS:

H: 8 1/2" D: 13" W: 6"

FINISH SHOWN:

PDMB Powder Coated Matte Black
White Marble


SHADE MATERIAL SHOWN:

Metal

SWITCH:

On/Off Micro Rocker Switch

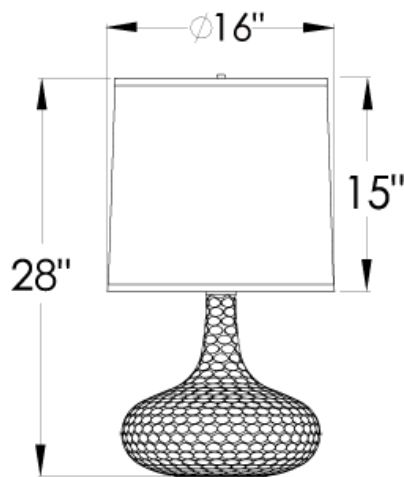
LAMPING:

(1)  **Medium** Base Socket, for LED A Style
Bulb or Self-Ballasted CFL





MODEL 4743



DIMENSIONS:

H: 28" Dia: 14"

FINISH SHOWN:

Champagne Metallic

SHADE MATERIAL SHOWN:

Hardback Cream Linen


SHADE SIZE:

H: 15" Dia: 16"

SWITCH:

On/Off Switch

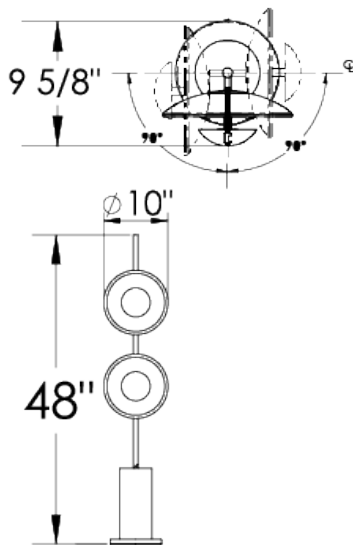
LAMPING:

(1)  **Medium** Base Socket, for LED A Style Bulb or Self-Ballasted CFL





MODEL 4756



DIMENSIONS:

H: 48" D: 9 5/8" W: 10"

FINISH SHOWN:

PDMB Powder Coated Matte Black
Powder Coated Tiger Drylac

SHADE MATERIAL SHOWN:

Opal Matte Glass


PDMB Powder Coated Matte Black

Powder Coated Tiger Drylac

SWITCH:

On/Off Toggle Switch at Base

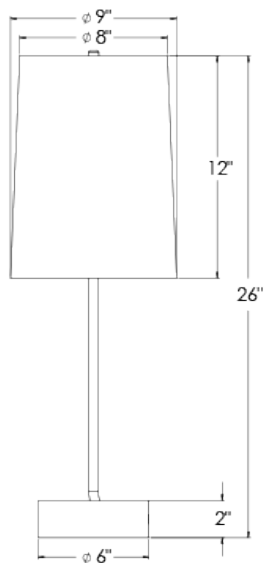
LAMPING:

(2)  **L56-30K** 56 Watts, 3000K LED, 90CRI,
50,000 Hour Rated Life





MODEL 4760



DIMENSIONS:

H: 26" Dia: 9"

FINISH SHOWN:

ANTB Antique Brass

SHADE MATERIAL SHOWN:

Linda Cream Linen


SHADE SIZE:

H: 12" Dia: 9"

SWITCH:

On/Off In-Line Rocker Switch

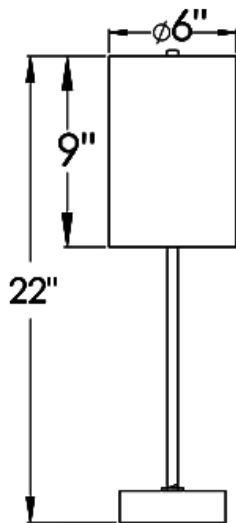
LAMPING:

(1)  **GU24** Base Socket, for LED A Style Bulb
or Self-Ballasted CFL





MODEL 4761



DIMENSIONS:

H: 22" Dia: 6"

FINISH SHOWN:

SN Satin Nickel

SHADE MATERIAL SHOWN:

Hardback Brussels White Linen

SHADE SIZE:

H: 9" Dia: 6"


SWITCH:

On/Off Rocker Switch

ADDITIONAL FEATURES:

1 Convenience Outlet

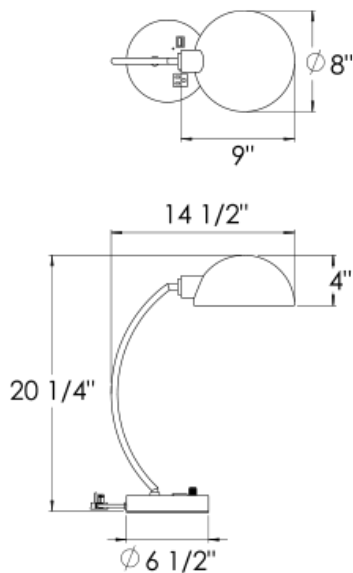
LAMPING:

(1)  **Medium** Base Socket, for LED A Style Bulb or Self-Ballasted CFL





MODEL 4762



DIMENSIONS:

H: 20 1/4" D: 14 1/2" W: 8"

FINISH SHOWN:

ORBZ Oil Rubbed Bronze

SHADE MATERIAL SHOWN:

Metal

SHADE SIZE:

H: 4" Dia: 8"

SWITCH:


Rotary Dimmer at Base

ADDITIONAL FEATURES:

1 Convenience Outlet

1 USB Port

LAMPING:

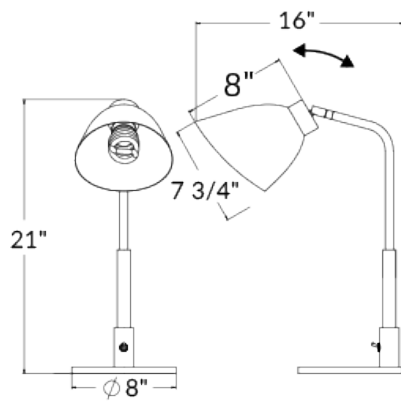
(1)  **Medium** Base Socket, for LED A Style

Bulb or Self-Ballasted CFL





MODEL 4764



DIMENSIONS:

H: 21" D: 16" W: 8"

FINISH SHOWN:

PDBL Powder Coated Black

ANTB Antique Brass

SHADE MATERIAL SHOWN:

PDBL Powder Coated Black


SHADE SIZE:

H: 8" Dia: 7 3/4"

SWITCH:

Brass On/Off Toggle Switch

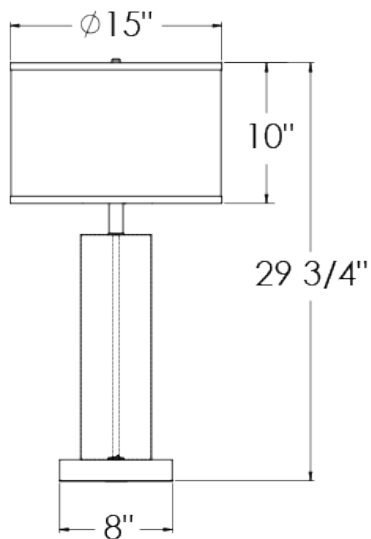
LAMPING:

(1)  **Medium** Base Socket, for LED A Style Bulb or Self-Ballasted CFL





MODEL 4765



DIMENSIONS:

H: 29 3/4" Dia: 15"

FINISH SHOWN:

BN Brushed Nickel

SHADE MATERIAL SHOWN:

Laura White Linen


SHADE SIZE:

H: 10" Dia: 15"

SWITCH:

On/Off Rocker Switch at Base

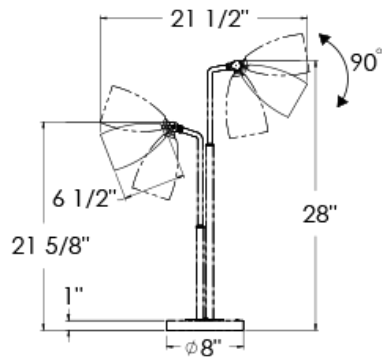
LAMPING:

(1)  **Medium** Base Socket, for LED A Style Bulb or Self-Ballasted CFL





MODEL 4766



DIMENSIONS:

H: 28" D: 4" W: 21 1/2"

FINISH SHOWN:

AGB Aged Brass

PDMB Powder Coated Matte Black

SHADE SIZE:

H: 6 1/2" D: 4" W: 4"


SWITCH:

On/Off Rocker Switch

ADDITIONAL FEATURES:

2 USB Ports

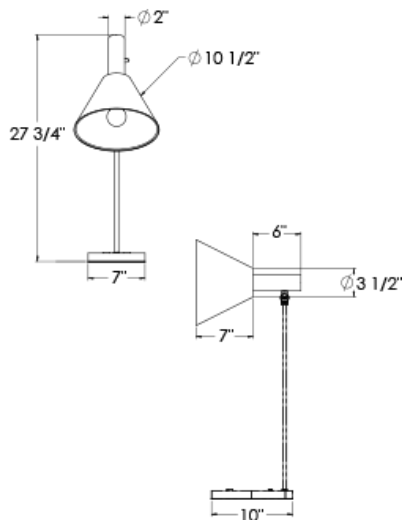
LAMPING:

(2)  **Medium** Base Socket, for LED A Style Bulb or Self-Ballasted CFL





MODEL 4767



DIMENSIONS:

H: 27 3/4" D: 13" W: 10 1/2 "

FINISH SHOWN:

Powder Coated Flat Black

SHADE MATERIAL SHOWN:

Hardback Canvas White Linen

SHADE SIZE:

H: 7" Dia: 10 1/2"


SWITCH:

On/Off Rocker Switch at Base

ADDITIONAL FEATURES:

2 USB Ports

LAMPING:

(1)  **GU24** Base Socket, for LED A Style Bulb or Self-Ballasted CFL





MODEL 4775



DIMENSIONS:

H: 20" D: 9" W: 10"

FINISH SHOWN:

PC Polished Chrome

SHADE MATERIAL SHOWN:

CD Ivory Linen


SHADE SIZE:

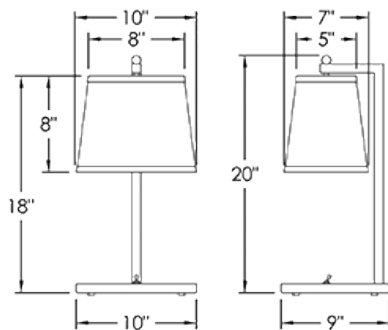
H: 8" D: 7" W: 10"

SWITCH:

On/Off Toggle Switch at Base

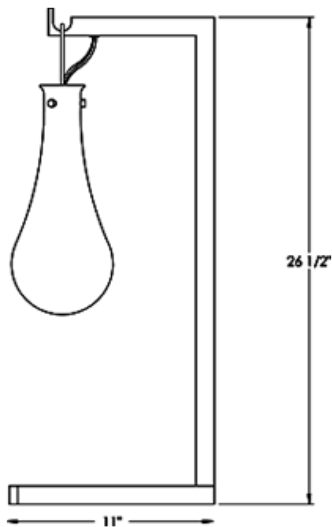
LAMPING:

(1)  **Medium** Base Socket, for LED A Style Bulb or Self-Ballasted CFL





MODEL 4782



DIMENSIONS:

H: 26 1/2" D: 11" W: 12"


FINISH SHOWN:

PN Polished Nickel

SWITCH:

On/Off In-Line Rocker Switch

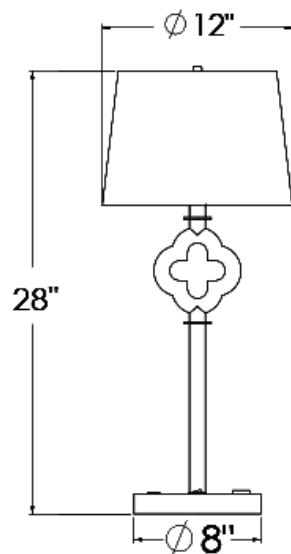
LAMPING:

(1)  **GU24** Base Socket, for LED A Style Bulb
or Self-Ballasted CFL





MODEL 4787



DIMENSIONS:

H: 28" Dia: 8"

FINISH SHOWN:

Powder Coated Flat Black

SHADE MATERIAL SHOWN:

Hardback Laura White Linen


SHADE SIZE:

H: 8 1/2" Dia: 12"

SWITCH:

On/Off Rocker Switch

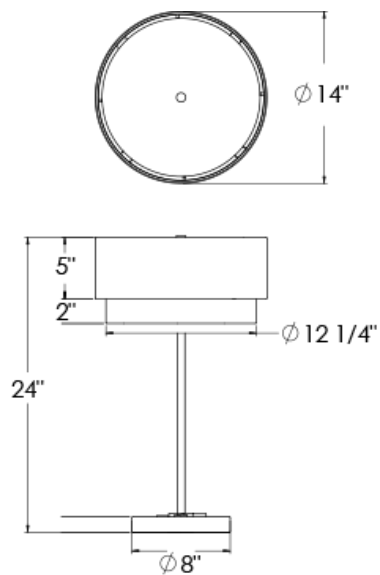
LAMPING:

(1)  **Medium** Base Socket, for LED A Style Bulb or Self-Ballasted CFL





MODEL 4790



DIMENSIONS:

H: 24" Dia: 14"

FINISH SHOWN:

SB Satin Brass

Statuary Bronze

SHADE MATERIAL SHOWN:

Metal with an Opal Matte Acrylic Top Diffuser

SHADE SIZE:

H: 7" Dia: 14"

SWITCH:


3-Way Rocker Switch

ADDITIONAL FEATURES:

1 USB Port

1 Convenience Outlet

LAMPING:

(2)  **Medium** Base Socket, for LED A Style



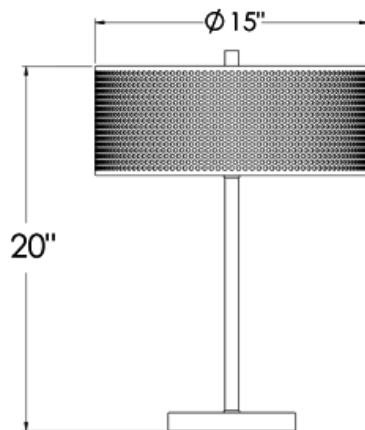
MODEL 4790

Bulb or Self-Ballasted CFL





MODEL 4792-M2



DIMENSIONS:

H: 20" Dia: 15"

FINISH SHOWN:

PDBB Powder Coated Blackened Brass


SHADE MATERIAL SHOWN:

Perforated Metal

SWITCH:

Rotary Dimmer Switch at Socket

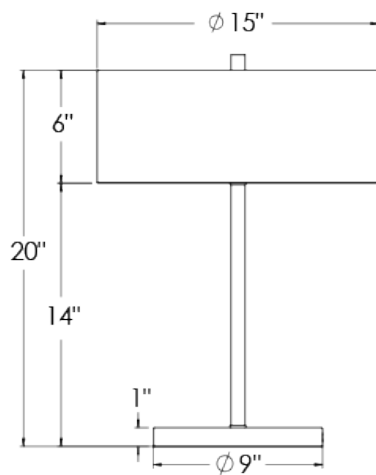
LAMPING:

(2)  **Medium** Base Socket, for LED A Style
Bulb or Self-Ballasted CFL





MODEL 4792



DIMENSIONS:

H: 21" Dia: 15"

FINISH SHOWN:

PDBZ Powder Coated Bronze

AGB Aged Brass

SHADE MATERIAL SHOWN:

Metal


SHADE SIZE:

H: 6" Dia: 15"

SWITCH:

Rotary Dimmer at Socket

LAMPING:

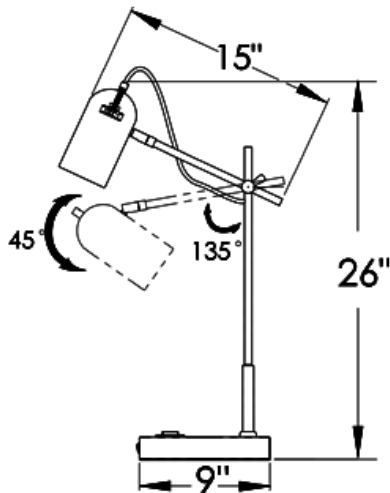
(2)  **Medium** Base Socket, for LED A Style

Bulb or Self-Ballasted CFL





MODEL 4794-M1



DIMENSIONS:

H: 26" D: 15" W: 5"

FINISH SHOWN:

PC Polished Chrome

BS Blackened Steel

SHADE MATERIAL SHOWN:

Metal **BS** Blackened Steel

SWITCH:


Round On/Off Rocker Switch

ADDITIONAL FEATURES:

1 USB Port

1 Convenience Outlet

LAMPING:

(1)  **GU24** Base Socket, for LED A Style Bulb or Self-Ballasted CFL





MODEL 4794



DIMENSIONS:

H: 19" D: 15" W: 5"

FINISH SHOWN:

ANTB Antique Brass

PDBL Powder Coated Black

SHADE MATERIAL SHOWN:

Metal


SHADE SIZE:

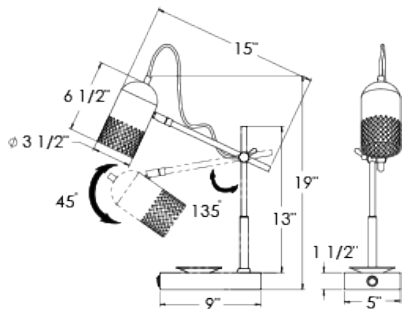
H: 6 1/2" Dia: 3 1/2"

SWITCH:

On/Off Rocker Switch at Base

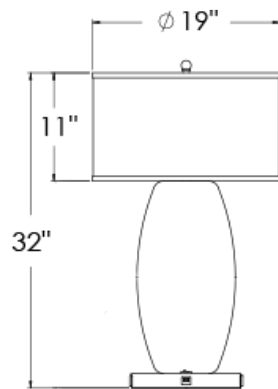
LAMPING:

(1)  **GU24** Base Socket, for LED A Style Bulb
or Self-Ballasted CFL





MODEL 4796



DIMENSIONS:

H: 32" Dia: 19"

FINISH SHOWN:

BS Brushed Stainless Steel

SHADE MATERIAL SHOWN:

Canvas White Linen

SHADE SIZE:

H: 11" Dia: 19"

SWITCH:


On/Off Rocker Switch

ADDITIONAL FEATURES:

1 USB Port

2 Convenience Outlets

LAMPING:

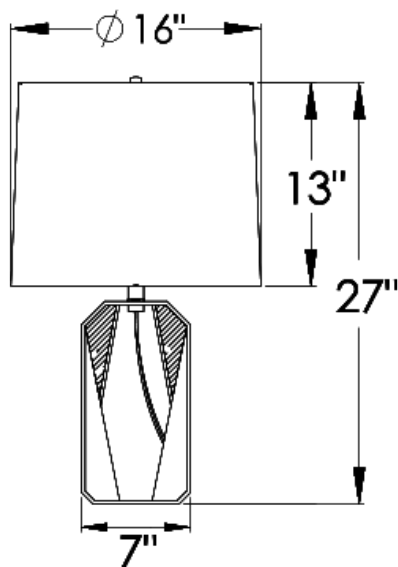
(2)  **Medium** Base Socket, for LED A Style

Bulb or Self-Ballasted CFL





MODEL 4797



DIMENSIONS:

H: 27" Dia: 16"

FINISH SHOWN:

Powder Coated Tiger Drylac

SHADE MATERIAL SHOWN:

Hardback CD Ivory with an Opal Matte Acrylic Top Diffuser


SHADE SIZE:

H: 13" Dia: 16"

SWITCH:

On/Off Micro Rocker Switch

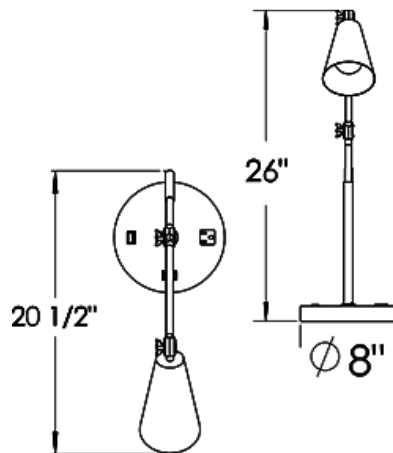
LAMPING:

(2)  **Medium** Base Socket, for LED A Style Bulb or Self-Ballasted CFL





MODEL 4798



DIMENSIONS:

H: 26" D: 20 1/2" W: 8"

FINISH SHOWN:

PDMB Powder Coated Matte Black

PB Polished Brass

SHADE MATERIAL SHOWN:

PDMB Powder Coated Matte Black

SWITCH:


On/Off Rocker Switch at Base

ADDITIONAL FEATURES:

1 Convenience Outlet

1 USB Port

LAMPING:

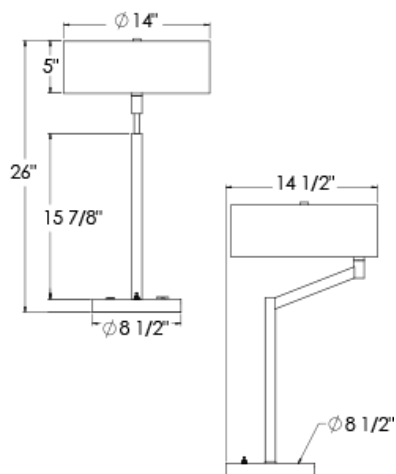
(1)  **Medium** Base Socket, for LED A Style

Bulb or Self-Ballasted CFL





MODEL 4803



DIMENSIONS:

H: 26" D: 14 1/2" W: 14"

FINISH SHOWN:

BZ Bronze

SHADE MATERIAL SHOWN:

CD Ivory with an Opal Matte Acrylic Top Diffuser

SHADE SIZE:

H: 5" Dia: 14"

SWITCH:


3-Way Rocker Switch

ADDITIONAL FEATURES:

1 USB Port

1 Convenience Outlet

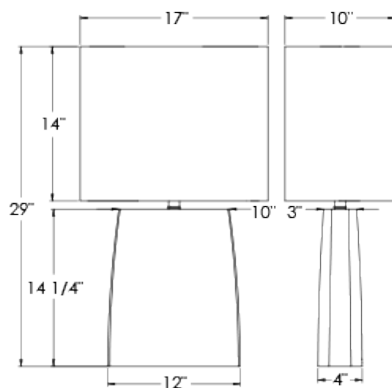
LAMPING:

(2)  **Medium** Base Socket, for LED A Style Bulb or Self-Ballasted CFL





MODEL 4807



DIMENSIONS:

H: 29" D: 10" W: 17"

FINISH SHOWN:

PN Polished Nickel

HBG Hand Blown Glass

SHADE MATERIAL SHOWN:

Off White Shantung Linen


SHADE SIZE:

H: 14" D: 10" W: 17"

SWITCH:

Rotary Dimmer at Socket

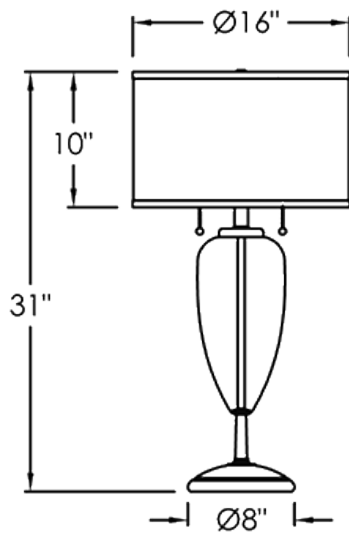
LAMPING:

(1)  **Medium** Base Socket, for LED A Style Bulb or Self-Ballasted CFL





MODEL 4810



DIMENSIONS:

H: 31" Dia: 16"

FINISH SHOWN:

PN Polished Nickel

CG Clear Glass

SHADE MATERIAL SHOWN:

Red Shirred Linen


SHADE SIZE:

H: 10" Dia: 16"

SWITCH:

2 On/Off Pull Switch at Socket

LAMPING:

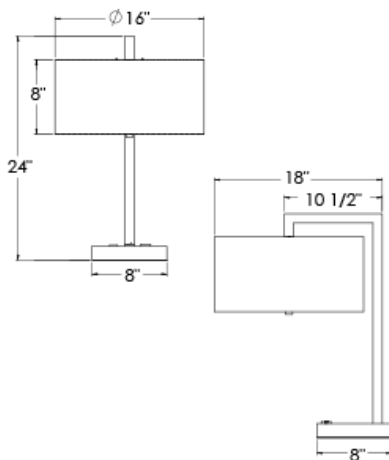
(2)  **Medium** Base Socket, for LED A Style

Bulb or Self-Ballasted CFL





MODEL 4813



DIMENSIONS:

H: 24" D: 18" W: 16"

FINISH SHOWN:

SN Satin Nickel

SHADE MATERIAL SHOWN:

Linda Black Linen with an Opal Matte Acrylic Top and Bottom Diffuser

SHADE SIZE:

H: 8" Dia: 16"

SWITCH:


On/Off Rocker Switch

ADDITIONAL FEATURES:

1 Convenience Outlet

1 USB Port

LAMPING:

(2)  **Medium** Base Socket, for LED A Style



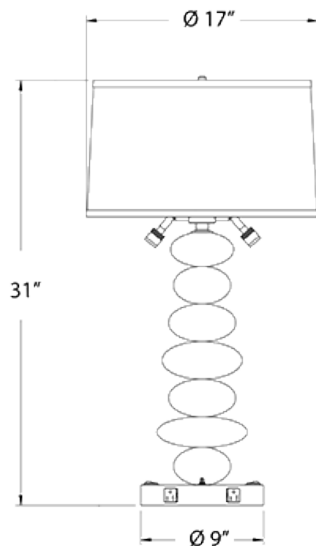
MODEL 4813

Bulb or Self-Ballasted CFL





MODEL 4815



DIMENSIONS:

H: 31" Dia: 17"

FINISH SHOWN:

PC Polished Chrome

Amber Glass

SHADE MATERIAL SHOWN:

CD Ivory Linen with an Opal Matte Acrylic Top
Diffuser

SHADE SIZE:

H: 10" Dia: 17"

SWITCH:


On/Off Push Button

2 Black Rockers for 3w LED Reading Lights

ADDITIONAL FEATURES:

2 Convenience Outlets

LAMPING:

(2)  **Medium** Base Socket, for LED A Style



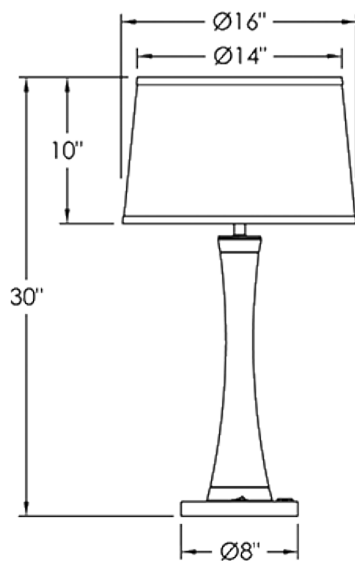
MODEL 4815

Bulb or Self-Ballasted CFL





MODEL 4820



DIMENSIONS:

H: 30" Dia: 16"

FINISH SHOWN:

BCH Brushed Chrome with Translucent Blue Resin

ALSO AVAILABLE IN:

Translucent Lime Resin

SHADE MATERIAL SHOWN:

CD Ivory Linen

SHADE SIZE:

H: 10" Dia: 16"


SWITCH:

On/Off Rocker Switch at Base

ADDITIONAL FEATURES:

1 Convenience Outlet

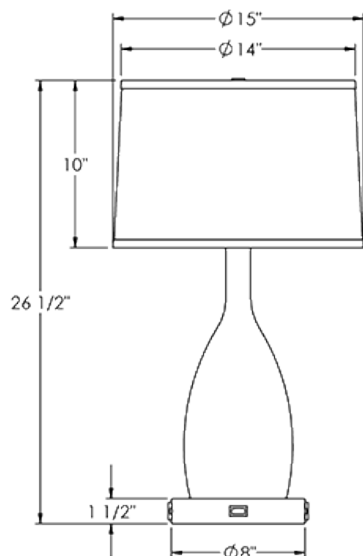
LAMPING:

(1)  **Medium** Base Socket, for LED A Style Bulb or Self-Ballasted CFL





MODEL 4821



DIMENSIONS:

H: 26 1/2" Dia: 15"

FINISH SHOWN:

PN Polished Nickel

Translucent Amber Resin

SHADE MATERIAL SHOWN:

Linda Cream Linen

SHADE SIZE:

H: 10" Dia: 15"


SWITCH:

On/Off Rocker Switch at Base

ADDITIONAL FEATURES:

2 Convenience Outlets

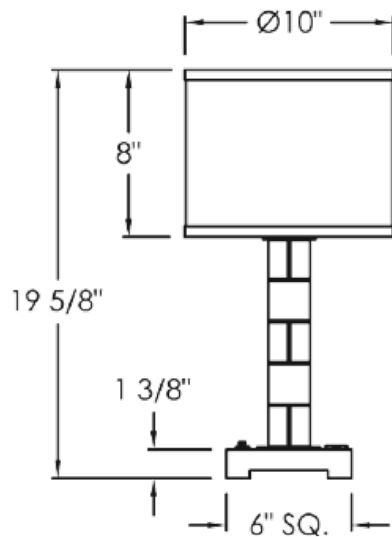
LAMPING:

(2)  **GU24** Base Socket, for LED A Style Bulb or Self-Ballasted CFL





MODEL 4824



DIMENSIONS:

H: 19 5/8" Dia: 10"

FINISH SHOWN:

PN Polished Nickel

IL Ivory Leather

SHADE MATERIAL SHOWN:

CD Ivory Silk

SHADE SIZE:

H: 8" Dia: 10"


SWITCH:

On/Off Rocker Switch at Base

ADDITIONAL FEATURES:

1 Convenience Outlet

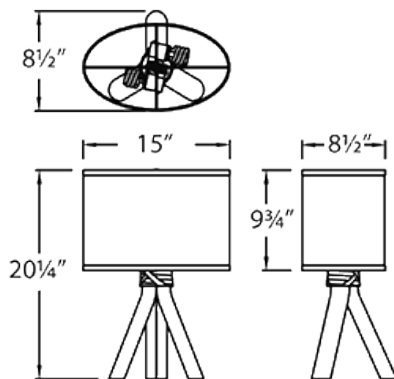
LAMPING:

(1)  **Medium** Base Socket, for LED A Style Bulb or Self-Ballasted CFL





MODEL 4825



DIMENSIONS:

H: 20 1/4" D: 8 1/2" W: 15"

FINISH SHOWN:

Shantung White Leather Wrap

SHADE MATERIAL SHOWN:

CD Ivory Linen with an Opal Matte Acrylic Top
Diffuser


SHADE SIZE:

H: 9 3/4" D: 8 1/2" W: 15"

SWITCH:

On/Off Switch at Socket

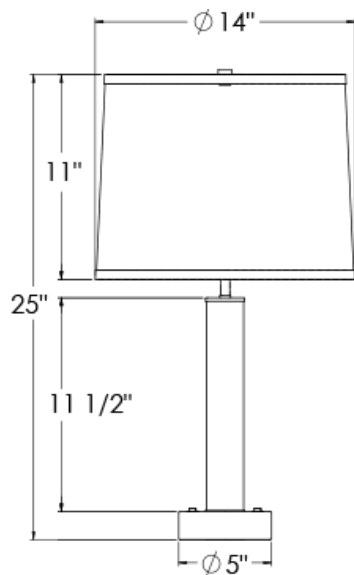
LAMPING:

(2)  **GU24** Base Socket, for LED A Style Bulb
or Self-Ballasted CFL





MODEL 4827-Mod



DIMENSIONS:

H: 25" Dia: 14"

FINISH SHOWN:

BS Blackened Steel

Custom Light Bronze

C34 Bronze

SHADE MATERIAL SHOWN:

Hardback Canvas White Linen with an Opal Matte

Acrylic Top Diffuser


SHADE SIZE:

H: 11" Dia: 14"

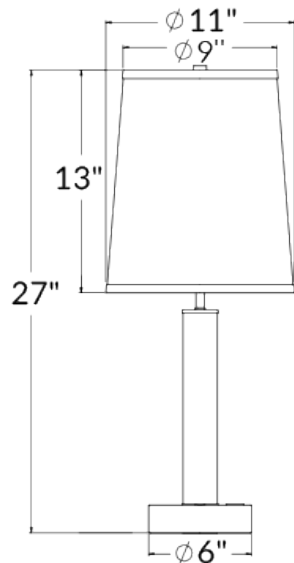
SWITCH:

2 black Rockers

LAMPING:

(2)  **Medium** Base Socket, for LED A Style Bulb or Self-Ballasted CFL





DIMENSIONS:

H: 27" Dia: 11"

FINISH SHOWN:

ANTB Antique Brass

Leather Wrap

SHADE MATERIAL SHOWN:

Hardback Ivory Silk

SHADE SIZE:

H: 13" Dia: 11"

SWITCH:


3-Way Rocker Switch

ADDITIONAL FEATURES:

1 Convenience Outlet

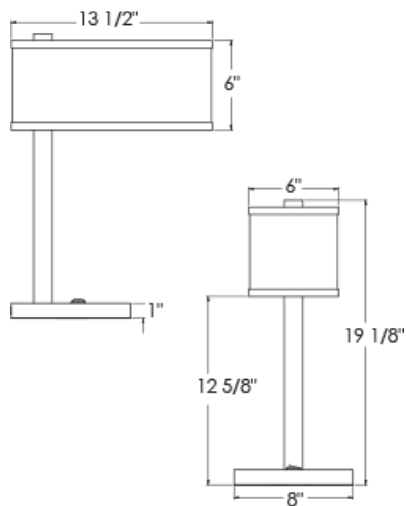
1 USB Port

LAMPING:

(2)  **Medium** Base Socket, for LED A Style Bulb or Self-Ballasted CFL



MODEL 4834-M1



DIMENSIONS:

H: 19 1/8" D: 8" W: 13 1/2"

FINISH SHOWN:

SN Satin Nickel

SHADE MATERIAL SHOWN:

Opal Acrylic Diffuser

CD Ivory Linen


SHADE SIZE:

H: 6" D: 13 1/2" W: 6"

SWITCH:

Round On/Off Rocker Switch

LAMPING:

(1)  **Medium** Base Socket, for LED A Style Bulb or Self-Ballasted CFL





MODEL 4834



DIMENSIONS:

H: 18 1/4" D: 6" W: 13 1/2"

FINISH SHOWN:

SN Satin Nickel

SHADE MATERIAL SHOWN:

CD Ivory Linen

SHADE SIZE:

H: 4" D: 4" W: 13 1/2"

SWITCH:


On/Off Rocker Switch at Base

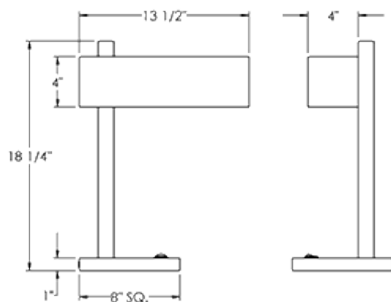
ADDITIONAL FEATURES:

1 Convenience Outlet

1 USB Port

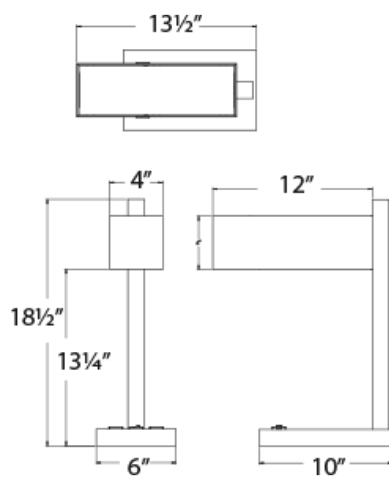
LAMPING:

(1)  **Medium** Base Socket, for LED A Style Bulb or Self-Ballasted CFL





MODEL 4837



DIMENSIONS:

H: 18 1/2" D: 6" W: 13 1/2"

FINISH SHOWN:

SN Satin Nickel

SHADE MATERIAL SHOWN:

CD Ivory Linen with an Opal Matte Acrylic Top
Diffuser

SHADE SIZE:

H: 4" D: 4" W: 12"


SWITCH:

On/Off Rocker Switch at Base

ADDITIONAL FEATURES:

2 Convenience Outlets

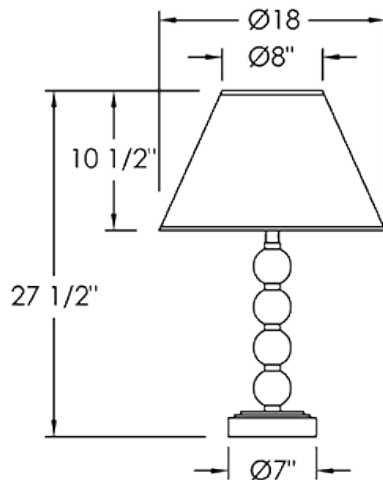
LAMPING:

(1)  **Medium** Base Socket, for LED A Style
Bulb or Self-Ballasted CFL





MODEL 4838



DIMENSIONS:

H: 27 1/2" Dia: 18"

FINISH SHOWN:

PN Polished Nickel

CB Crystal Ball

SHADE MATERIAL SHOWN:

White Silk


SHADE SIZE:

H: 10 1/2" Dia: 18"

SWITCH:

On/Off Rocker Switch at Base

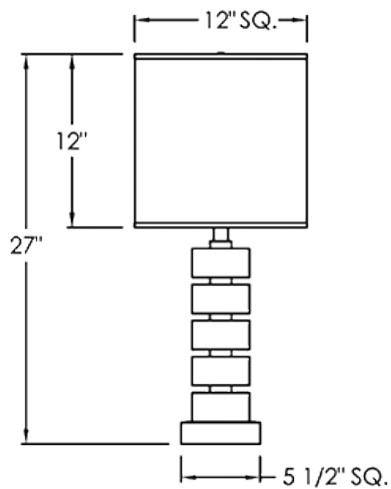
LAMPING:

(1)  **Medium** Base Socket, for LED A Style Bulb or Self-Ballasted CFL





MODEL 4839



DIMENSIONS:

H: 27" D: 12" W: 12"

FINISH SHOWN:

SN Satin Nickel

SHADE MATERIAL SHOWN:

Hardback Brown Silk


SHADE SIZE:

H: 12" D: 12" W: 12"

SWITCH:

On/Off Rocker Switch at Base

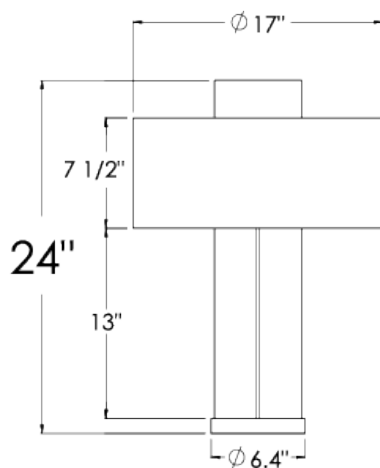
LAMPING:

(1)  **Medium** Base Socket, for LED A Style Bulb or Self-Ballasted CFL





MODEL 4841



DIMENSIONS:

H: 24" Dia: 17"

FINISH SHOWN:

Powder Coated Tiger Drylac

Glass Column

SC Satin Chrome


SHADE MATERIAL SHOWN:

Linda Black Linen

SWITCH:

Dimmer on Cord

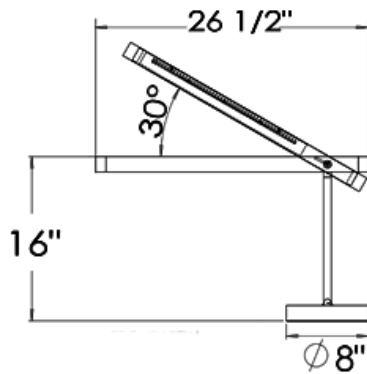
LAMPING:

(1)  **Medium** Base Socket, for LED A Style Bulb or Self-Ballasted CFL





MODEL 4845



DIMENSIONS:

H: 16" D: 26 1/2" W: 8"


FINISH SHOWN:

SN Satin Nickel

SWITCH:

Rotary Dimmer at Base

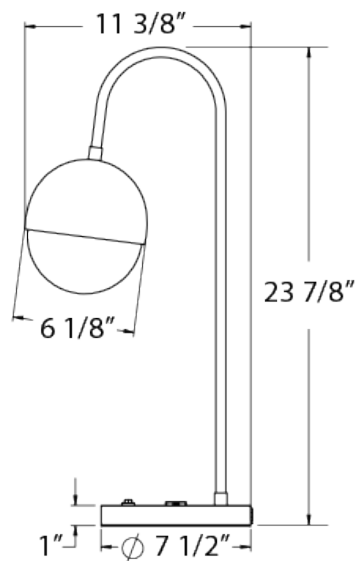
LAMPING:

 **L9-30K** 9 Watts, 3000K LED





MODEL 4847



DIMENSIONS:

H: 23 7/8" D: 11 3/8" W: 7 1/2"

FINISH SHOWN:

SB Satin Brass

SHADE MATERIAL SHOWN:

Opal Matte Glass

SHADE SIZE:

H: 6 1/8" Dia: 6 1/8"


SWITCH:

On/Off Rocker Switch at Base

ADDITIONAL FEATURES:

2 Convenience Outlets

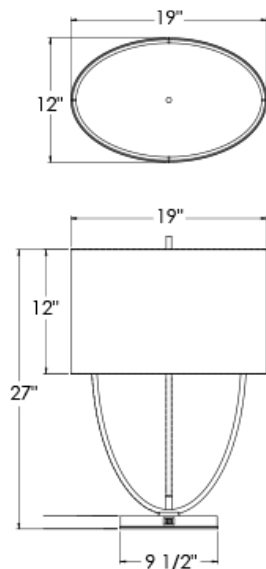
LAMPING:

(1)  **GU24** Base Socket, for LED A Style Bulb or Self-Ballasted CFL





MODEL 4855



DIMENSIONS:

H: 27" D: 12" W: 19"

FINISH SHOWN:

Custom Pewter Finish

Tortoise Shell Lacquer

SHADE MATERIAL SHOWN:

Brussels White Linen


SHADE SIZE:

H: 12" D: 12" W: 19"

SWITCH:

On/Off Rocker Switch at Base

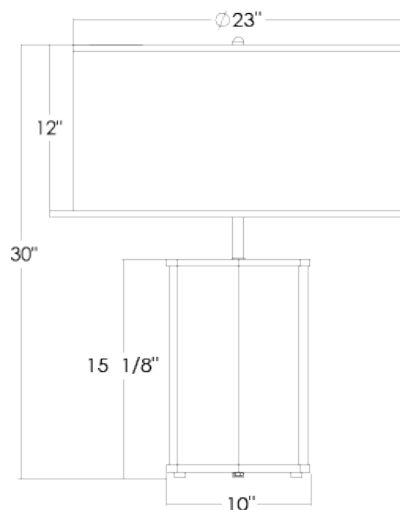
LAMPING:

(2)  **Medium** Base Socket, for LED A Style Bulb or Self-Ballasted CFL





MODEL 4859



DIMENSIONS:

H: 30" Dia: 23"

FINISH SHOWN:

SB Satin Brass

WCA White Cast Alabaster

SHADE MATERIAL SHOWN:

Canvas White Linen


SHADE SIZE:

H: 12" Dia: 23"

SWITCH:

3-Way Rocker Switch

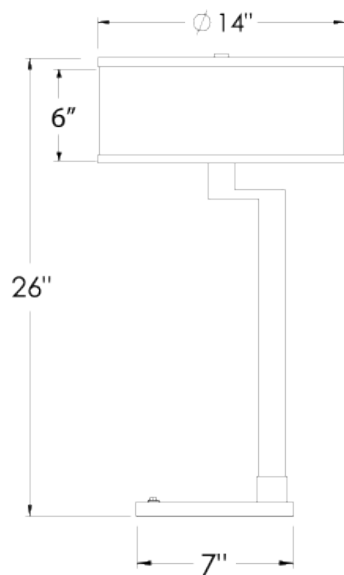
LAMPING:

(2)  **Medium** Base Socket, for LED A Style Bulb or Self-Ballasted CFL





MODEL 4860



DIMENSIONS:

H: 26" Dia: 14"

FINISH SHOWN:

PDBZ Powder Coated Bronze

SHADE MATERIAL SHOWN:

CD Ivory Linen with an Opal Matte Acrylic Top and Bottom Diffuser

W/ Self Fold Edge Top & Bottom


SHADE SIZE:

H: 6" Dia: 14"

SWITCH:

On/Off Rocker Switch at Base

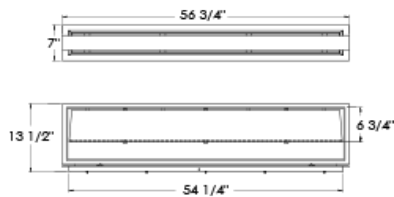
LAMPING:

(2)  **Medium** Base Socket, for LED A Style Bulb or Self-Ballasted CFL





MODEL 4861



DIMENSIONS:

H: 13 1/2" D: 5" W: 56 3/4"

FINISH SHOWN:

Gunmetal

Medium Cherry Wood

Ash Wood

SHADE MATERIAL SHOWN:

Shantung White


SHADE SIZE:

H: 6 1/2" D: 5" W: 54 1/4"

SWITCH:

On/Off Rocker Switch

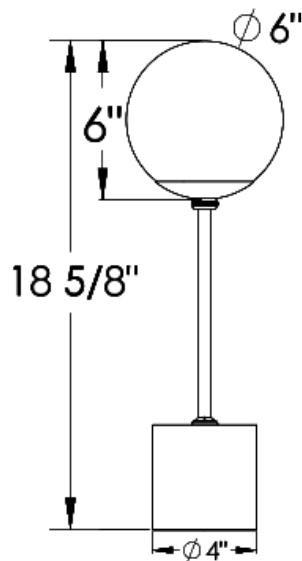
LAMPING:

(6)  **GU24** Base Socket, for LED A Style Bulb
or Self-Ballasted CFL





MODEL 4863-M1



DIMENSIONS:

H: $18 \frac{5}{8}''$ Dia: $6''$

FINISH SHOWN:

Gunmetal


SHADE MATERIAL SHOWN:

Opal Matte Acrylic

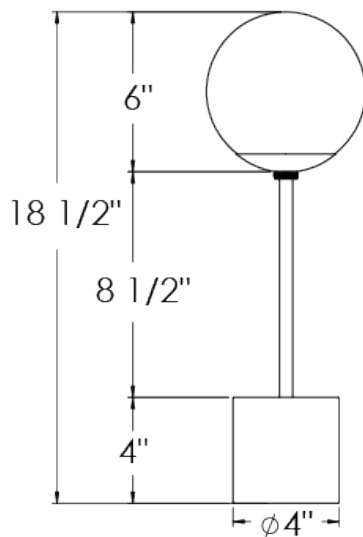
SWITCH:

On/Off Rocker Switch

LAMPING:

(1)  E-12 Socket for Candelabra Base





DIMENSIONS:

H: 18 1/2" Dia: 6"

FINISH SHOWN:

Gunmetal

DW Dark Walnut

SHADE MATERIAL SHOWN:

Opal Matte Glass


SHADE SIZE:

H: 6" Dia: 6"

SWITCH:

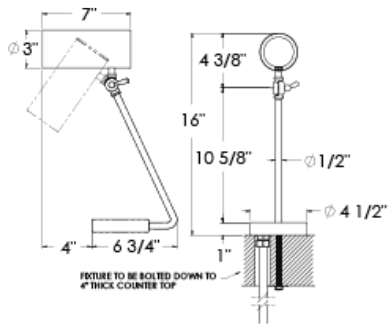
In-Line Switch

LAMPING:

(1)  CB60 60 Watt Candelabra Base



MODEL 4864



DIMENSIONS:

H: 16 " D: 7 " W: 10 3/4 "

FINISH SHOWN:

BB Brushed Brass


SHADE MATERIAL SHOWN:

BB Brushed Brass

SHADE SIZE:

H: 7 " Dia: 3"

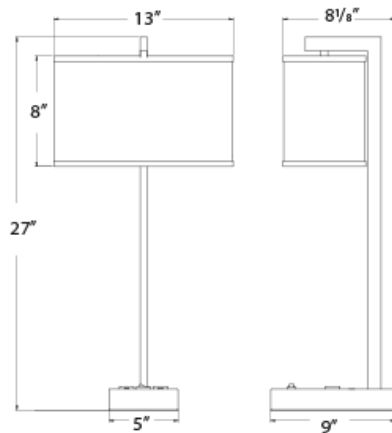
LAMPING:

(1)  **Medium** Base Socket, for LED A Style Bulb or Self-Ballasted CFL





MODEL 4865



DIMENSIONS:

H: 27" D: 9" W: 13"

FINISH SHOWN:

BN Brushed Nickel

SHADE MATERIAL SHOWN:

Canvas White Linen

SHADE SIZE:

H: 8" D: 6" W: 13"


SWITCH:

On/Off Rocker Switch at Base

ADDITIONAL FEATURES:

2 Convenience Outlets

LAMPING:

(1)  **GU24** Base Socket, for LED A Style Bulb or Self-Ballasted CFL





MODEL 4868-M1



DIMENSIONS:

H: 17 1/2" D: 15" W: 7 1/2"

FINISH SHOWN:

Statuary Bronze

SHADE MATERIAL SHOWN:

Brussels Cream Linen

SHADE SIZE:

H: 7" D: 15" W: 7 1/2"

SWITCH:


On/Off Rocker Switch at Base

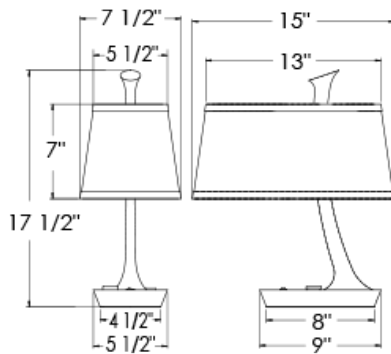
ADDITIONAL FEATURES:

1 Convenience Outlet

1 USB Port

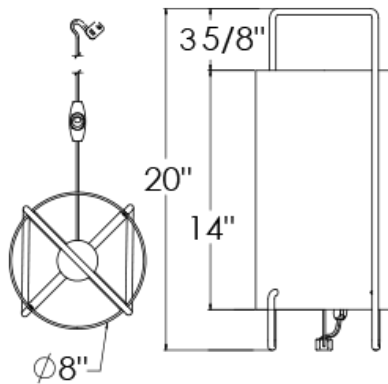
LAMPING:

(1)  GU24 Base Socket, for LED A Style Bulb or Self-Ballasted CFL





MODEL 4870



DIMENSIONS:

H: 20" Dia: 8"

FINISH SHOWN:

PC Polished Chrome

SHADE MATERIAL SHOWN:

Opal Matte Acrylic


SHADE SIZE:

H: 14" Dia: 8"

SWITCH:

In-Line Switch

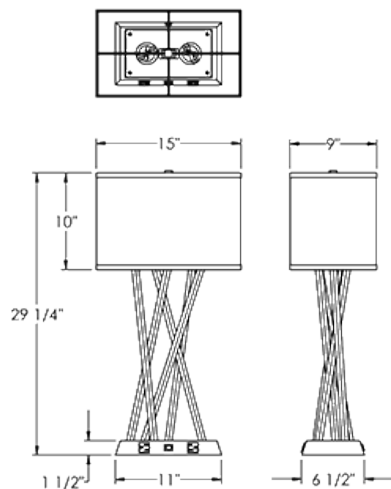
LAMPING:

(1)  **GU24** Base Socket, for LED A Style Bulb
or Self-Ballasted CFL





MODEL 4872-2



DIMENSIONS:

H: 29 1/4" D: 9" W: 15"

FINISH SHOWN:

SN Satin Nickel

SHADE MATERIAL SHOWN:

Sandstone White Linen

SHADE SIZE:

H: 10" D: 9" W: 15"


SWITCH:

On/Off Rocker Switch at Base

ADDITIONAL FEATURES:

2 Convenience Outlets

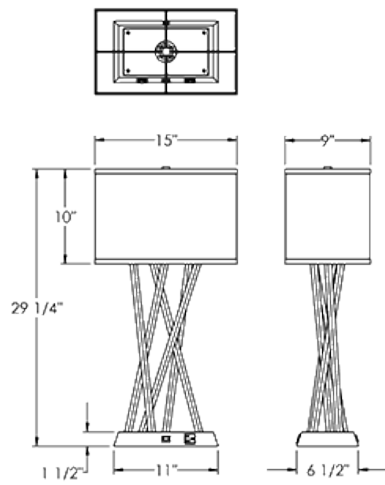
LAMPING:

(2)  GU24 Base Socket, for LED A Style Bulb or Self-Ballasted CFL





MODEL 4872



DIMENSIONS:

H: 29 1/4" D: 9" W: 15"

FINISH SHOWN:

SN Satin Nickel

SHADE MATERIAL SHOWN:

White Sandstone Linen

SHADE SIZE:

H: 10" D: 9" W: 15"


SWITCH:

On/Off Rocker Switch at Base

ADDITIONAL FEATURES:

1 Convenience Outlet

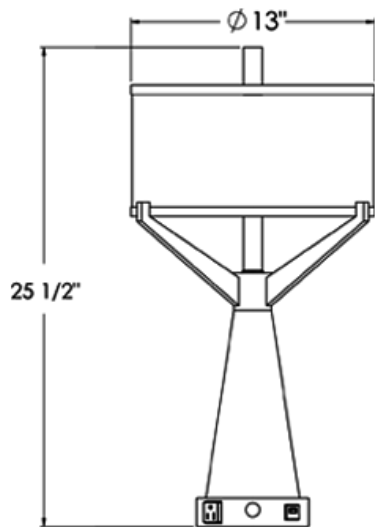
LAMPING:

(1)  **GU24** Base Socket, for LED A Style Bulb or Self-Ballasted CFL





MODEL 4873



DIMENSIONS:

H: 25 1/2" Dia: 13"

FINISH SHOWN:

PDMB Powder Coated Matte Black

SHADE MATERIAL SHOWN:

Beige Linen

SHADE SIZE:

H: 7" Dia: 13"

SWITCH:


Rotary Dimmer at Base

ADDITIONAL FEATURES:

1 Convenience Outlet

1 USB Port

LAMPING:

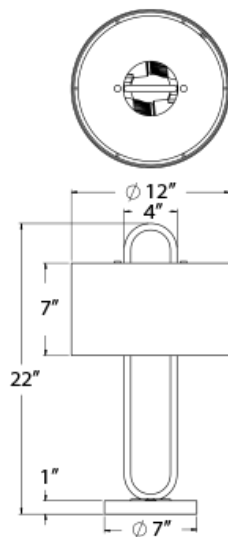
(2)  **Medium** Base Socket, for LED A Style

Bulb or Self-Ballasted CFL





MODEL 4874



DIMENSIONS:

H: 22" Dia: 12"

FINISH SHOWN:

PN Polished Nickel

SHADE MATERIAL SHOWN:

Shantung White with an Opal Matte Acrylic Top
Diffuser


SHADE SIZE:

H: 7" Dia: 12"

SWITCH:

3 Way Rocker at Base

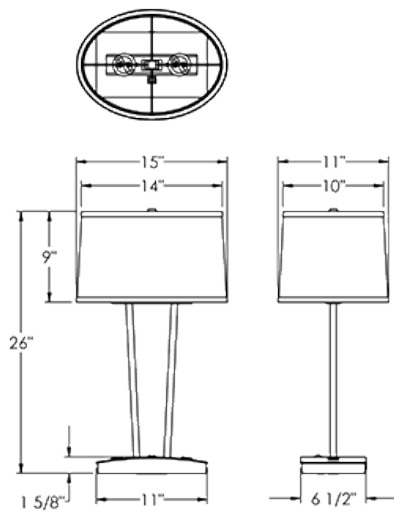
LAMPING:

(2)  **Medium** Base Socket, for LED A Style
Bulb or Self-Ballasted CFL





MODEL 4875



DIMENSIONS:

H: 26" D: 11" W: 15"

FINISH SHOWN:

SN Satin Nickel

SHADE MATERIAL SHOWN:

Laura White Linen

SHADE SIZE:

H: 9" D: 11" W: 15"


SWITCH:

3 Way Rocker at Base

ADDITIONAL FEATURES:

2 Convenience Outlets

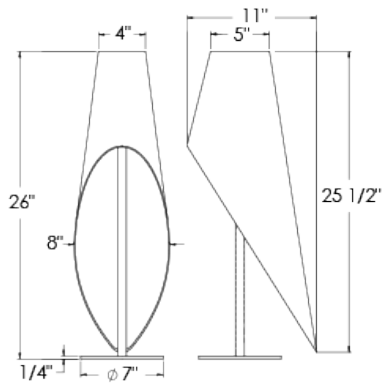
LAMPING:

(2)  **GU24** Base Socket, for LED A Style Bulb or Self-Ballasted CFL





MODEL 4878



DIMENSIONS:

H: 26" D: 11" W: 8"

FINISH SHOWN:

PDBL Powder Coated Black

SHADE MATERIAL SHOWN:

PDBL Powder Coated Black

Sahara Gold


SHADE SIZE:

H: 25 1/2" D: 11" W: 8"

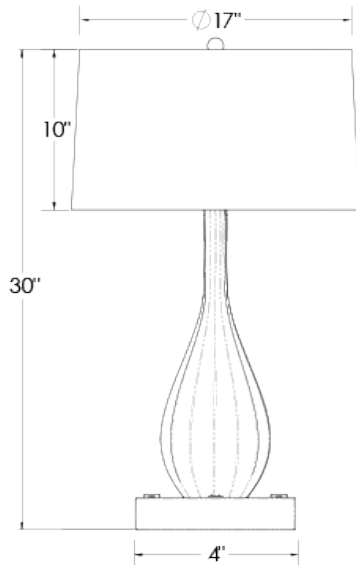
SWITCH:

Rotary Dimmer Switch at Socket

LAMPING:

(1)  **Medium** Base Socket, for LED A Style Bulb or Self-Ballasted CFL





DIMENSIONS:

H: 30" Dia: 17"

FINISH SHOWN:

HBA Hand Blown Amethyst Colored Glass

PC Polished Chrome

SHADE MATERIAL SHOWN:

Laura White Linen

SHADE SIZE:

H: 10" Dia: 17"


SWITCH:

3 Way Rocker at Base

ADDITIONAL FEATURES:

2 Convenience Outlets

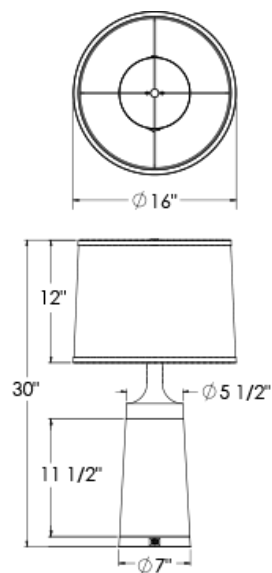
LAMPING:

(2)  **Medium** Base Socket, for LED A Style

Bulb or Self-Ballasted CFL



MODEL 4880



DIMENSIONS:

H: 30" Dia: 16"

FINISH SHOWN:

AGB Aged Brass
Powder Coated Gloss Black

SHADE MATERIAL SHOWN:

Shantung White


SHADE SIZE:

H: 12" Dia: 16"

SWITCH:

On/Off Rocker Switch

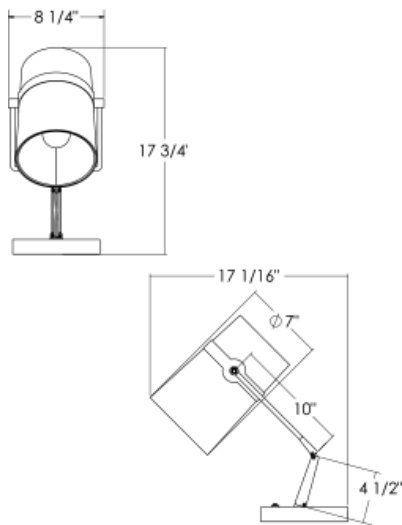
LAMPING:

(2)  **Medium** Base Socket, for LED A Style
Bulb or Self-Ballasted CFL





MODEL 4881



DIMENSIONS:

H: 17 3/4" D: 17 1/16" W: 8 1/4"

FINISH SHOWN:

SBZ Satin Bronze

SHADE MATERIAL SHOWN:

White Burlap Linen


SHADE SIZE:

H: 10" Dia: 7"

SWITCH:

On/Off Rocker Switch

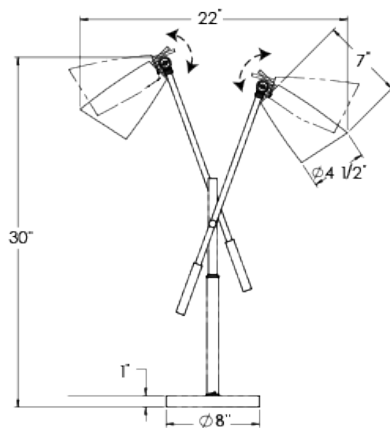
LAMPING:

(1)  **Medium** Base Socket, for LED A Style Bulb or Self-Ballasted CFL





MODEL 4882



DIMENSIONS:

H: 30" D: 8" W: 22"

FINISH SHOWN:

PDBL Powder Coated Black

PC Polished Chrome


SHADE SIZE:

H: 7" Dia: 4 1/2"

SWITCH:

On/Off Rocker Switch at Base

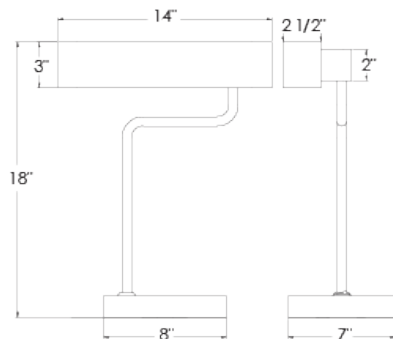
LAMPING:

(2)  **Medium** Base Socket, for LED A Style Bulb or Self-Ballasted CFL





MODEL 4890



DIMENSIONS:

H: 18" D: 7" W: 14"

FINISH SHOWN:

BN Brushed Nickel

SHADE MATERIAL SHOWN:

Linen Acrylic

SHADE SIZE:

H: 3" D: 2 1/2" W: 14"


SWITCH:

On/Off Rocker Switch at Base

ADDITIONAL FEATURES:

1 USB Port

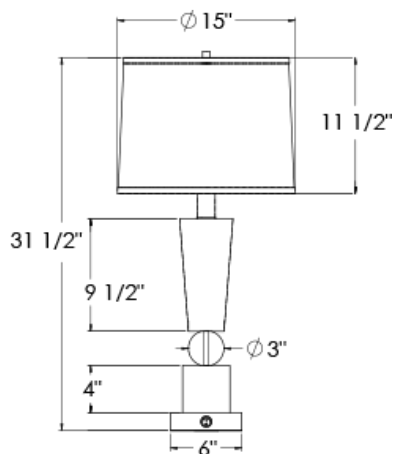
LAMPING:

(1)  **8T5** 8 Watt Mini Bi-Pin, T-5





MODEL 4891



DIMENSIONS:

H: $31\ 1/2"$ Dia: $15"$

FINISH SHOWN:

BCH Brushed Chrome

Matte White Acrylic

Clear Acrylic

SHADE MATERIAL SHOWN:

Canvas White Linen


SHADE SIZE:

H: $11\ 1/2"$ Dia: $15"$

ADDITIONAL FEATURES:

Round On/Off Rocker Switch

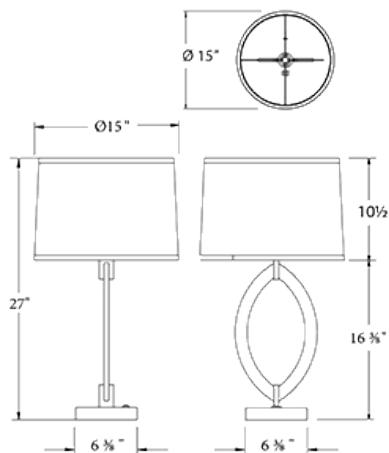
LAMPING:

(1)  **Medium** Base Socket, for LED A Style Bulb or Self-Ballasted CFL





MODEL 4892



DIMENSIONS:

H: 27" Dia: 15"

FINISH SHOWN:

SN Satin Nickel

SHADE MATERIAL SHOWN:

White Sandstone Linen


SHADE SIZE:

H: 10 1/2" Dia: 15"

SWITCH:

On/Off Rocker Switch at Base

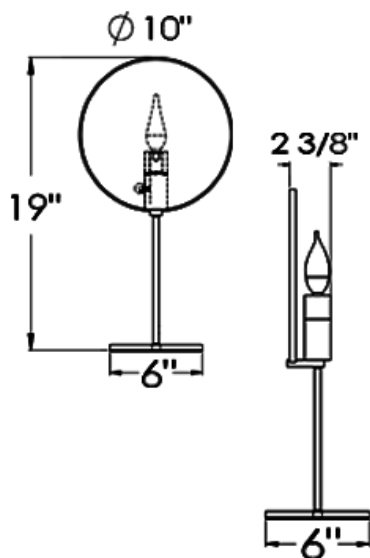
LAMPING:

(1)  **GU24** Base Socket, for LED A Style Bulb or Self-Ballasted CFL





MODEL 6521



DIMENSIONS:

H: 19" D: 6" W: 10"

FINISH SHOWN:

Polished Stainless Steel


SHADE MATERIAL SHOWN:

Bronze Acrylic Shade

SWITCH:

Rotary Dimmer Switch at Socket

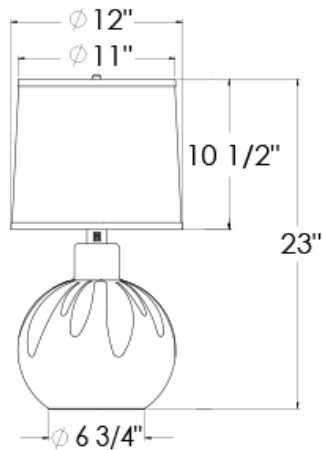
LAMPING:

(1)  E-12 Socket for Candelabra Base





MODEL 7002



DIMENSIONS:

H: 23" Dia: 12"

FINISH SHOWN:

Gloss Black with Gold Accents Ceramic Body

PB Polished Brass

SHADE MATERIAL SHOWN:

Huggy White


SHADE SIZE:

H: 10 1/2" Dia: 12"

SWITCH:

On/Off Rocker Switch Below Socket

LAMPING:

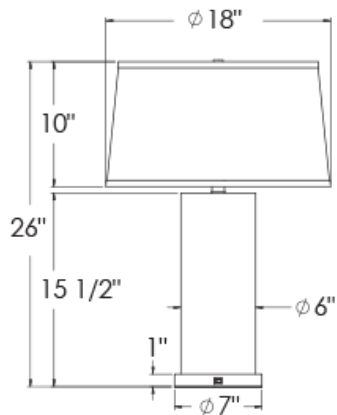
(1)  **Medium** Base Socket, for LED A Style

Bulb or Self-Ballasted CFL





MODEL 7006



DIMENSIONS:

H: 26 " Dia: 18 "

FINISH SHOWN:

SN Satin Nickel

SHADE MATERIAL SHOWN:

Huggy White


SHADE SIZE:

H: 10 " Dia: 18 "

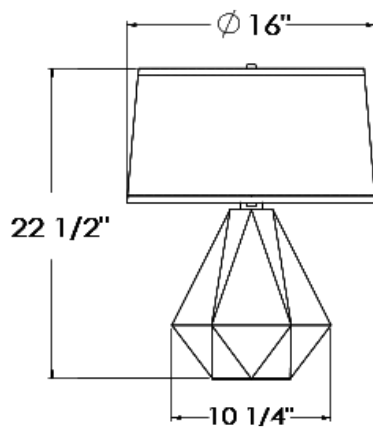
SWITCH:

On/Off Micro Rocker Switch

LAMPING:

(1)  **Medium** Base Socket, for LED A Style Bulb or Self-Ballasted CFL





DIMENSIONS:

H: 22 1/2" D: 8 7/8" W: 10 1/4"

FINISH SHOWN:

PC Polished Chrome

Custom Matte White

SHADE MATERIAL SHOWN:

Hardback Canvas White Linen


SHADE SIZE:

H: 9 3/4" Dia: 16"

SWITCH:

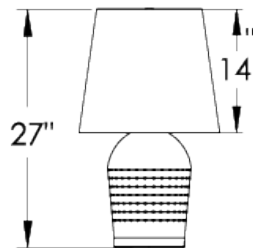
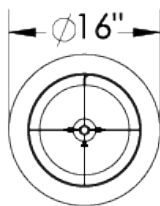
On/Off Rocker Switch

LAMPING:

(1)  **Medium** Base Socket, for LED A Style Bulb or Self-Ballasted CFL



MODEL 7010



DIMENSIONS:

H: 27" Dia: 16"

FINISH SHOWN:

Statuary Bronze

SHADE MATERIAL SHOWN:

Brussels White Linen


SHADE SIZE:

H: 14" Dia: 12"

SWITCH:

Rotary Dimmer Switch at Socket

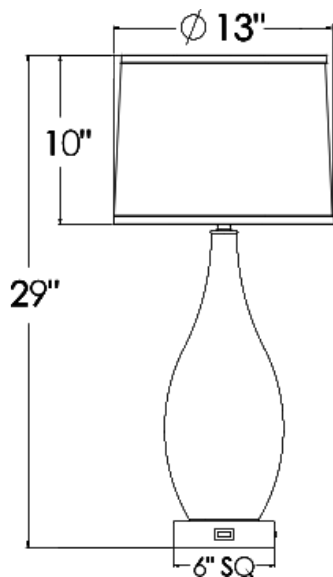
LAMPING:

(1)  **Medium** Base Socket, for 26 Watt
Self-Ballasted Quad Tube Compact Fluorescent or T
Type LED





MODEL 7238



DIMENSIONS:

H: 29" D: 6" W: 6"

FINISH SHOWN:

Sand Drift Ceramic

SHADE MATERIAL SHOWN:

Burlap Linen


SHADE SIZE:

H: 10" Dia: 13"

SWITCH:

On/Off Rocker Switch

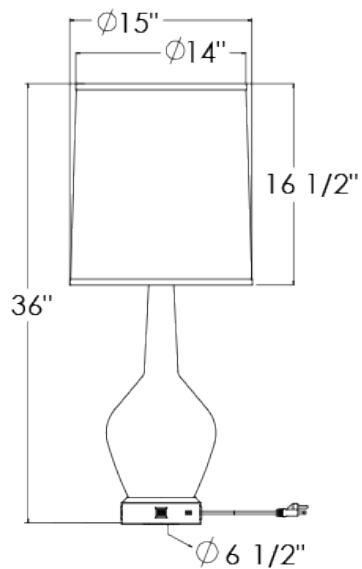
LAMPING:

(1)  **GU24** Base Socket, for LED A Style Bulb or Self-Ballasted CFL





MODEL 7244



DIMENSIONS:

H: 36" Dia: 15"

FINISH SHOWN:

OGC Orange Glossy Ceramic

PN Polished Nickel

SHADE MATERIAL SHOWN:

Oyster Linen

SHADE SIZE:

H: 16 1/2" Dia: 15"

SWITCH:


3-Way Rocker Switch

ADDITIONAL FEATURES:

1 USB Port

2 Convenience Outlets

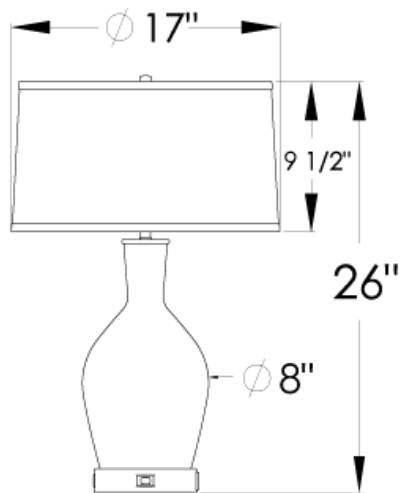
LAMPING:

(2)  **Medium** Base Socket, for LED A Style Bulb or Self-Ballasted CFL





MODEL 7253



DIMENSIONS:

H: 26" Dia: 17"

FINISH SHOWN:

ANTB Antique Brass

Ceramic Body

SHADE MATERIAL SHOWN:

Linda Cream Linen

SHADE SIZE:


H: 9 1/2" Dia: 17"

SWITCH:

On/Off Rocker Switch at Base

1 Convenience Outlet

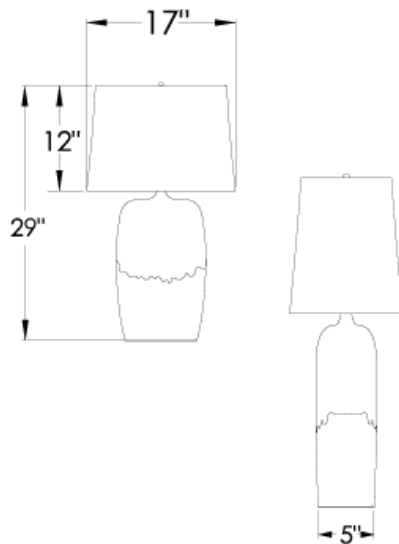
LAMPING:

(1)  **GU24** Base Socket, for LED A Style Bulb
or Self-Ballasted CFL





MODEL 7301



DIMENSIONS:

H: 29" D: 5" W: 17"

FINISH SHOWN:

Wh Powder Coated White

SHADE MATERIAL SHOWN:

Brussels White Linen


SHADE SIZE:

H: 12" Dia: 17"

SWITCH:

3-Way On/Off Turn Knob at Socket

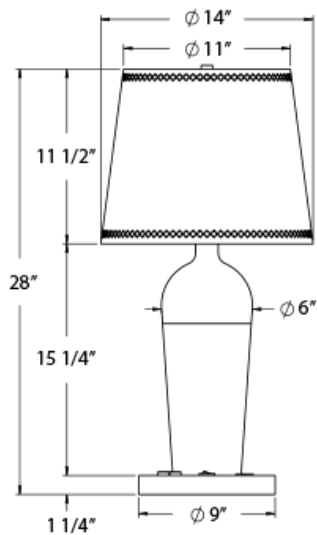
LAMPING:

(1)  **Medium** Base Socket, for LED A Style Bulb or Self-Ballasted CFL





MODEL 7477



DIMENSIONS:

H: 28" Dia: 14"

FINISH SHOWN:

Two Tone Ceramic

MWWMedium Walnut Wood

SHADE MATERIAL SHOWN:

Brussels White Linen with Stitched Detail with an Opal

Matte Acrylic Top Diffuser


SHADE SIZE:

H: $11 \frac{1}{2}"$ Dia: 14"

SWITCH:

On/Off Rocker Switch at Base

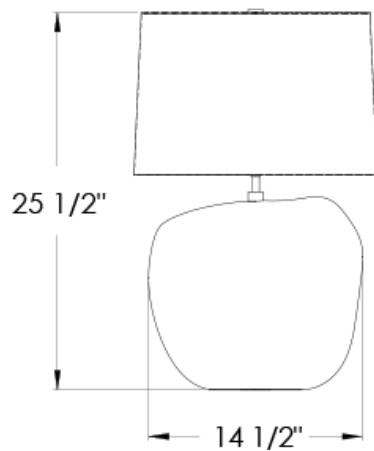
LAMPING:

(1)  **GU24** Base Socket, for LED A Style Bulb or Self-Ballasted CFL





MODEL 7540



DIMENSIONS:

H: 25 1/2" D: 7 3/4" W: 14 1/2"

FINISH SHOWN:

ANTB Antique Brass

Ceramic Body with Decorative Texture and Metallic Black Finish

SHADE MATERIAL SHOWN:

ANTB Antique Brass


SHADE SIZE:

H: 11" Dia: 16 1/2"

SWITCH:

Full Range Dimmer

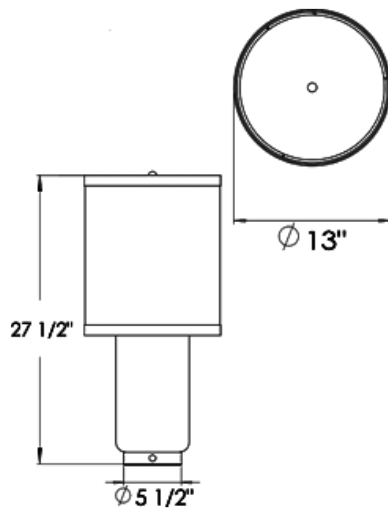
LAMPING:

(1)  **Medium** Base Socket, for LED A Style Bulb or Self-Ballasted CFL





MODEL 7553



DIMENSIONS:

H: 27 1/2" Dia: 13"

FINISH SHOWN:

Metallic Bronze Ceramic Body

ORBZ Oil Rubbed Bronze

SHADE MATERIAL SHOWN:

Hardback Shantung White


SHADE SIZE:

H: 15 1/4" Dia: 13"

SWITCH:

On/Off Rotary Switch on Base

LAMPING:

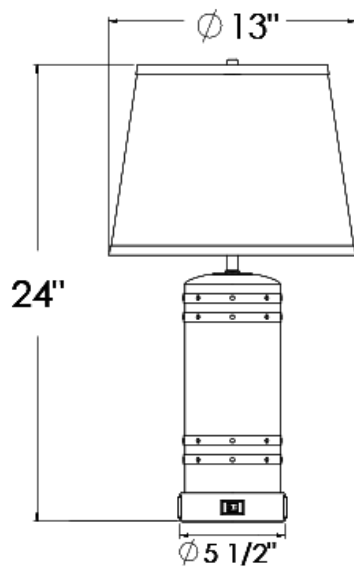
(1)  **Medium** Base Socket, for LED A Style

Bulb or Self-Ballasted CFL





MODEL 7586



DIMENSIONS:

H: 24" Dia: 5 1/2"

FINISH SHOWN:

Powder Coated Egrette White

BZ Bronze

SHADE MATERIAL SHOWN:

Hardback Canvas White Linen

SHADE SIZE:

H: 10" Dia: 13"


SWITCH:

On/Off Rocker Switch

ADDITIONAL FEATURES:

2 Convenience Outlets

LAMPING:

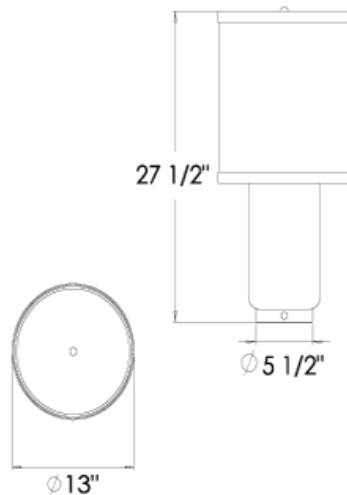
(1)  **Medium** Base Socket, for LED A Style

Bulb or Self-Ballasted CFL





MODEL 7600



DIMENSIONS:

H: 27 1/2" Dia: 13"

FINISH SHOWN:

Textured Gold Leaf Ceramic Body

BB Brushed Brass

SHADE MATERIAL SHOWN:

Hardback Shantung White with an Opal Matte Acrylic

Top Diffuser


SHADE SIZE:

H: 15 1/4" Dia: 13"

SWITCH:

3-Way Rotary Switch

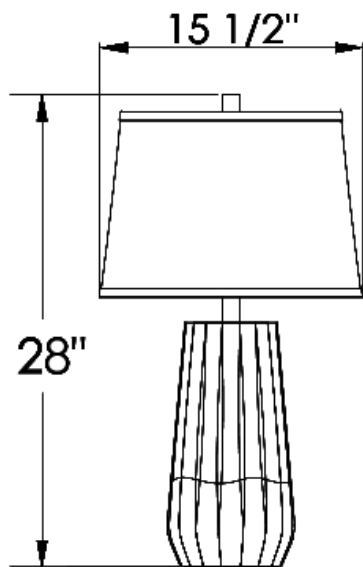
LAMPING:

(1)  **Medium** Base Socket, for LED A Style Bulb or Self-Ballasted CFL





MODEL 7854



DIMENSIONS:

H: 28" D: 9 1/2" W: 15 1/2"

FINISH SHOWN:

ORBZ Oil Rubbed Bronze

Ceramic Body

SHADE MATERIAL SHOWN:

Hardback CD Ivory


SHADE SIZE:

H: 11" D: 9 1/2" W: 15 1/2"

SWITCH:

2 On/Off Rocker Switches

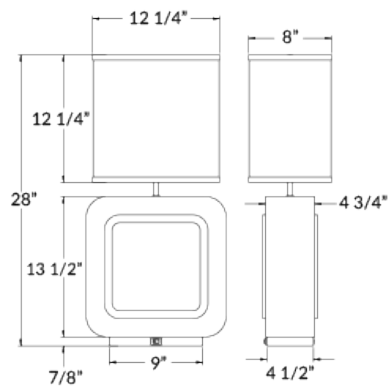
LAMPING:

(2)  **GU24** Base Socket, for LED A Style Bulb
or Self-Ballasted CFL





MODEL 7859



DIMENSIONS:

H: 28" D: 8" W: 13 1/2"

FINISH SHOWN:

PC Polished Chrome

IC Ivory Ceramic

SHADE MATERIAL SHOWN:

CD Ivory Linen


SHADE SIZE:

H: 12 1/4" D: 8" W: 12 1/4"

SWITCH:

On/Off Rocker Switch at Base

LAMPING:

(1)  **Medium** Base Socket, for LED A Style Bulb or Self-Ballasted CFL

