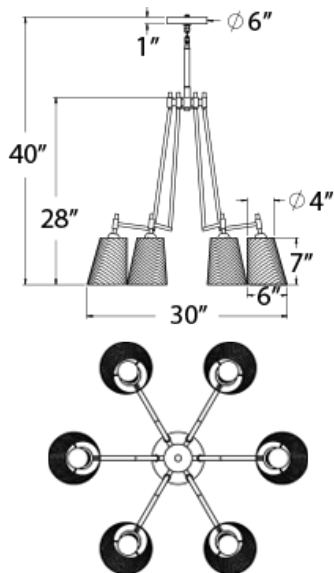


PENDANTS





DIMENSIONS:

H: 40 " D: 30 " W: 30 "

FINISH SHOWN:

ANTB Antique Brass

PDMB Powder Coated Matte Black


SHADE MATERIAL SHOWN:

Perforated Metal

SHADE SIZE:

H: 7" Dia: 6"

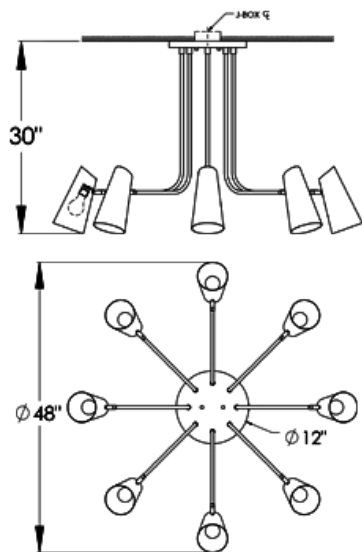
LAMPING:

(6)  **Medium** Base Socket, for LED A Style

Bulb or Self-Ballasted CFL



MODEL 1003-8



DIMENSIONS:

H: 30" Dia: 48"

FINISH SHOWN:


Matte Black

SHADE MATERIAL SHOWN:

Matte Black

ANTB Antique Brass

LAMPING:

(8)  **Medium** Base Socket, for LED A Style Bulb or Self-Ballasted CFL





MODEL 1420



DIMENSIONS:

H: 63" Dia: 40"


FINISH SHOWN:

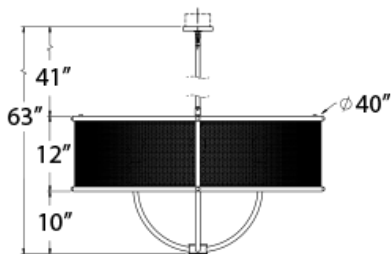
PDBZ Powder Coated Bronze

SHADE MATERIAL SHOWN:

Perforated Metal

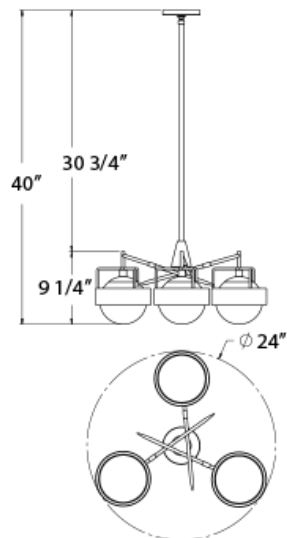
LAMPING:

(4)  **Medium** Base Socket, for LED A Style Bulb or Self-Ballasted CFL





MODEL 1856-3



DIMENSIONS:

H: 40" Dia: 24"

FINISH SHOWN:

BB Brushed Brass

SHADE MATERIAL SHOWN:

Frosted Glass

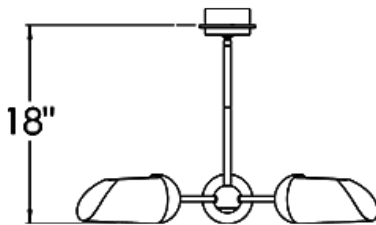
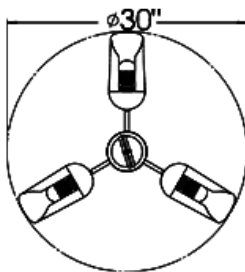
LAMPING:

(3)  E-12 Socket for Candelabra Base





MODEL 1956



DIMENSIONS:

H: 18" Dia: 30"


FINISH SHOWN:

BB Brushed Brass

SHADE MATERIAL SHOWN:

Opal Matte Acrylic Diffuser

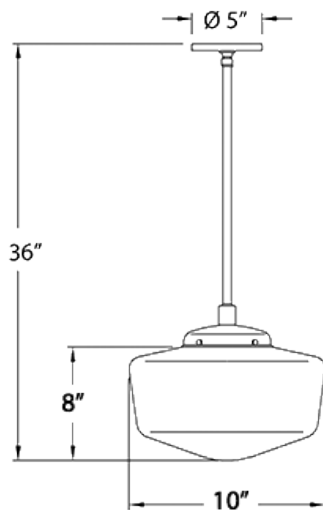
LAMPING:

(3)  **Medium** Base Socket, for LED A Style Bulb or Self-Ballasted CFL





MODEL 2001



DIMENSIONS:

H: 36" Dia: 10"

FINISH SHOWN:

ANTB Antique Brass

ALSO AVAILABLE IN:

PC Polished Chrome


PN Polished Nickel

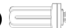
SC Satin Chrome


SHADE MATERIAL SHOWN:

Opal Matte Glass

LAMPING:

(1)  **C26T** 26 Watt Self-Ballasted Quad Tube Compact Fluorescent 4 Pin Electronic, GX24Q-3 Base

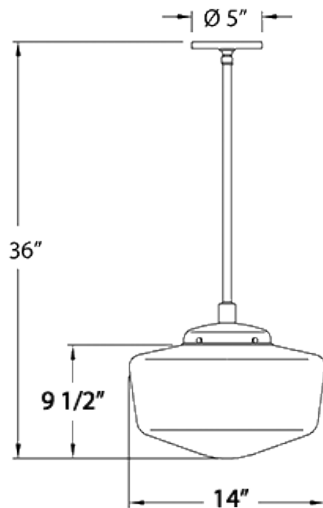
(1)  **C42T** 42 Watt Triple Tube Compact Fluorescent 4 Pin Electronic, GX24Q-4 Base

(1)  **Medium** Base Socket, for LED A Style Bulb or Self-Ballasted CFL





MODEL 2004



DIMENSIONS:

H: 36" Dia: 14"

FINISH SHOWN:

ANTB Antique Brass

ALSO AVAILABLE IN:

PC Polished Chrome


PN Polished Nickel


SC Satin Chrome


SHADE MATERIAL SHOWN:

Opal Matte Glass

LAMPING:

(1)  **C26T** 26 Watt Self-Ballasted Quad Tube Compact Fluorescent 4 Pin Electronic, GX24Q-3 Base

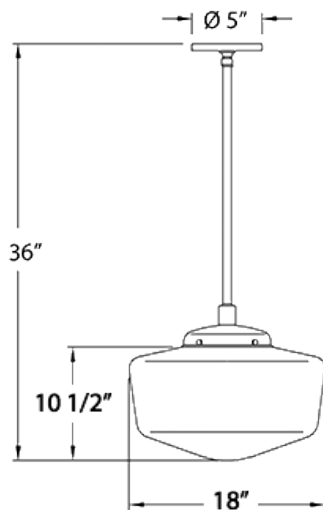
(1)  **C42T** 42 Watt Triple Tube Compact Fluorescent 4 Pin Electronic, GX24Q-4 Base

(1)  **Medium** Base Socket, for LED A Style Bulb or Self-Ballasted CFL





MODEL 2008



DIMENSIONS:

H: 36" Dia: 18"

FINISH SHOWN:

ANTB Antique Brass

ALSO AVAILABLE IN:

PC Polished Chrome


PN Polished Nickel


SC Satin Chrome


SHADE MATERIAL SHOWN:

Opal Matte Glass

LAMPING:

(1)  **C26T** 26 Watt Self-Ballasted Quad Tube Compact Fluorescent 4 Pin Electronic, GX24Q-3 Base

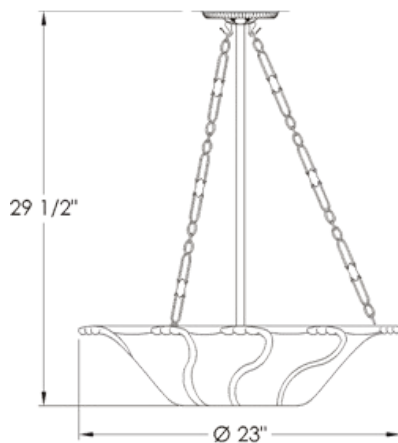
(1)  **C42T** 42 Watt Triple Tube Compact Fluorescent 4 Pin Electronic, GX24Q-4 Base

(1)  **Medium** Base Socket, for LED A Style Bulb or Self-Ballasted CFL





MODEL 2103



DIMENSIONS:

H: 29 1/2" Dia: 23"


FINISH SHOWN:


ANTB Antique Brass

SHADE MATERIAL SHOWN:

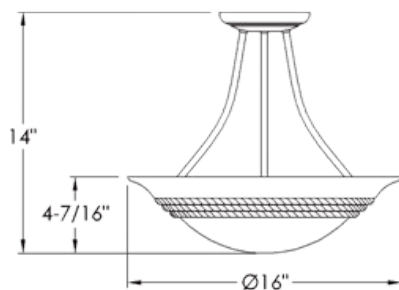
Hand Formed Piastra Glass

LAMPING:

(2)  **C13E** 13 Watt Quad Tube Compact
Fluorescent 4 Pin Electronic, G24Q-1 Base

(3)  **Medium** Base Socket, for LED A Style
Bulb or Self-Ballasted CFL





DIMENSIONS:

H: 14" Dia: 16"


FINISH SHOWN:

RN Rusty Nail


SHADE MATERIAL SHOWN:

Opal Matte Glass

LAMPING:

(2)  **C13E** 13 Watt Quad Tube Compact

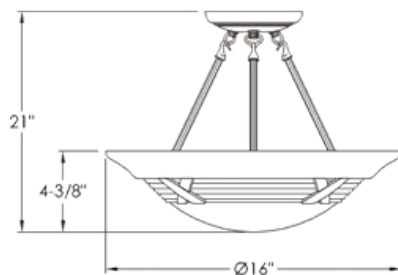
Fluorescent 4 Pin Electronic, G24Q-1 Base

(3)  **Medium** Base Socket, for LED A Style

Bulb or Self-Ballasted CFL



MODEL 2160



DIMENSIONS:

H: 33 1/2" Dia: 30 1/2"

FINISH SHOWN:


SN Satin Nickel


PB Polished Brass

SHADE MATERIAL SHOWN:

Opal Matte Glass

LAMPING:

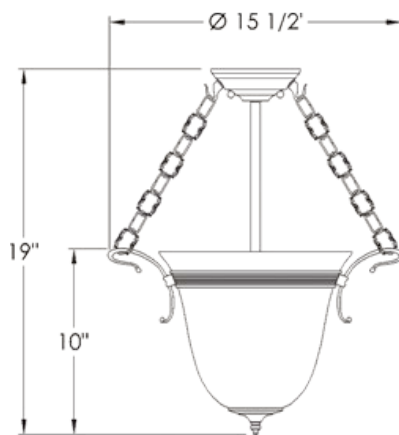
(2)  **C13E** 13 Watt Quad Tube Compact Fluorescent 4 Pin Electronic, G24Q-1 Base

(3)  **Medium** Base Socket, for LED A Style Bulb or Self-Ballasted CFL





MODEL 2166



DIMENSIONS:

H: 19" Dia: 15 1/2"


FINISH SHOWN:

ORBZ Oil Rubbed Bronze

SHADE MATERIAL SHOWN:

Antique Glass

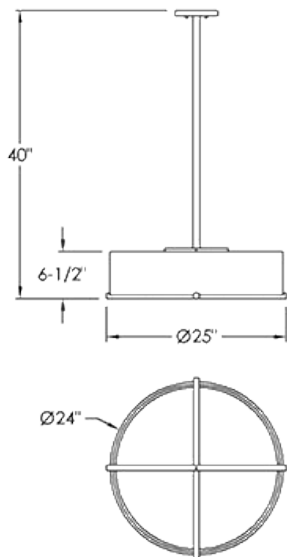
LAMPING:

(2)  **Medium** Base Socket, for LED A Style
Bulb or Self-Ballasted CFL





MODEL 2211



DIMENSIONS:

H: 40" Dia: 25"


FINISH SHOWN:


PC Polished Chrome

SHADE MATERIAL SHOWN:

Textured Splash Acrylic

LAMPING:

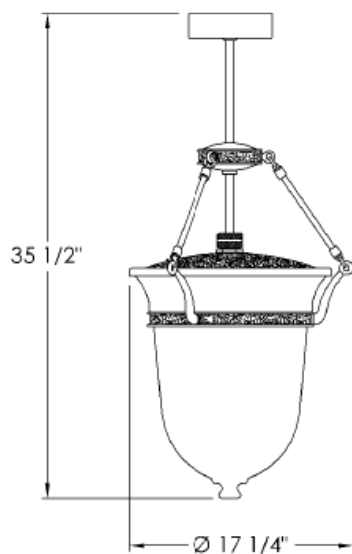
(3)  **Medium** Base Socket, for LED A Style Bulb or Self-Ballasted CFL

(3)  **GU24** Base Socket, for LED A Style Bulb or Self-Ballasted CFL





MODEL 2217



DIMENSIONS:

H: 35 1/2" Dia: 17 1/4"


FINISH SHOWN:

BZ Bronze

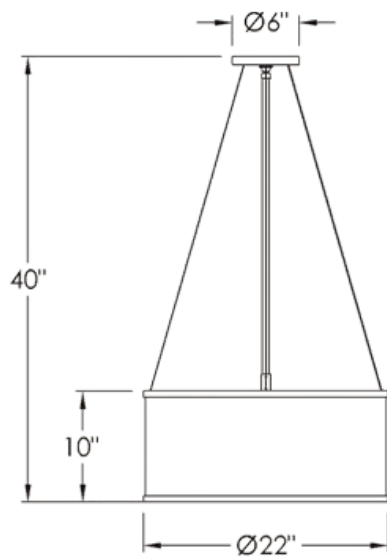
SHADE MATERIAL SHOWN:

Seedy Glass

LAMPING:

(2)  **Medium** Base Socket, for LED A Style
Bulb or Self-Ballasted CFL





DIMENSIONS:

H: 40" Dia: 22"


FINISH SHOWN:


PC Polished Chrome


SHADE MATERIAL SHOWN:

Perforated Metal with an Opal Matte Acrylic Backing
and Bottom Diffuser

LAMPING:

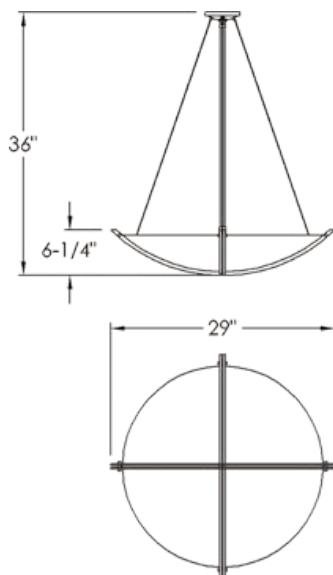
(4)  **C13E** 13 Watt Quad Tube Compact
Fluorescent 4 Pin Electronic, G24Q-1 Base

(4)  **C26E** 26 Watt Quad Tube Compact
Fluorescent 4 Pin Electronic, G24Q-3 Base

(3)  **Medium** Base Socket, for LED A Style
Bulb or Self-Ballasted CFL



MODEL 2239



DIMENSIONS:

H: 36" Dia: 29"




FINISH SHOWN:

PC Polished Chrome

SHADE MATERIAL SHOWN:

Opal Matte Acrylic

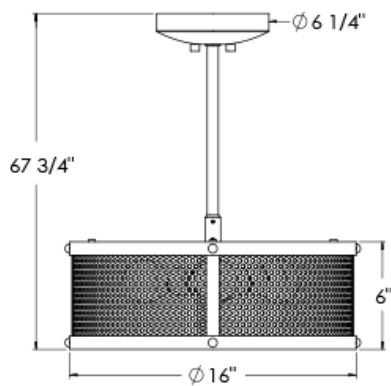
LAMPING:

- (4)  **C13E** 13 Watt Quad Tube Compact Fluorescent 4 Pin Electronic, G24Q-1 Base
- (4)  **C26E** 26 Watt Quad Tube Compact Fluorescent 4 Pin Electronic, G24Q-3 Base
- (3)  **Medium** Base Socket, for LED A Style Bulb or Self-Ballasted CFL





MODEL 2241



DIMENSIONS:

H: 67 3/4" Dia: 16"

FINISH SHOWN:

BZ Bronze


SHADE MATERIAL SHOWN:

Metal

SHADE SIZE:

H: 6" Dia: 16"

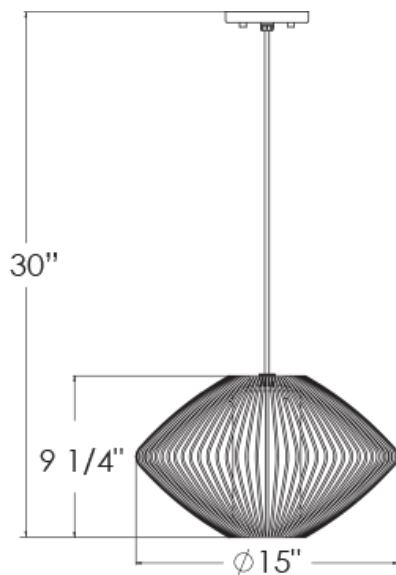
LAMPING:

(3)  **Medium** Base Socket, for LED A Style Bulb or Self-Ballasted CFL





MODEL 2249



DIMENSIONS:

H: 30" Dia: 15"


FINISH SHOWN:

PDBL Powder Coated Black

SHADE MATERIAL SHOWN:

Opal Matte Glass

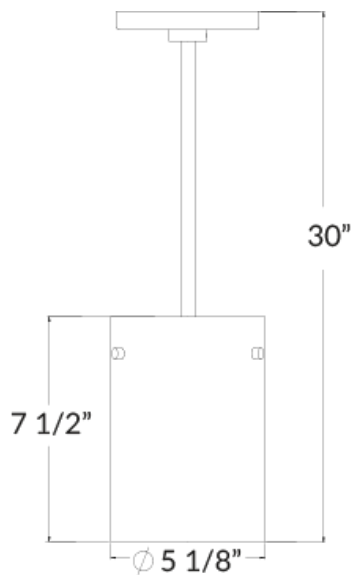
LAMPING:

(1)  **GU24** Base Socket, for LED A Style Bulb
or Self-Ballasted CFL





MODEL 2255



DIMENSIONS:

H: 30" **Dia:** 5 1/8"


FINISH SHOWN:


PC Polished Chrome

SHADE MATERIAL SHOWN:

Opal Matte Acrylic

LAMPING:

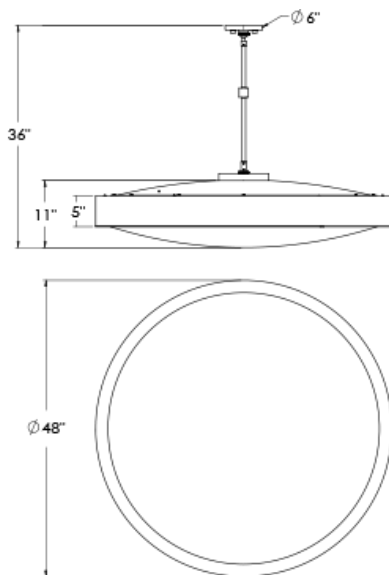
(1)  **GU24** Base Socket, for LED A Style Bulb or Self-Ballasted CFL

(1)  **Medium** Base Socket, for LED A Style Bulb or Self-Ballasted CFL





MODEL 2283



DIMENSIONS:

H: 36" Dia: 48"


FINISH SHOWN:

PDMB Powder Coated Matte Black

SHADE MATERIAL SHOWN:

Opal Matte Acrylic

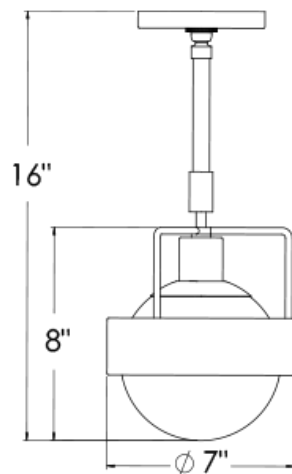
LAMPING:

(6)  **GU24** Base Socket, for LED A Style Bulb
or Self-Ballasted CFL





MODEL 2307



DIMENSIONS:

H: 16" Dia: 7"

FINISH SHOWN:


ORBZ Oil Rubbed Bronze

PDMB Powder Coated Matte Black

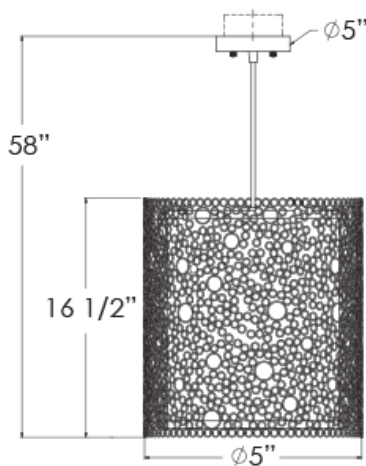
SHADE MATERIAL SHOWN:

Opal Matte Glass

LAMPING:

(1)  **Medium** Base Socket, for LED A Style Bulb or Self-Ballasted CFL





DIMENSIONS:

H: 35" Dia: 15"


FINISH SHOWN:


PDBL Powder Coated Black

SHADE MATERIAL SHOWN:

Canvas White Linen

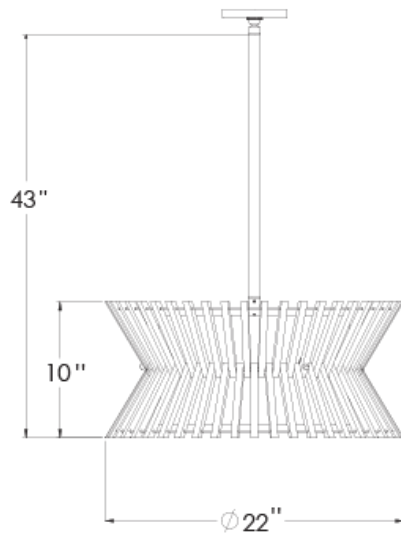
LAMPING:

(1)  **Medium** Base Socket, for LED A Style Bulb or Self-Ballasted CFL

(1)  **GU24** Base Socket, for LED A Style Bulb or Self-Ballasted CFL



MODEL 2367



DIMENSIONS:

H: 43" Dia: 22"

FINISH SHOWN:


AP Antique Pewter


WW Walnut Wood

SHADE MATERIAL SHOWN:

CD Ivory Linen with an Opal Matte Acrylic Bottom
Diffuser

LAMPING:

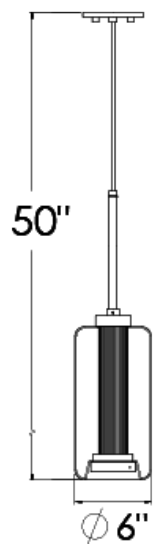
(3)  **Medium** Base Socket, for LED A Style
Bulb or Self-Ballasted CFL

(3)  **GU24** Base Socket, for LED A Style Bulb
or Self-Ballasted CFL





MODEL 2386



DIMENSIONS:

H: 50" **Dia:** 6"


FINISH SHOWN:

ANTB Antique Brass

SHADE MATERIAL SHOWN:

CG Clear Glass

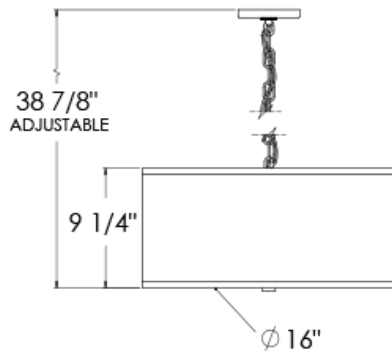
LAMPING:

 **L14.5-35K** 14.5 Watts, 3000K LED





MODEL 2413-16



DIMENSIONS:

H: 38 7/8" Dia: 16 "

FINISH SHOWN:

Vintage Brass


SHADE MATERIAL SHOWN:

Black Parchment with Gold Antiquing with an Opal
Matte Acrylic Bottom Diffuser

SHADE SIZE:

H: 9 1/4 " Dia: 16 "

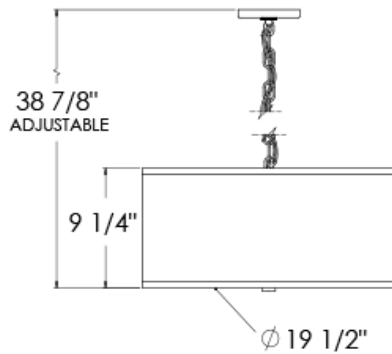
LAMPING:

(3)  **GU24** Base Socket, for LED A Style Bulb
or Self-Ballasted CFL





MODEL 2413



DIMENSIONS:

H: 38 7/8 " Dia: 19 1/2"

FINISH SHOWN:

Vintage Brass


SHADE MATERIAL SHOWN:

Black Parchment with Gold Antiquing with an Opal
Matte Acrylic Bottom Diffuser

SHADE SIZE:

H: 9 1/4 " Dia: 19 1/2"

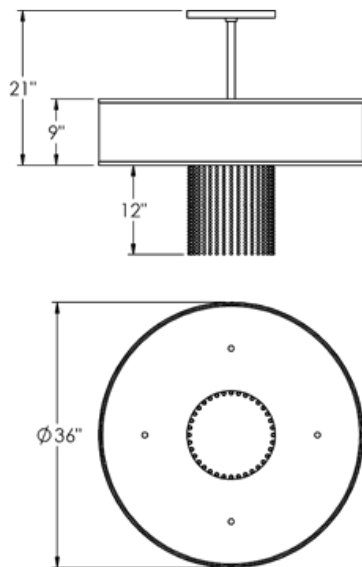
LAMPING:

(3)  **GU24** Base Socket, for LED A Style Bulb
or Self-Ballasted CFL





MODEL 2435



DIMENSIONS:

H: 9" Dia: 36"

FINISH SHOWN:

SDB Standard Bronze

SN Satin Nickel


SHADE MATERIAL SHOWN:

CD Ivory Linen with an Opal Matte Acrylic Bottom
Diffuser

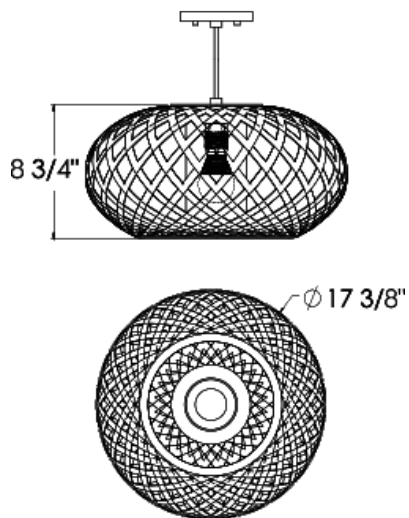
SHADE SIZE:

H: 9" Dia: 36"

LAMPING:

(6)  **Medium** Base Socket, for LED A Style
Bulb or Self-Ballasted CFL





DIMENSIONS:

H: 8 3/4" Dia: 17 3/8"

FINISH SHOWN:

PDBW Powder Coated Bengal White


CWF Custom Wood Finish

SHADE MATERIAL SHOWN:

Opal Matte Glass

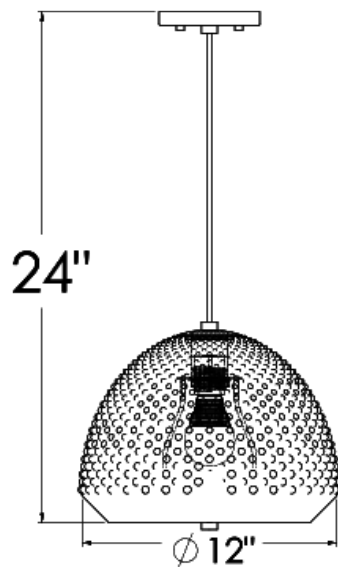
Woven Rattan Band

LAMPING:

(1)  **Medium** Base Socket, for LED A Style Bulb or Self-Ballasted CFL



MODEL 2441



DIMENSIONS:

H: 24" Dia: 12"

FINISH SHOWN:


Powder Coated Bengal White

SHADE MATERIAL SHOWN:

Opal Matte Glass

with an Opal Matte Acrylic Bottom Diffuser

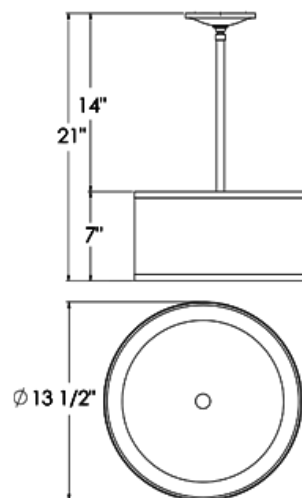
LAMPING:

(1)  **Medium** Base Socket, for LED A Style Bulb or Self-Ballasted CFL





MODEL 2444



DIMENSIONS:

H: 21" Dia: 13 1/2"

FINISH SHOWN:

PN Polished Nickel

SHADE MATERIAL SHOWN:

Black Leatherete Shade with Gold Interior with an Opal Matte Acrylic Bottom Diffuser

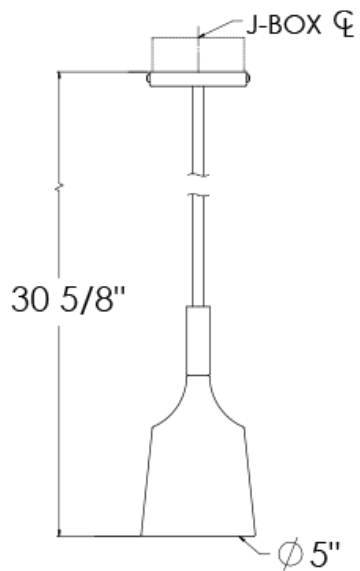
LAMPING:

(2)  **GU24** Base Socket, for 18 Watt Quad CFL





MODEL 2464



DIMENSIONS:

H: 30 5/8" Dia: 5"

FINISH SHOWN:


PDBL Powder Coated Black

PDMW Powder Coated Matte White

SHADE MATERIAL SHOWN:

Spun Metal Shade

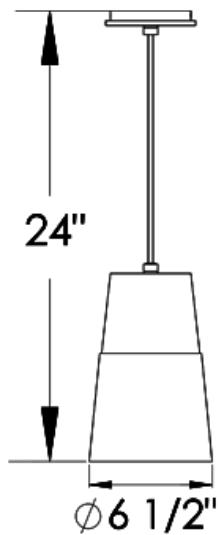
LAMPING:

(1)  **GU24** Base Socket, for LED A Style Bulb
or Self-Ballasted CFL





MODEL 2502



DIMENSIONS:

H: 24" Dia: 6 1/2"

FINISH SHOWN:

BS Brushed Stainless Steel

SHADE MATERIAL SHOWN:


Faux Wood Medium Walnut

Opal Matte Glass

SHADE SIZE:

H: 5 3/4" Dia: 6 1/2"

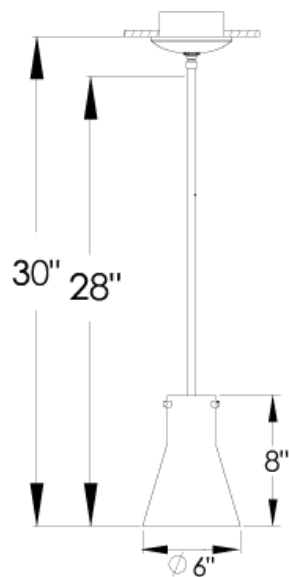
LAMPING:

(1)  **Medium** Base Socket, for LED A Style Bulb or Self-Ballasted CFL





MODEL 2512



DIMENSIONS:

H: 30" Dia: 6"

FINISH SHOWN:

ANTB Antique Brass


SHADE MATERIAL SHOWN:

Smoke Glass Shade

SHADE SIZE:

H: 8" Dia: 6"

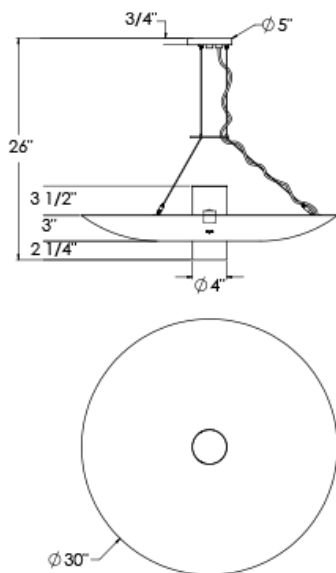
LAMPING:

(1)  **Medium** Base Socket, for LED A Style Bulb or Self-Ballasted CFL





MODEL 2513



DIMENSIONS:

H: 26" Dia: 30"

FINISH SHOWN:

PDMB Powder Coated Matte Black


SHADE MATERIAL SHOWN:

Metal

ALSO AVAILABLE IN:

Opal Acrylic Diffuser

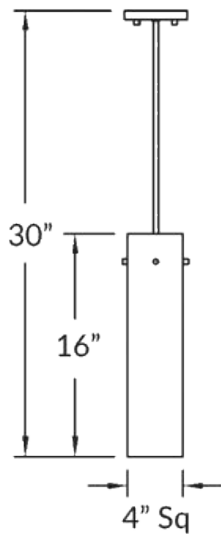
LAMPING:

(2)  **L3-27K** 3 Watts, 2700K LED





MODEL 2520



DIMENSIONS:

H: 30" D: 4" W: 4"

FINISH SHOWN:

PC Polished Chrome

ALSO AVAILABLE IN:

SN Satin Nickel


ANTB Antique Brass


SDB Standard Bronze

SHADE MATERIAL SHOWN:

Opal Matte Glass

LAMPING:

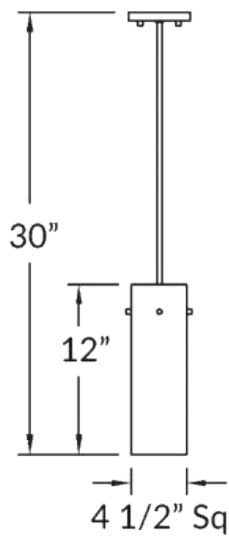
(1)  **Medium** Base Socket, for LED A Style Bulb or Self-Ballasted CFL

(1)  **GU24** Base Socket, for LED A Style Bulb or Self-Ballasted CFL





MODEL 2527



DIMENSIONS:

H: 30" D: 4 1/2" W: 4 1/2"

FINISH SHOWN:

PC Polished Chrome

ALSO AVAILABLE IN:

SN Satin Nickel


ANTB Antique Brass


SDB Standard Bronze

SHADE MATERIAL SHOWN:

Sienna Matte Glass

LAMPING:

(1)  **Medium** Base Socket, for LED A Style Bulb or Self-Ballasted CFL

(1)  **GU24** Base Socket, for LED A Style Bulb or Self-Ballasted CFL





MODEL 2541



DIMENSIONS:

H: 17" Dia: 19"


FINISH SHOWN:

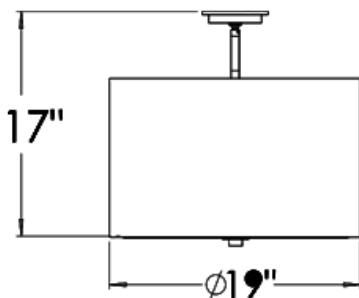
BB Brushed Brass

SHADE MATERIAL SHOWN:

Hardback Off White Shantung

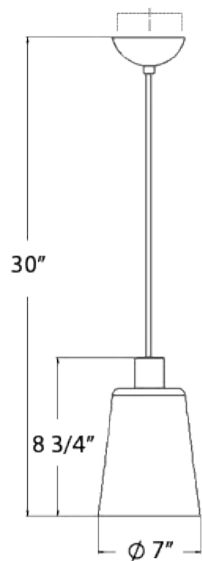
LAMPING:

(3)  **Medium** Base Socket, for LED A Style
Bulb or Self-Ballasted CFL





MODEL 2572



DIMENSIONS:

H: 30" Dia: 7"

FINISH SHOWN:

PC Polished Chrome

ALSO AVAILABLE IN:

SN Satin Nickel


ANTB Antique Brass


SDB Standard Bronze

SHADE MATERIAL SHOWN:

Opal Matte Glass

LAMPING:

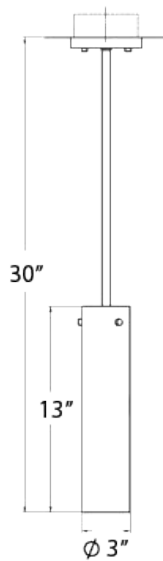
(1)  **Medium** Base Socket, for LED A Style Bulb or Self-Ballasted CFL

(1)  **GU24** Base Socket, for LED A Style Bulb or Self-Ballasted CFL





MODEL 2574



DIMENSIONS:

H: 30" Dia: 3"

FINISH SHOWN:

PC Polished Chrome

ALSO AVAILABLE IN:

SN Satin Nickel


ANTB Antique Brass


SDB Standard Bronze

SHADE MATERIAL SHOWN:

Opal Matte Glass

LAMPING:

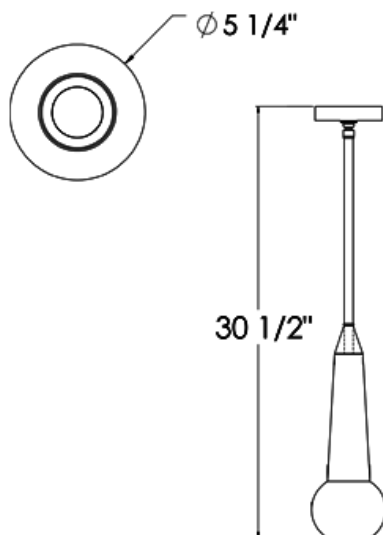
(1)  **Medium** Base Socket, for LED A Style Bulb or Self-Ballasted CFL

(1)  **GU24** Base Socket, for LED A Style Bulb or Self-Ballasted CFL





MODEL 2577



DIMENSIONS:

H: 30 1/2" Dia: 5 1/4"


FINISH SHOWN:

Satin Copper

SHADE MATERIAL SHOWN:

Copper Glass Diffuser

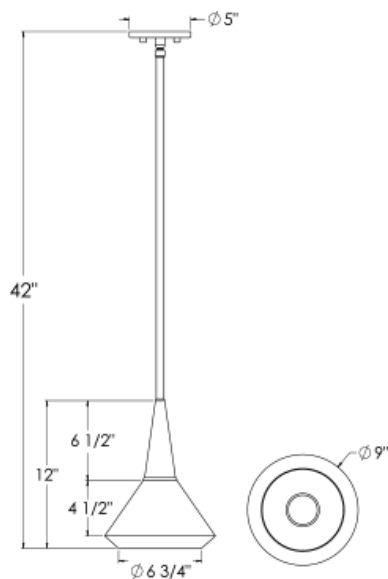
LAMPING:

(1)  GU10 Base 7 Watt LED





MODEL 2593



DIMENSIONS:

H: 42" Dia: 9"


FINISH SHOWN:

BZ Bronze

SHADE SIZE:

H: 12" Dia: 9"

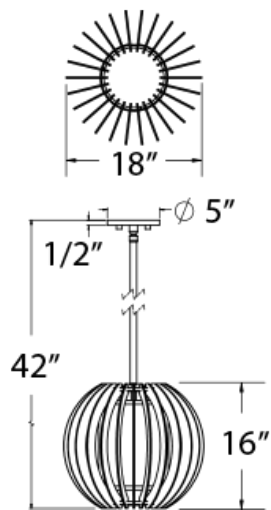
LAMPING:

(1)  **Medium** Base Socket, for LED A Style Bulb or Self-Ballasted CFL





MODEL 2603



DIMENSIONS:

H: 42" Dia: 18"

FINISH SHOWN:

BZ Bronze

SHADE MATERIAL SHOWN:


Ash Wood

Laura White Linen

SHADE SIZE:

H: 16" Dia: 18"

LAMPING:

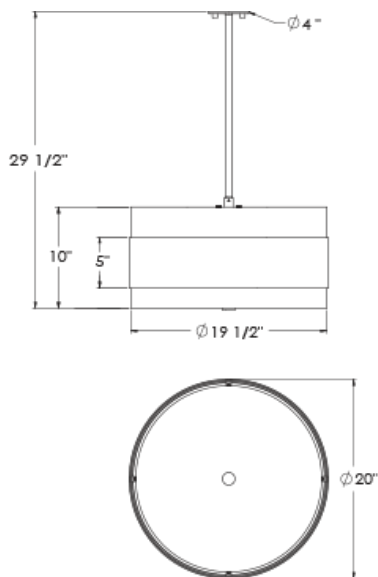
(1)  **Medium** Base Socket, for LED A Style

Bulb or Self-Ballasted CFL





MODEL 2647



DIMENSIONS:

H: $29\ 1/2''$ Dia: $20''$

FINISH SHOWN:

PDBL Powder Coated Black

SHADE MATERIAL SHOWN:


Opal Matte Acrylic

Hardback Canvas White Linen

SHADE SIZE:

H: $10''$ Dia: $20''$

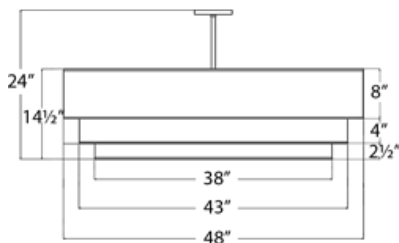
LAMPING:

(2)  **GU24** Base Socket, for LED A Style Bulb
or Self-Ballasted CFL





MODEL 2654



DIMENSIONS:

H: 24" Dia: 48"

FINISH SHOWN:

BN Brushed Nickel


SHADE MATERIAL SHOWN:


Anna Cream Silk

SHADE SIZE:

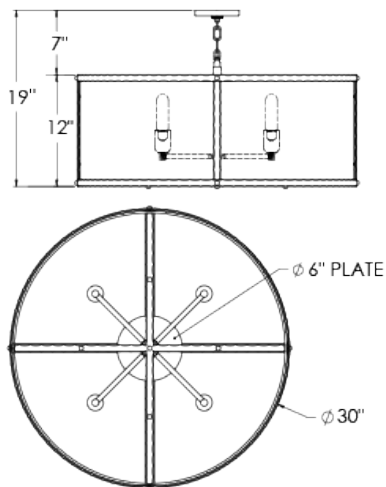
H: 14 1/2" Dia: 48"

LAMPING:

(5)  **GU24** Base Socket, for LED A Style Bulb or Self-Ballasted CFL

(5)  **Medium** Base Socket, for LED A Style Bulb or Self-Ballasted CFL





DIMENSIONS:

H: 19" Dia: 30 "


FINISH SHOWN:

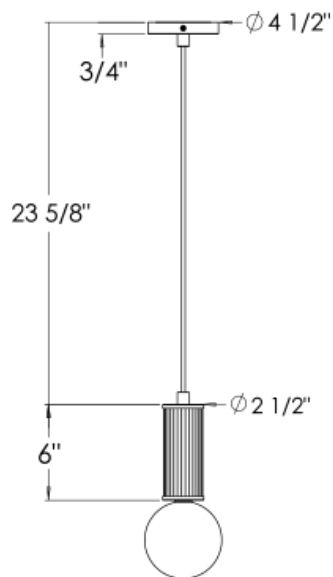
PDBZ Powder Coated Bronze

SHADE MATERIAL SHOWN:

Gold Organza

LAMPING:

(4)  **Medium** Base Socket, for LED A Style
Bulb or Self-Ballasted CFL



DIMENSIONS:


H: 29 5/8" Dia: 4 1/2"

FINISH SHOWN:

SB Satin Brass

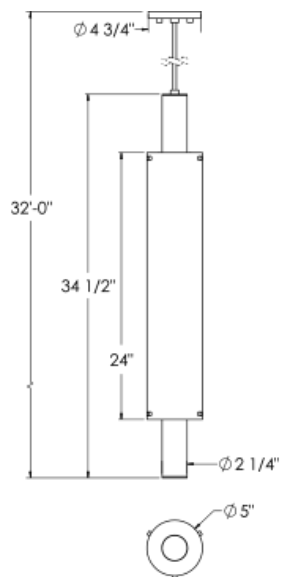
Matte Black

LAMPING:

(1)  **Medium** Base Socket, for LED A Style Bulb or Self-Ballasted CFL



MODEL 2689



DIMENSIONS:

H: 34 1/2" Dia: 5"

FINISH SHOWN:

SN Satin Nickel

SHADE MATERIAL SHOWN:

Opal Matte Acrylic

SHADE SIZE:

H: 24" Dia: 5"

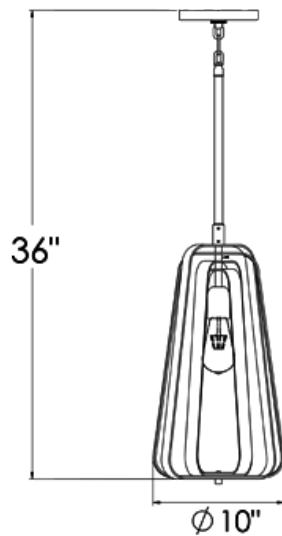
LAMPING:

 **L11-35K** 11 Watts, 3500K LED





MODEL 2692




DIMENSIONS:

H: 36" Dia: 10"

FINISH SHOWN:

SBZ Satin Bronze

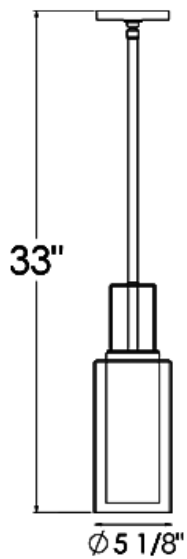
LAMPING:

(1)  **Medium** Base Socket, for LED A Style
Antique Bulb





MODEL 2703



DIMENSIONS:

H: 33" Dia: 5 1/8"

FINISH SHOWN:

Matte Black


SHADE MATERIAL SHOWN:

Opal Matte Glass Inner Diffuser with Clear Outer
Diffuser

SHADE SIZE:

H: 10" Dia: 5 1/8"

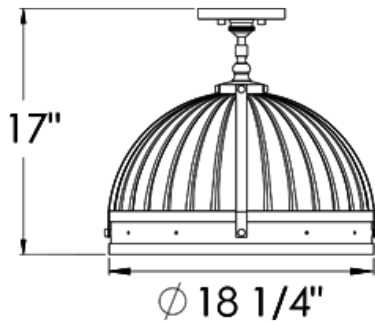
LAMPING:

(1)  **GU24** Base Socket, for LED A Style Bulb
or Self-Ballasted CFL





MODEL 2708



DIMENSIONS:

H: 17" Dia: 18 1/4"

FINISH SHOWN:


SBZ Satin Bronze

SHADE MATERIAL SHOWN:

Frosted Ribbed Glass

Acrylic Bottom Diffuser

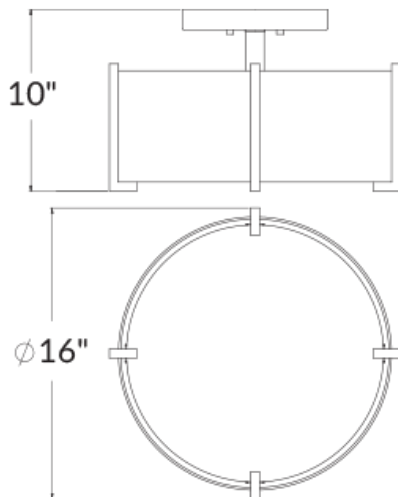
LAMPING:

(1)  **Medium** Base Socket, for LED A Style Bulb or Self-Ballasted CFL





MODEL 2718



DIMENSIONS:

H: 10" Dia: 16"

FINISH SHOWN:

SN Satin Nickel


ALSO AVAILABLE IN:


SDB Standard Bronze

SHADE MATERIAL SHOWN:

Linen Acrylic

LAMPING:

(2)  **C26E** 26 Watt Quad Tube Compact
Fluorescent 4 Pin Electronic, G24Q-3 Base

(2)  **Medium** Base Socket, for LED A Style
Bulb or Self-Ballasted CFL





MODEL 2719-4



DIMENSIONS:

H: 32" D: 71" W: 71"

FINISH SHOWN:

SA Satin Aluminum


SHADE MATERIAL SHOWN:


Cherry Wood Acrylic with an Opal Matte Acrylic
Bottom Diffuser

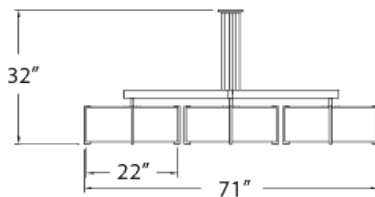
ALSO AVAILABLE IN:

Linen Acrylic
Opal Matte Acrylic

LAMPING:

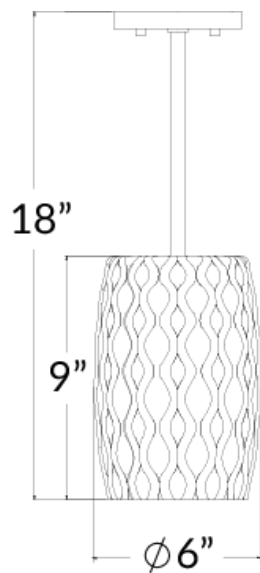
(8)  **C26E** 26 Watt Quad Tube Compact
Fluorescent 4 Pin Electronic, G24Q-3 Base

(8)  **Medium** Base Socket, for LED A Style
Bulb or Self-Ballasted CFL





MODEL 2736



DIMENSIONS:

H: 18" Dia: 6"

FINISH SHOWN:

PC Polished Chrome

ALSO AVAILABLE IN:

SN Satin Nickel


ANTB Antique Brass


SDB Standard Bronze

SHADE MATERIAL SHOWN:

Opal Matte Glass

LAMPING:

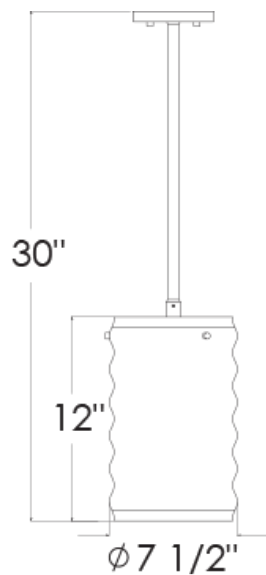
(1)  **Medium** Base Socket, for LED A Style Bulb or Self-Ballasted CFL

(1)  **GU24** Base Socket, for LED A Style Bulb or Self-Ballasted CFL





MODEL 2737



DIMENSIONS:

H: 30" Dia: 7 1/2"

FINISH SHOWN:

PC Polished Chrome

ALSO AVAILABLE IN:

SN Satin Nickel


ANTB Antique Brass


SDB Standard Bronze

SHADE MATERIAL SHOWN:

Opal Matte Glass

LAMPING:

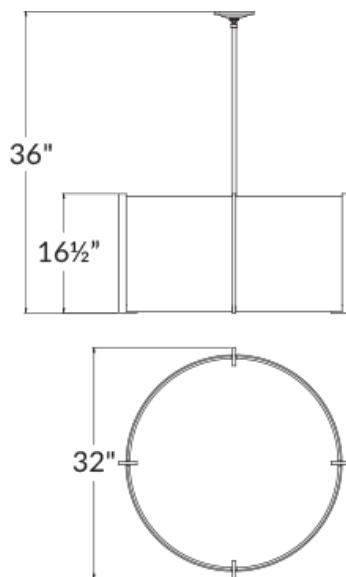
(1)  **Medium** Base Socket, for LED A Style Bulb or Self-Ballasted CFL

(1)  **GU24** Base Socket, for LED A Style Bulb or Self-Ballasted CFL





MODEL 2741



DIMENSIONS:

H: 36" Dia: 32"


FINISH SHOWN:


BZ Bronze

SHADE MATERIAL SHOWN:

Milan Quarry Acrylic

LAMPING:

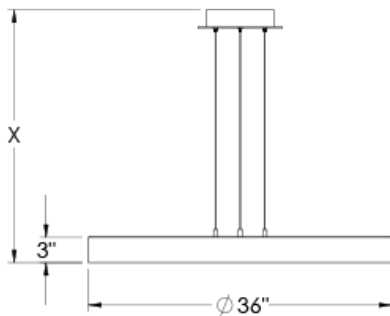
(4)  **C26E** 26 Watt Quad Tube Compact
Fluorescent 4 Pin Electronic, G24Q-3 Base

(4)  **Medium** Base Socket, for LED A Style
Bulb or Self-Ballasted CFL





MODEL 2769



DIMENSIONS:

H: 3" Dia: 36"

FINISH SHOWN:

Wh Powder Coated White

SHADE MATERIAL SHOWN:

Opal Matte Acrylic Diffuser

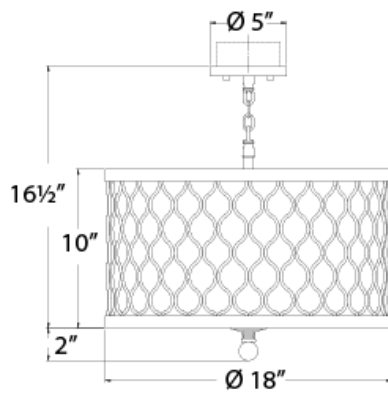
LAMPING:

 **L44-30K** 44 Watts, 3000K LED





MODEL 2820



DIMENSIONS:

H: 18 1/2" Dia: 18"


FINISH SHOWN:


PN Polished Nickel

SHADE MATERIAL SHOWN:

Linen Acrylic

LAMPING:

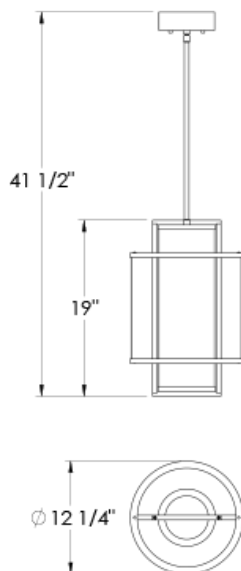
(3)  **GU24** Base Socket, for LED A Style Bulb or Self-Ballasted CFL

(3)  **Medium** Base Socket, for LED A Style Bulb or Self-Ballasted CFL





MODEL 2845



DIMENSIONS:

H: 41 1/2" Dia: 12 1/4"

FINISH SHOWN:

PDBZ Powder Coated Bronze

ALSO AVAILABLE IN:

PC Polished Chrome

SN Satin Nickel


PB Polished Brass

SHADE MATERIAL SHOWN:


Opal Matte Acrylic Inner Diffuser with Clear Opal

Matte Acrylic Outer Diffuser


LAMPING:

(1)  **C42T** 42 Watt Triple Tube Compact

Fluorescent 4 Pin Electronic, GX24Q-4 Base

(1)  **C26E** 26 Watt Quad Tube Compact

Fluorescent 4 Pin Electronic, G24Q-3 Base

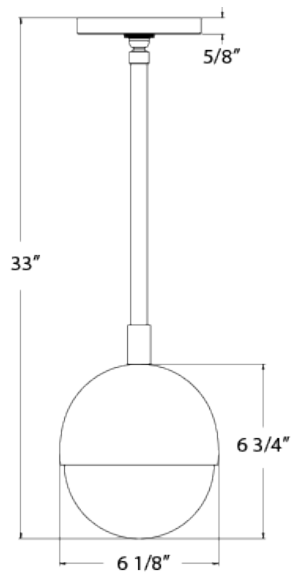
(1)  **Medium** Base Socket, for LED A Style

Bulb or Self-Ballasted CFL





MODEL 2847



DIMENSIONS:

H: 33 " Dia: 6 1/8 "


FINISH SHOWN:

SB Satin Brass

SHADE MATERIAL SHOWN:

Opal Matte Glass

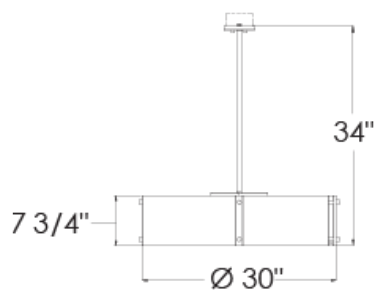
LAMPING:

(1)  **GU24** Base Socket, for LED A Style Bulb
or Self-Ballasted CFL





MODEL 2851



DIMENSIONS:

H: 34" Dia: 30"

FINISH SHOWN:

PC Polished Chrome

ALSO AVAILABLE IN:

SN Satin Nickel


ANTB Antique Brass


SDB Standard Bronze

SHADE MATERIAL SHOWN:

Frosted Acrylic

LAMPING:

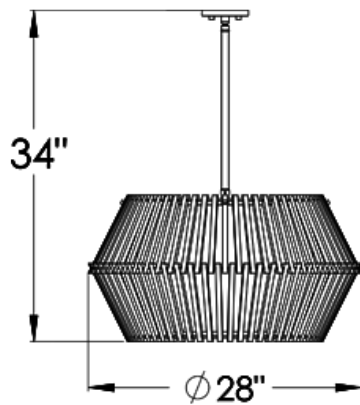
(4)  **Medium** Base Socket, for LED A Style Bulb or Self-Ballasted CFL

(4)  **GU24** Base Socket, for LED A Style Bulb or Self-Ballasted CFL





MODEL 2867



DIMENSIONS:

H: 34" Dia: 28"

FINISH SHOWN:

BN Brushed Nickel

WW Walnut Wood

SHADE MATERIAL SHOWN:

Laura White Linen with an Opal Matte Acrylic Bottom
Diffuser

SHADE SIZE:

H: 15" Dia: 28"

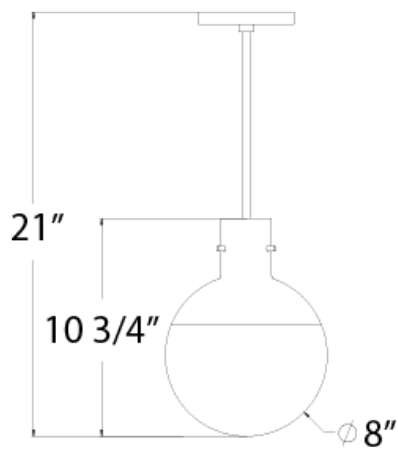
LAMPING:

 **L44-30K** 44 Watts, 3000K LED





MODEL 2868



DIMENSIONS:

H: 21" Dia: 8"

FINISH SHOWN:

PC Polished Chrome

ALSO AVAILABLE IN:

SN Satin Nickel


ANTB Antique Brass

SDB Standard Bronze

SHADE MATERIAL SHOWN:

Hand Blown Glass

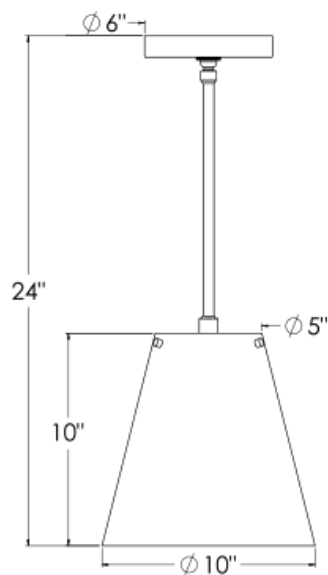
LAMPING:

(1)  B60 60 Watt Medium Base Torpedo





MODEL 2909



DIMENSIONS:

H: 24" Dia: 10"

FINISH SHOWN:

PDMB Powder Coated Matte Black

Wh Powder Coated White


SHADE MATERIAL SHOWN:

Opal Matte Acrylic

SHADE SIZE:

H: 10" Dia: 10"

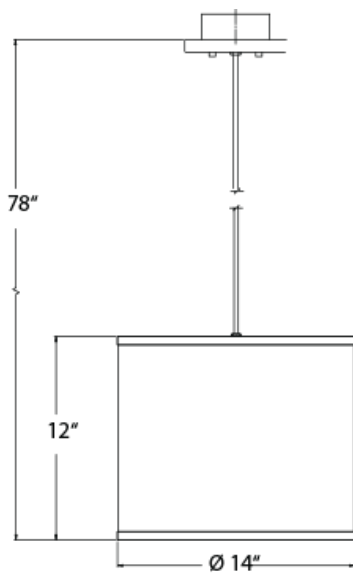
LAMPING:

(1)  **GU24** Base Socket, for LED A Style Bulb
or Self-Ballasted CFL





MODEL 2976



DIMENSIONS:

H: 78" Dia: 14"

FINISH SHOWN:

ORBZ Oil Rubbed Bronze


SHADE MATERIAL SHOWN:


Natural Linen with Black Trim

SHADE SIZE:

H: 12" Dia: 14"

LAMPING:

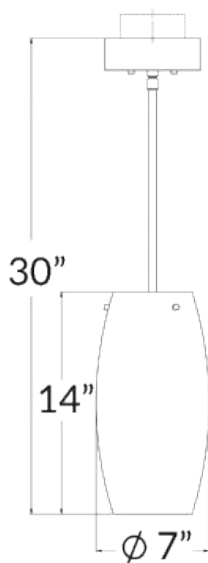
(1)  **GU24** Base Socket, for LED A Style Bulb or Self-Ballasted CFL

(1)  **Medium** Base Socket, for LED A Style Bulb or Self-Ballasted CFL





MODEL 2982



DIMENSIONS:

H: 30" Dia: 7"

FINISH SHOWN:

PC Polished Chrome

ALSO AVAILABLE IN:

SN Satin Nickel


ANTB Antique Brass


SDB Standard Bronze

SHADE MATERIAL SHOWN:

Opal Matte Glass

LAMPING:

(1)  **GU24** Base Socket, for LED A Style Bulb or Self-Ballasted CFL

(1)  **Medium** Base Socket, for LED A Style Bulb or Self-Ballasted CFL

