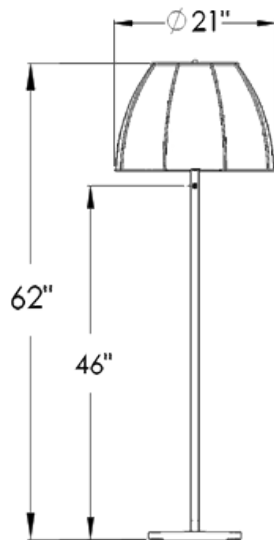


# FLOOR LAMPS





# MODEL 5002



**DIMENSIONS:**

H: 62" Dia: 21"

**FINISH SHOWN:**

Powder Coated Champagne Metallic

**SHADE MATERIAL SHOWN:**

Natural HF Linen


**SHADE SIZE:**

H: 14" Dia: 21"

**SWITCH:**

On/Off Micro Rocker Switch

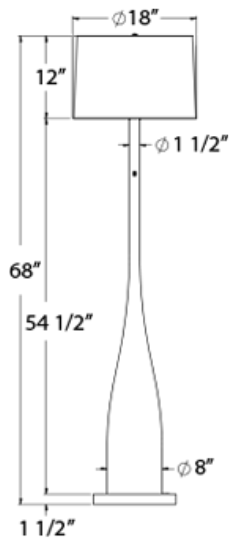
**LAMPING:**

(1)  **Medium** Base Socket, for LED A Style Bulb or Self-Ballasted CFL





# MODEL 5003



#### DIMENSIONS:

H: 68" Dia: 18"

#### FINISH SHOWN:

**PDBZ** Powder Coated Bronze

#### SHADE MATERIAL SHOWN:

Brussels Cream


#### SHADE SIZE:

H: 12" Dia: 18"

#### SWITCH:

On/Off Micro Rocker Switch

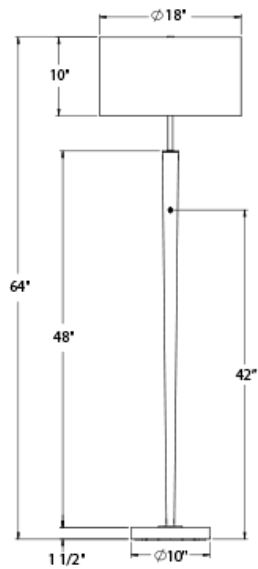
#### LAMPING:

(1)  **GU24** Base Socket, for LED A Style Bulb or Self-Ballasted CFL





# MODEL 5004



#### DIMENSIONS:

H: 64 " Dia: 18 "

#### FINISH SHOWN:

**BB** Brushed Brass

#### SHADE MATERIAL SHOWN:

Black Parchment Gold Foil Interior


#### SHADE SIZE:

H: 10 " Dia: 18 "

#### SWITCH:

Brass On/Off Toggle Switch

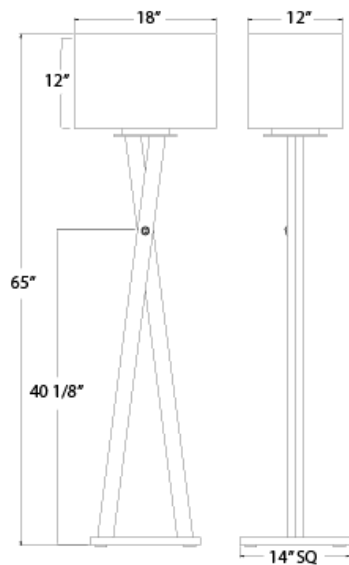
#### LAMPING:

(2)  **GU24** Base Socket, for LED A Style Bulb or Self-Ballasted CFL





# MODEL 5010



#### DIMENSIONS:

H: 65 " D: 12 " W: 18 "

#### FINISH SHOWN:

**DORBZ** Dark Oil Rubbed Bronze

#### SHADE MATERIAL SHOWN:

Linda Cream Linen


#### SHADE SIZE:

H: 12 " D: 12 " W: 18 "

#### SWITCH:

On/Off Rocker Switch at Column

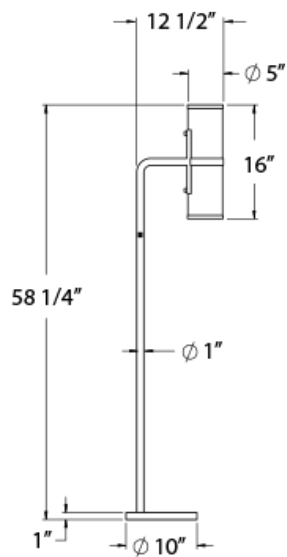
#### LAMPING:

(1)  **Medium** Base Socket, for LED A Style Bulb or Self-Ballasted CFL





# MODEL 5011



#### DIMENSIONS:

H: 58 1/4 " D: 5 " W: 12 1/2 "

#### FINISH SHOWN:

**ANTB** Antique Brass

#### SHADE MATERIAL SHOWN:

Huggy White


#### SHADE SIZE:

H: 16 " Dia: 5"

#### SWITCH:

On/Off Micro Rocker Switch

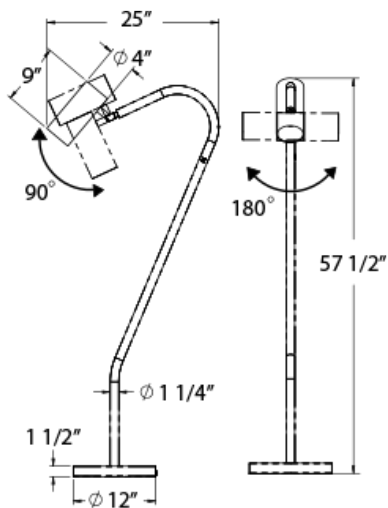
#### LAMPING:

(2)  **Medium** Base Socket, for LED A Style Bulb or Self-Ballasted CFL





# MODEL 5012



#### DIMENSIONS:

H: 57 1/2" D: 25" W: 12"

#### FINISH SHOWN:

**ANTB** Antique Brass

#### SHADE MATERIAL SHOWN:

**ANTB** Antique Brass


#### SHADE SIZE:

H: 9" Dia: 4"

#### SWITCH:

On/Off Micro Rocker Switch

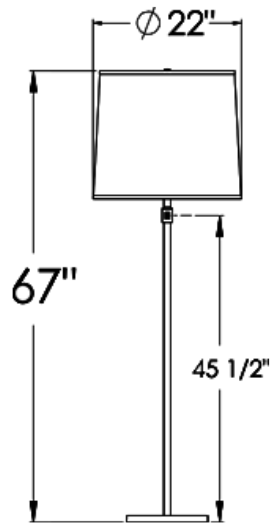
#### LAMPING:

(1)  **Medium** Base Socket, for LED A Style Bulb or Self-Ballasted CFL





# MODEL 5014



**DIMENSIONS:**

H: 67" Dia: 22"

**FINISH SHOWN:**

**ANTB** Antique Brass

**WW** Walnut Wood

**SHADE MATERIAL SHOWN:**

Hardback CD Ivory


**SHADE SIZE:**

H: 19" Dia: 22"

**SWITCH:**

On/Off Rocker Switch

**LAMPING:**

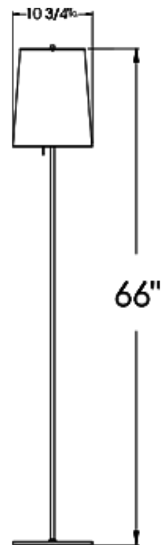
(2)  **GU24** Base Socket, for LED A Style Bulb  
or Self-Ballasted CFL







# MODEL 5016



#### DIMENSIONS:

H: 66" D: 10 3/4" W: 10 3/4"

#### FINISH SHOWN:

Powder Coated Flat Black

#### SHADE MATERIAL SHOWN:

Hardback Canvas White Linen


#### SHADE SIZE:

H: 13" D: 10 3/4" W: 10 3/4"

#### SWITCH:

Pull Chain Hi/Lo/Off

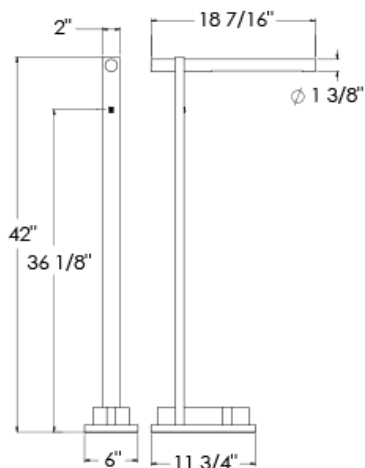
#### LAMPING:

(1)  **Medium** Base Socket, for LED A Style Bulb or Self-Ballasted CFL





# MODEL 5017



**DIMENSIONS:**

H: 42" D: 18 7/16" W: 6"

**FINISH SHOWN:**

Statuary Bronze

**ANTB** Antique Brass


**SHADE MATERIAL SHOWN:**

Opal Matte Acrylic

**SWITCH:**

On/Off Rocker Switch at Column

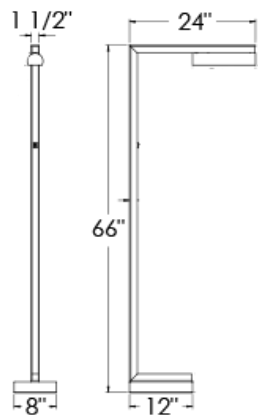
**LAMPING:**

 **L8-30K** 8 Watts, 3000K LED





# MODEL 5018



**DIMENSIONS:**

H: 66" D: 24" W: 1 1/2"

**FINISH SHOWN:**

**ANTB** Antique Brass

Gray Ash Wood


**SHADE MATERIAL SHOWN:**

**ANTB** Antique Brass

**SWITCH:**

On/Off Rocker Switch

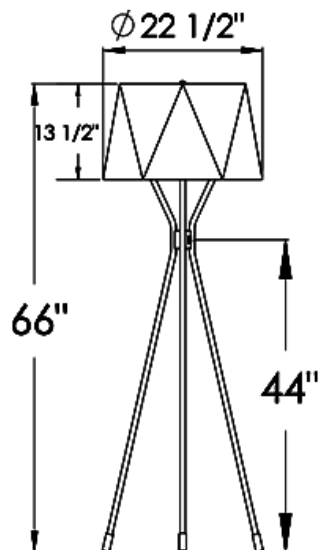
**LAMPING:**

(1)  **GU24** Base Socket, for LED T Style Bulb  
or 13 Watt Quad CFL





# MODEL 5022-M1



#### DIMENSIONS:

H: 66" Dia: 22 1/2"

#### FINISH SHOWN:

Matte Black

ANTB Antique Brass

#### SHADE MATERIAL SHOWN:

Hardback Linda Black Linen


#### SHADE SIZE:

H: 13 1/2" Dia: 22 1/2"

#### SWITCH:

On/Off Rocker Switch

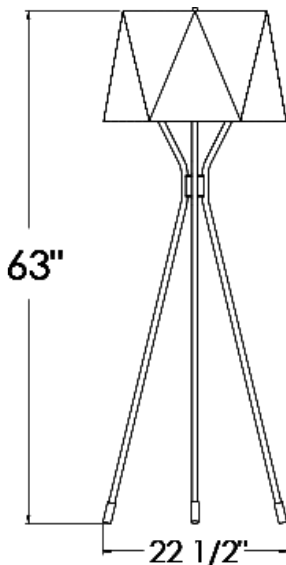
#### LAMPING:

(1)  **Medium** Base Socket, for LED A Style Bulb or Self-Ballasted CFL





# MODEL 5022



**DIMENSIONS:**

H: 63" D: " W: 22 1/2"

**FINISH SHOWN:**

**ANTB** Antique Brass

**ALSO AVAILABLE IN:**

Matte Black

**SHADE MATERIAL SHOWN:**

Linda Cream Linen

**ALSO AVAILABLE IN:**

with an Opal Matte Acrylic Top Diffuser


**SHADE SIZE:**

H: 13 1/2" Dia: 22 1/2"

**SWITCH:**

Full Range Dimmer

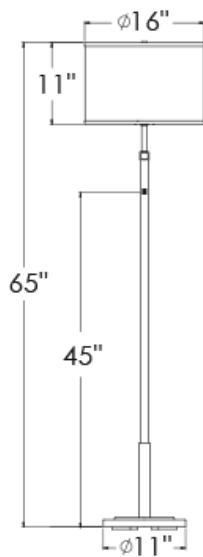
**LAMPING:**

(1)  **Medium** Base Socket, for LED A Style Bulb or Self-Ballasted CFL





# MODEL 5026



**DIMENSIONS:**

H: 65" Dia: 16"

**FINISH SHOWN:**

**SC** Satin Chrome

**SHADE MATERIAL SHOWN:**

Natural HF Linen


**SHADE SIZE:**

H: 11" Dia: 16"

**SWITCH:**

On/Off Micro Rocker Switch

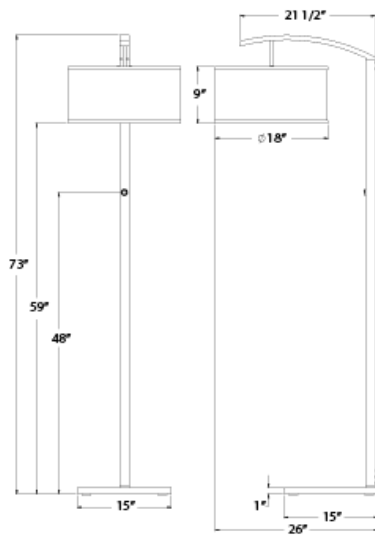
**LAMPING:**

(1)  **GU24** Base Socket, for LED A Style Bulb or Self-Ballasted CFL





# MODEL 5027



#### DIMENSIONS:

H: 73" D: 26" W: 18"

#### FINISH SHOWN:

**BN** Brushed Nickel

#### SHADE MATERIAL SHOWN:

CD Ivory with an Opal Matte Acrylic Top and Bottom Diffuser


#### SHADE SIZE:

H: 9" Dia: 18"

#### SWITCH:

On/Off Rocker Switch at Column

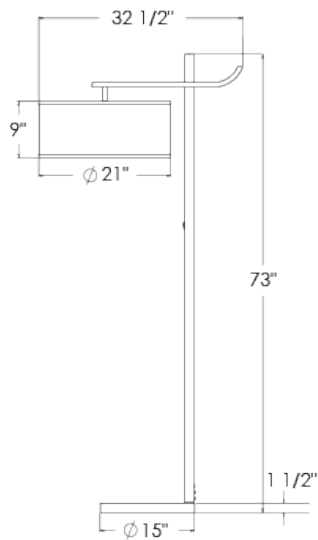
#### LAMPING:

(1)  **Medium** Base Socket, for LED A Style Bulb or Self-Ballasted CFL





# MODEL 5030



#### DIMENSIONS:

H: 73" D: 32 1/2" W: 21"

#### FINISH SHOWN:

**BS** Brushed Stainless Steel

#### SHADE MATERIAL SHOWN:

CD Ivory with an Opal Matte Acrylic Top and Bottom Diffuser


#### SHADE SIZE:

H: 9" Dia: 21"

#### SWITCH:

On/Off Rocker Switch at Column

#### LAMPING:

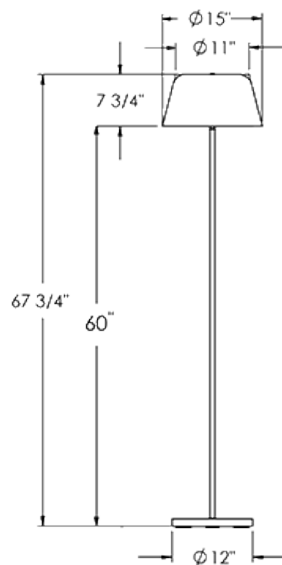
(1)  **Medium** Base Socket, for LED A Style Bulb or Self-Ballasted CFL







# MODEL 5035



#### DIMENSIONS:

H: 67 3/4" Dia: 15"

#### FINISH SHOWN:

**Wh** Powder Coated White


#### SHADE MATERIAL SHOWN:

Opal Matte Acrylic

#### SWITCH:

On/Off Switch at Socket

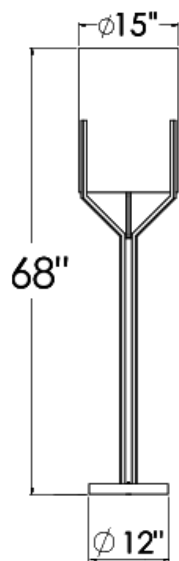
#### LAMPING:

(2)  **GU24** Base Socket, for LED A Style Bulb or Self-Ballasted CFL





# MODEL 5037



**DIMENSIONS:**

H: 68" Dia: 12"

**FINISH SHOWN:**

**ANTB** Antique Brass


**SHADE MATERIAL SHOWN:**

Brussels Cream Linen

**SWITCH:**

On/Off Rocker Switch

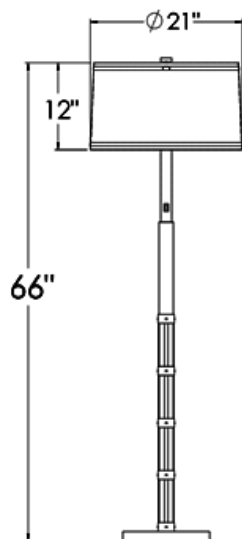
**LAMPING:**

(1)  **Medium** Base Socket, for LED A Style Bulb or Self-Ballasted CFL





# MODEL 5041



**DIMENSIONS:**

H: 66" Dia: 21"

**FINISH SHOWN:**

**BS** Blackened Steel  
Natural Maple Wood

**SHADE MATERIAL SHOWN:**

Hardback Brussels White Linen Wide Leather Trim


**SHADE SIZE:**

H: 12" Dia: 21"

**SWITCH:**

On/Off Rocker Switch

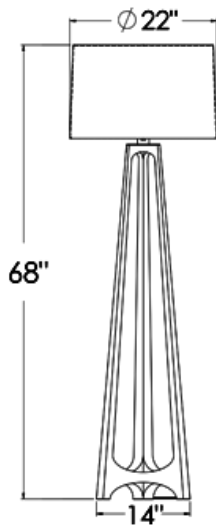
**LAMPING:**

(1)  **GU24** Base Socket, for LED A Style Bulb  
or Self-Ballasted CFL





# MODEL 5044



**DIMENSIONS:**

H: 68" Dia: 22"

**FINISH SHOWN:**

Gunmetal

**SHADE MATERIAL SHOWN:**

Hardback Off White Shantung


**SHADE SIZE:**

H: 14" Dia: 22"

**SWITCH:**

On/Off Rocker Switch

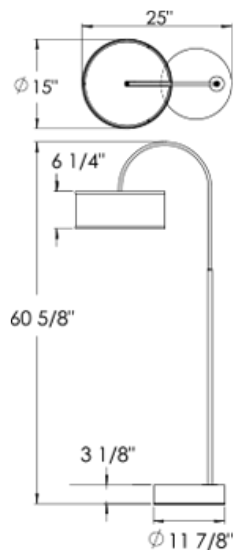
**LAMPING:**

(1)  **GU24** Base Socket, for LED A Style Bulb or Self-Ballasted CFL





# MODEL 5046



#### DIMENSIONS:

H: 60 5/8" D: 25" W: 15"

#### FINISH SHOWN:

**SB** Satin Brass

White Marble

#### SHADE MATERIAL SHOWN:

Hardback Styrene Indigo Blue Linen Opal Matte

Acrylic


#### SHADE SIZE:

H: 6 1/4" Dia: 15"

#### SWITCH:

Full Range Dimmer

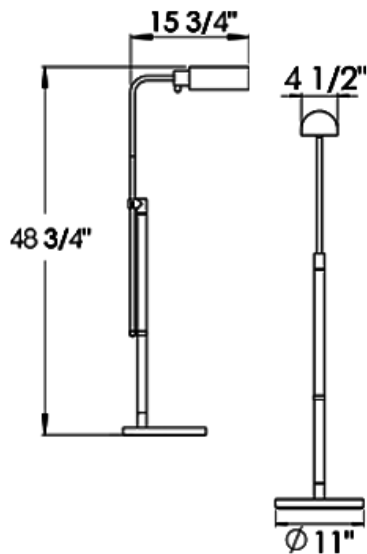
#### LAMPING:

(2)  **Medium** Base Socket, for LED A Style Bulb or Self-Ballasted CFL





# MODEL 5048



#### DIMENSIONS:

H: 48 3/4" D: 15 3/4" W: 11"

#### FINISH SHOWN:

**BB** Brushed Brass


#### SHADE MATERIAL SHOWN:

**BB** Brushed Brass

#### SWITCH:

3-Way Rotary Switch

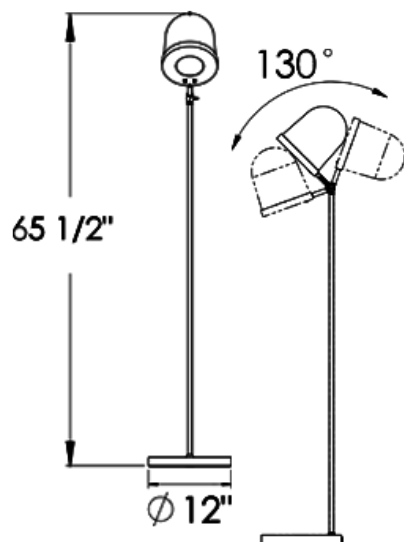
#### LAMPING:

(1)  **Medium** Base Socket, for LED A Style  
Bulb or Self-Ballasted CFL





# MODEL 5049



#### DIMENSIONS:

H: 65 1/2" Dia: 12"

#### FINISH SHOWN:

**BB** Brushed Brass


#### SHADE MATERIAL SHOWN:

Frosted Acrylic with an Opal Matte Acrylic Bottom Diffuser

#### SWITCH:

(2) On/Off Micro Rocker Switch

#### LAMPING:

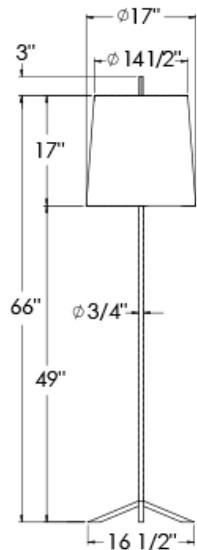
(1)  **L5-30K** 5 Watts, 3000K LED, Facing downward

**L10.5-30K** 10.5 Watts, 3000K LED, Facing upward





# MODEL 5051



#### DIMENSIONS:

H: 69" Dia: 19"

#### FINISH SHOWN:

Dark Patinated Brass

#### SHADE MATERIAL SHOWN:

Aquarelle Watercolor Paper Shade


#### SHADE SIZE:

H: 17" Dia: 17"

#### SWITCH:

On/Off Foot Switch 8" from Base

#### LAMPING:

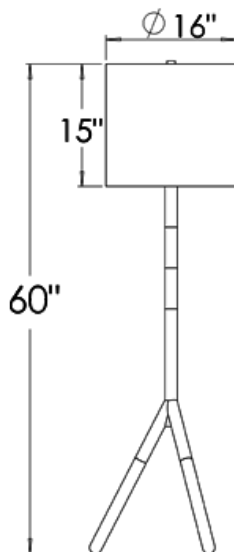
(2)  **Medium** Base Socket, for LED A Style Bulb or Self-Ballasted CFL







# MODEL 5052



#### DIMENSIONS:

H: 60" Dia: 16"

#### FINISH SHOWN:

Fumed Red Oak

Matte Black

#### SHADE MATERIAL SHOWN:

Hardback CD Ivory


#### SHADE SIZE:

H: 5" Dia: 16"

#### SWITCH:

On/Off Foot Switch 8" from Base

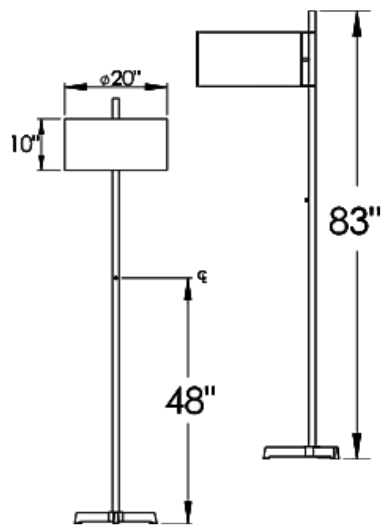
#### LAMPING:

(1)  **Medium** Base Socket, for LED A Style Bulb or Self-Ballasted CFL





# MODEL 5056



#### DIMENSIONS:

H: 83" Dia: 20"

#### FINISH SHOWN:

Matte Black

PC Polished Chrome

#### SHADE MATERIAL SHOWN:

Hardback Canvas White Linen


#### SHADE SIZE:

H: 10" Dia: 20"

#### SWITCH:

Full Range Dimmer

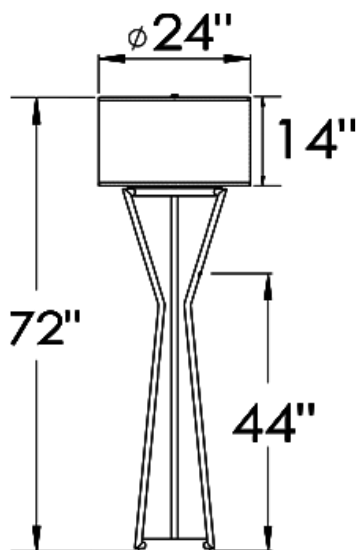
#### LAMPING:

(2)  **Medium** Base Socket, for LED A Style Bulb or Self-Ballasted CFL





# MODEL 5058



**DIMENSIONS:**

H: 72" Dia: 24"

**FINISH SHOWN:**

Matte Black


**SHADE MATERIAL SHOWN:**

Hardback Brussels White Linen

**SHADE SIZE:**

H: 14" Dia: 24"

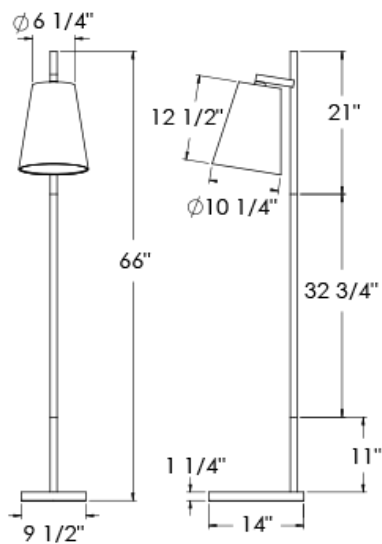
**LAMPING:**

(1)  **Medium** Base Socket, for LED A Style Bulb or Self-Ballasted CFL





# MODEL 5063



#### DIMENSIONS:

H: 66" D: 14" W: 9 1/2"

#### FINISH SHOWN:

Bengal White

Medium Stained Wood

#### SHADE MATERIAL SHOWN:

Canvas White Linen


#### SHADE SIZE:

H: 12 1/2" Dia: 10 1/4"

#### SWITCH:

On/Off Foot Switch 8" from Base

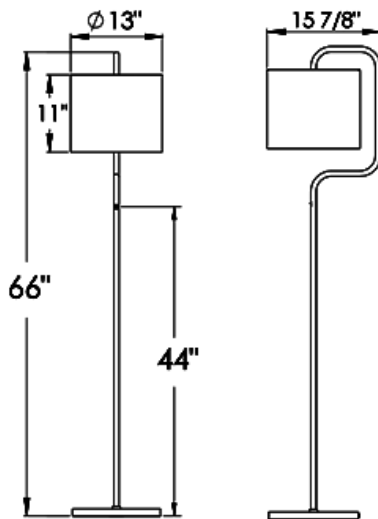
#### LAMPING:

(1)  **Medium** Base Socket, for LED A Style Bulb or Self-Ballasted CFL





# MODEL 5064



#### DIMENSIONS:

H: 66" D: 15 7/8" W: 13"

#### FINISH SHOWN:

Matte Black

ANTB Antique Brass

#### SHADE MATERIAL SHOWN:

Metal


#### SHADE SIZE:

H: 11" Dia: 13"

#### SWITCH:

On/Off Micro Rocker Switch

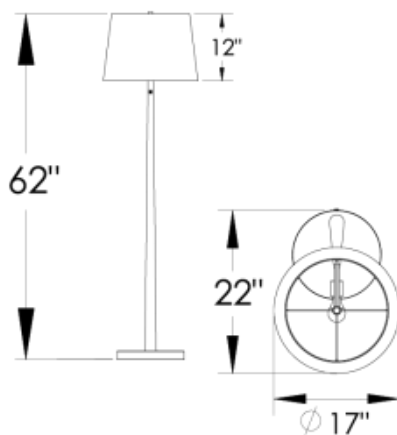
#### LAMPING:

(1)  **Medium** Base Socket, for LED A Style Bulb or Self-Ballasted CFL





# MODEL 5068



#### DIMENSIONS:

H: 62" D: 22" W: 17"

#### FINISH SHOWN:

**PC Polished Chrome**

#### SHADE MATERIAL SHOWN:

Canvas White Linen


#### SHADE SIZE:

H: 12" Dia: 17"

#### SWITCH:

On/Off Micro Rocker Switch

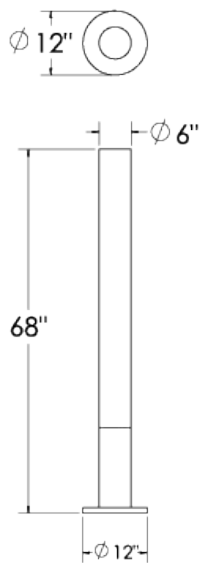
#### LAMPING:

(1)  **Medium** Base Socket, for LED A Style Bulb or Self-Ballasted CFL





# MODEL 5069



#### DIMENSIONS:

H: 68" Dia: 6"

#### FINISH SHOWN:

PC Polished Chrome


#### SHADE MATERIAL SHOWN:

Opal Matte Acrylic

#### SHADE SIZE:

H: 52" Dia: 6"

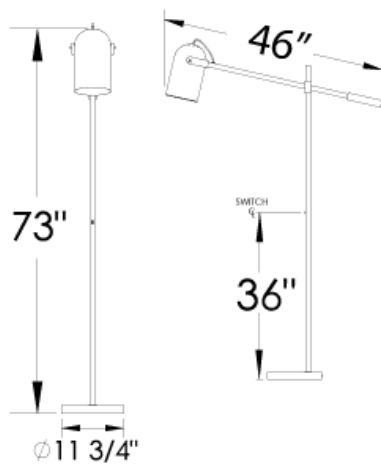
#### LAMPING:

(1)  GU24 Base Socket, for LED A Style Bulb or Self-Ballasted CFL





# MODEL 5071



#### DIMENSIONS:

H: 73" D: 46" W: 11 3/4"

#### FINISH SHOWN:

**PDMB** Powder Coated Matte Black

**WW** Walnut Wood

**ANTB** Antique Brass

#### SHADE MATERIAL SHOWN:

Metal


#### SHADE SIZE:

H: 12" Dia: 7"

#### SWITCH:

On/Off Micro Rocker Switch

#### LAMPING:

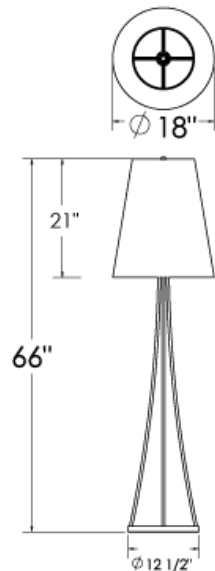
(1)  **GU24** Base Socket, for LED A Style Bulb or Self-Ballasted CFL







# MODEL 5072



**DIMENSIONS:**

H: 66" Dia: 18"

**FINISH SHOWN:**

Matte Black

**SHADE MATERIAL SHOWN:**

Laura White Linen


**SHADE SIZE:**

H: 21" Dia: 18"

**SWITCH:**

Rotary Dimmer at Socket

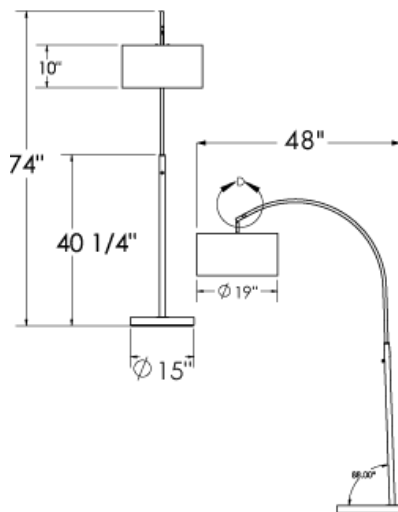
**LAMPING:**

(1)  **GU24** Base Socket, for LED A Style Bulb or Self-Ballasted CFL





# MODEL 5074



#### DIMENSIONS:

H: 74" D: 48" W: 19"

#### FINISH SHOWN:

Polished Stainless Steel

White Quartz

#### SHADE MATERIAL SHOWN:

Opal Matte Acrylic Diffuser

Laura White Linen


#### SHADE SIZE:

H: 10" D: 48" W: 19"

#### SWITCH:

Rotary Dimmer at Socket

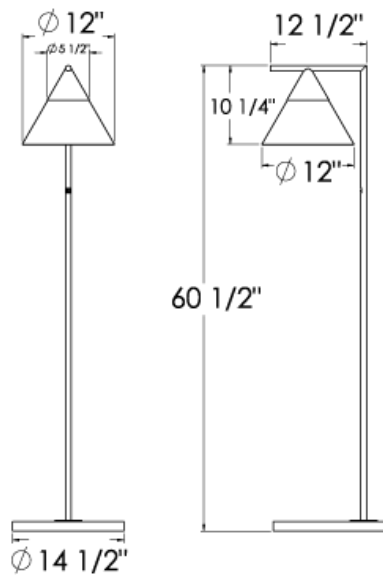
#### LAMPING:

(2)  **Medium** Base Socket, for LED A Style Bulb or Self-Ballasted CFL





# MODEL 5076



#### DIMENSIONS:

H: 60 1/2" Dia: 14 1/2"

#### FINISH SHOWN:

**PDMB** Powder Coated Matte Black

**SB** Satin Brass

#### SHADE MATERIAL SHOWN:

**SB** Satin Brass

Opal Acrylic Diffuser


#### SHADE SIZE:

H: 10 1/4" Dia: 12"

#### SWITCH:

On/Off Micro Rocker Switch

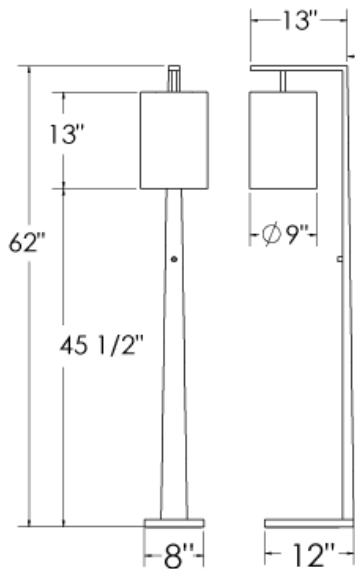
#### LAMPING:

(1)  **Medium** Base Socket, for LED A Style Bulb or Self-Ballasted CFL





# MODEL 5077



#### DIMENSIONS:

H: 62" D: 14" W: 13"

#### FINISH SHOWN:

Polished Champagne

#### SHADE MATERIAL SHOWN:

Opal Matte Glass


#### SHADE SIZE:

H: 12" D: 14" W: 9"

#### SWITCH:

Rotary Dimmer at Socket

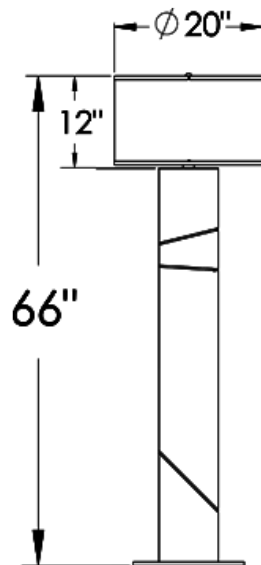
#### LAMPING:

(1)  **Medium** Base Socket, for LED A Style Bulb or Self-Ballasted CFL





# MODEL 5104



#### DIMENSIONS:

H: 66" Dia: 20"

#### FINISH SHOWN:

**ORBZ** Oil Rubbed Bronze

Hollow Wood w/ Walnut Finish

#### SHADE MATERIAL SHOWN:

with an Opal Matte Acrylic Top Diffuser

Hardback Palazzo World Linen


#### SHADE SIZE:

H: 12" Dia: 20"

#### SWITCH:

On/Off Rocker Switch Below Socket

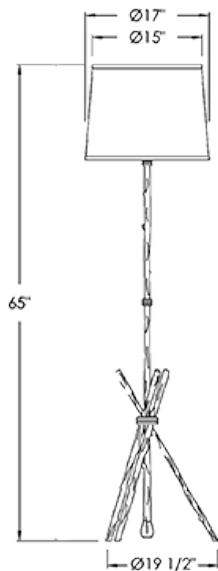
#### LAMPING:

(1)  **Medium** Base Socket, for LED A Style Bulb or Self-Ballasted CFL





# MODEL 5121



#### DIMENSIONS:

H: 65" Dia: 19 1/2"

#### FINISH SHOWN:

**PDBZ** Powder Coated Bronze

#### SHADE MATERIAL SHOWN:

CD Ivory Linen


#### SHADE SIZE:

H: 13" Dia: 17"

#### SWITCH:

On/Off Switch at Socket

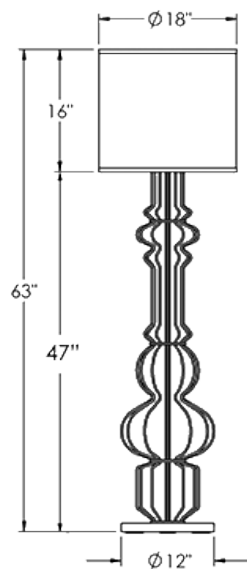
#### LAMPING:

(1)  **Medium** Base Socket, for LED A Style Bulb or Self-Ballasted CFL





# MODEL 5158



#### DIMENSIONS:

H: 63 " Dia: 18 "

#### FINISH SHOWN:

**PDN** Powder Coated Nickel

#### SHADE MATERIAL SHOWN:

Canvas White Linen


#### SHADE SIZE:

H: 16 " Dia: 18 "

#### SWITCH:

On/Off Switch at Socket

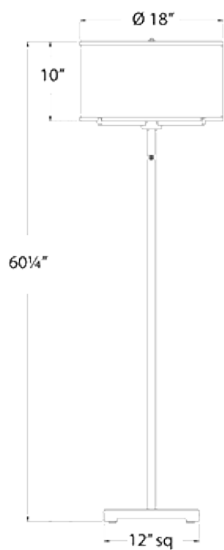
#### LAMPING:

(1)  **Medium** Base Socket, for LED A Style Bulb or Self-Ballasted CFL





# MODEL 5218



#### DIMENSIONS:

H: 60 1/4 " Dia: 18 "

#### FINISH SHOWN:

**BCH** Brushed Chrome

#### SHADE MATERIAL SHOWN:

CD Ivory Linen


#### SHADE SIZE:

H: 10 " Dia: 18 "

#### SWITCH:

On/Off Rocker Switch at Column

#### LAMPING:

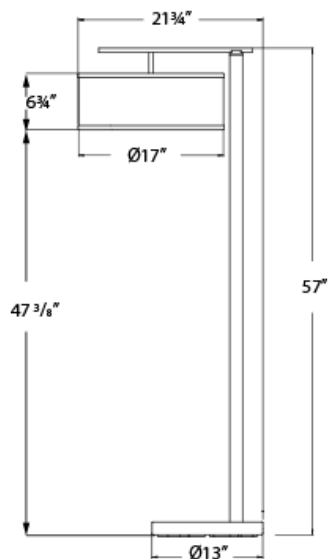
(1)  **Medium** Base Socket, for LED A Style Bulb or Self-Ballasted CFL







# MODEL 5235



#### DIMENSIONS:

H: 57 " D: 21 3/4 " W: 17 "

#### FINISH SHOWN:

**ORBZ** Oil Rubbed Bronze

#### SHADE MATERIAL SHOWN:

CD Ivory Linen


#### SHADE SIZE:

H: 6 3/4 " Dia: 17"

#### SWITCH:

On/Off Rocker Switch

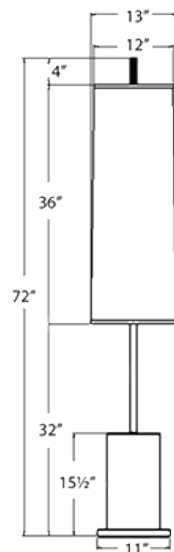
#### LAMPING:

(2)  **GU24** Base Socket, for LED A Style Bulb  
or Self-Ballasted CFL





# MODEL 5240



#### DIMENSIONS:

H: 72 " Dia: 13"

#### FINISH SHOWN:

**BN** Brushed Nickel

#### SHADE MATERIAL SHOWN:

Hardback Styrene Laura


#### SHADE SIZE:

H: 36 " Dia: 13"

#### SWITCH:

On/Off Rocker Switch Below Socket

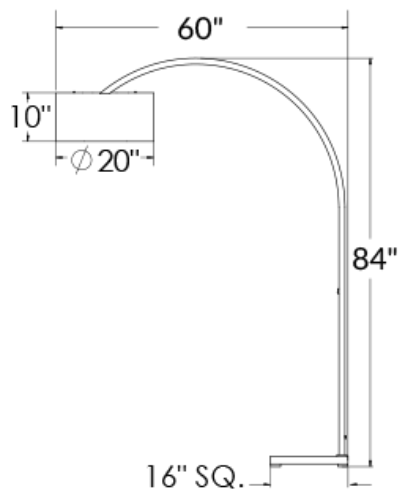
#### LAMPING:

(4)  **Medium** Base Socket, for LED A Style Bulb or Self-Ballasted CFL





# MODEL 5242



#### DIMENSIONS:

H: 84 " D: 60 " W: 18 "

#### FINISH SHOWN:

**BN** Brushed Nickel

#### SHADE MATERIAL SHOWN:

Hardback Laura White Linen


#### SHADE SIZE:

H: 10 " Dia: 18 "

#### SWITCH:

On/Off Rocker Switch at Column

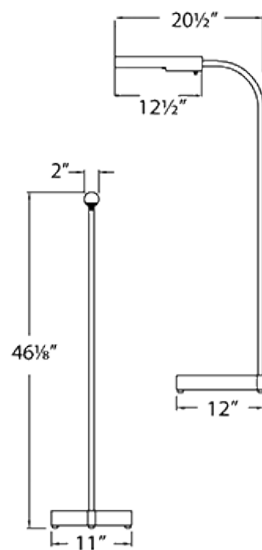
#### LAMPING:

(2)  **Medium** Base Socket, for LED A Style Bulb or Self-Ballasted CFL





# MODEL 5245



#### DIMENSIONS:

H: 46 1/8 " D: 20 1/2 " W: 2 "

#### FINISH SHOWN:

**BN** Brushed Nickel

#### SHADE MATERIAL SHOWN:

Opal Matte Glass


#### SHADE SIZE:

H: 12" Dia: 2"

#### SWITCH:

On/Off Switch at Socket

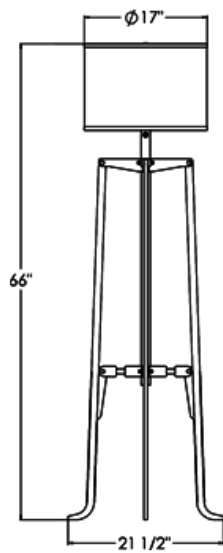
#### LAMPING:

(1)  **GU24** Base Socket, for LED A Style Bulb  
or Self-Ballasted CFL





# MODEL 5246



#### DIMENSIONS:

H: 66" Dia: 21 1/2"

#### FINISH SHOWN:

**BS** Blackened Steel

#### SHADE MATERIAL SHOWN:

Hardback CD Ivory


#### SHADE SIZE:

H: 12" Dia: 17"

#### SWITCH:

On/Off Rotary Switch

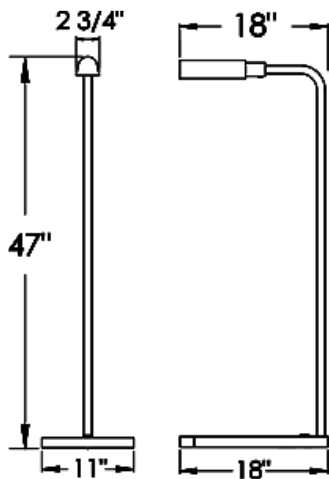
#### LAMPING:

(1)  **Medium** Base Socket, for LED A Style Bulb or Self-Ballasted CFL





# MODEL 5247



#### DIMENSIONS:

H: 47" D: 18" W: 11"

#### FINISH SHOWN:

**ANTB** Antique Brass

#### SHADE MATERIAL SHOWN:

**ANTB** Antique Brass

#### SHADE SIZE:

H: 18" D: 18" W: 11"


#### SWITCH:

On/Off Micro Rocker Switch

#### ADDITIONAL FEATURES:

1 Convenience Outlet

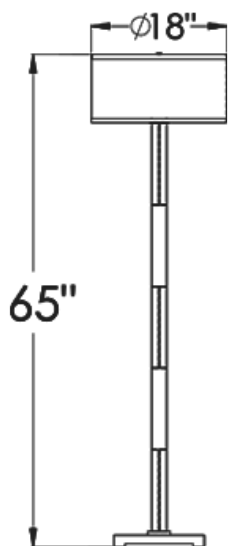
#### LAMPING:

(1)  **Medium** Base Socket, for LED A Style Bulb or Self-Ballasted CFL





## MODEL 5248



**DIMENSIONS:**

H: 65" Dia: 18"

**FINISH SHOWN:**

**PC** Polished Chrome

Ivory Vinyl Alternating Seams

**SHADE MATERIAL SHOWN:**

CD Ivory Linen


**SHADE SIZE:**

H: 9" Dia: 18"

**SWITCH:**

On/Off Switch

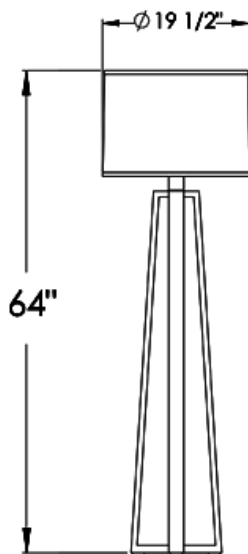
**LAMPING:**

(1)  **Medium** Base Socket, for LED A Style Bulb or Self-Ballasted CFL





# MODEL 5253



#### DIMENSIONS:

H: 64" Dia: 19 1/2"

#### FINISH SHOWN:

**ANTB** Antique Brass

#### SHADE MATERIAL SHOWN:

Hardback Anna Cream Linen


#### SHADE SIZE:

H: 14" Dia: 19 1/2"

#### SWITCH:

Rotary Dimmer Switch at Socket

#### LAMPING:

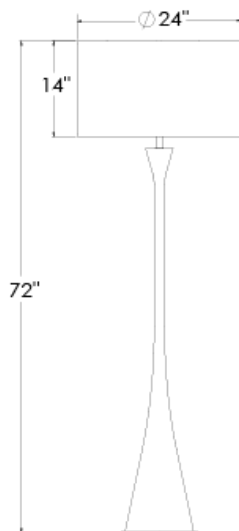
(1)  **Medium** Base Socket, for LED A Style Bulb or Self-Ballasted CFL







# MODEL 5254



**DIMENSIONS:**

H: 72" Dia: 24"

**FINISH SHOWN:**

**BN** Brushed Nickel

**HT** Hammertone Texture

**SHADE MATERIAL SHOWN:**

Canvas White Linen with an Opal Matte Acrylic Top  
Diffuser


**SHADE SIZE:**

H: 14" Dia: 24"

**SWITCH:**

On/Off Rocker Switch at Column

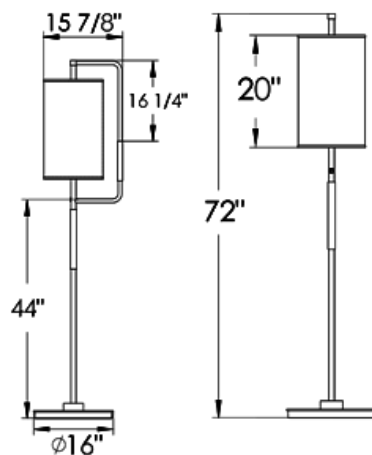
**LAMPING:**

(2)  **Medium** Base Socket, for LED A Style  
Bulb or Self-Ballasted CFL





# MODEL 5283



#### DIMENSIONS:

H: 72" Dia: 16"

#### FINISH SHOWN:

**SBS**atin Blackened Bronze

**Wh** Powder Coated White

#### SHADE MATERIAL SHOWN:

Hardback Canvas White Linen W/ Self Fold Edge Top  
& Bottom Opal Acrylic Diffuser


#### SHADE SIZE:

H: 20" Dia: 12"

#### SWITCH:

On/Off Rocker Switch

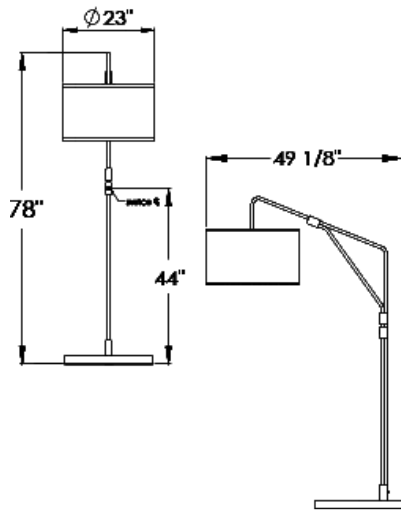
#### LAMPING:

(1)  **Medium** Base Socket, for LED A Style  
Bulb or Self-Ballasted CFL





# MODEL 5285



#### DIMENSIONS:

H: 78" D: 23" W: 49 1/8"

#### FINISH SHOWN:

**Wh** Powder Coated White

**SB**Satin Blackened Bronze

#### SHADE MATERIAL SHOWN:

Hardback Canvas White Linen


#### SHADE SIZE:

H: 14" Dia: 23"

#### SWITCH:

3-Way Rocker Switch

#### LAMPING:

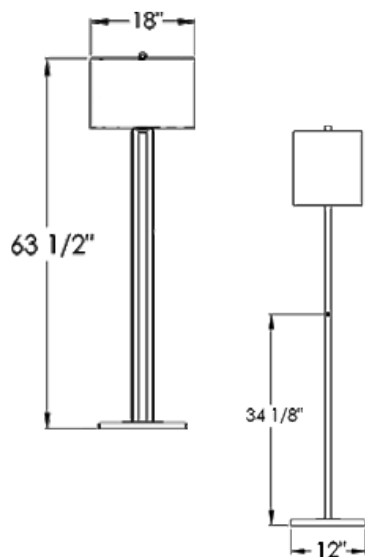
(2)  **Medium** Base Socket, for LED A Style

Bulb or Self-Ballasted CFL





## MODEL 5295-M2



#### DIMENSIONS:

H: 63 1/2" D: 12" W: 18"

#### FINISH SHOWN:

SN Satin Nickel

#### SHADE MATERIAL SHOWN:

Hardback CD Ivory Opal Matte Acrylic Diffuser


#### SHADE SIZE:

H: 12" D: 11" W: 18"

#### SWITCH:

On/Off Micro Rocker Switch

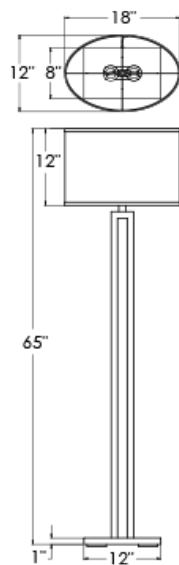
#### LAMPING:

(1)  **Medium** Base Socket, for LED A Style Bulb or Self-Ballasted CFL





# MODEL 5295



#### DIMENSIONS:

H: 65" D: 12" W: 18"

#### FINISH SHOWN:

**BN** Brushed Nickel

#### SHADE MATERIAL SHOWN:

Lenor Natural Linen


#### SHADE SIZE:

H: 12" D: 12" W: 18"

#### SWITCH:

On/Off Rocker Switch at Column

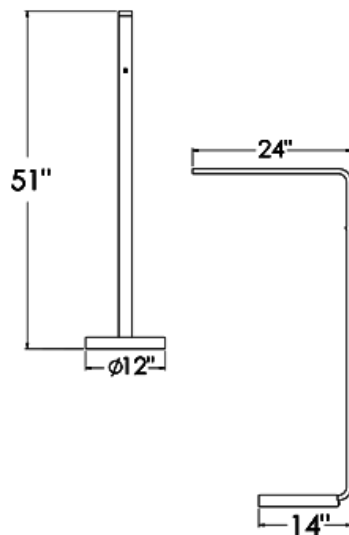
#### LAMPING:

(1)  **Medium** Base Socket, for LED A Style Bulb or Self-Ballasted CFL





# MODEL 5321



#### DIMENSIONS:

H: 51" D: 24" W: 2"


#### FINISH SHOWN:

**PDBL** Powder Coated Black  
Matte Black

#### SWITCH:

On/Off Micro Rocker Switch

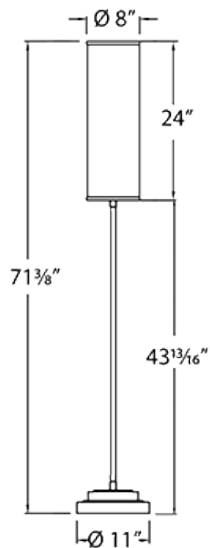
#### LAMPING:

(1)  **L8-30K** 8 Watts, 3000K LED





# MODEL 5339



#### DIMENSIONS:

H: 71 <sup>3</sup>/<sub>8</sub>" Dia: 11"

#### FINISH SHOWN:

**BN** Brushed Nickel

#### SHADE MATERIAL SHOWN:

Natural Woven Wood Hardback


#### SHADE SIZE:

H: 24" Dia: 8"

#### SWITCH:

On/Off In-Line Foot Switch

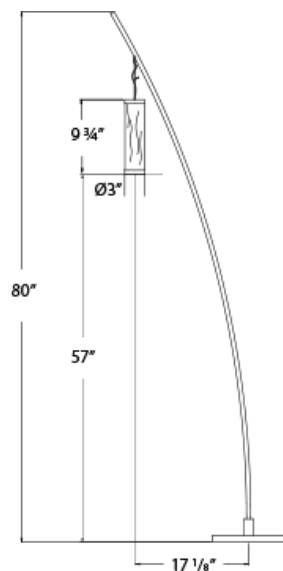
#### LAMPING:

(2)  **Medium** Base Socket, for LED A Style Bulb or Self-Ballasted CFL





# MODEL 5340



**DIMENSIONS:**

H: 80 " D: 17 1/8 " W: 8"

**FINISH SHOWN:**

SC Satin Chrome

**SHADE MATERIAL SHOWN:**

Opal Matte Glass


**SHADE SIZE:**

H: 9 3/4 " Dia: 3"

**SWITCH:**

On/Off Foot Switch 8" from Base

**LAMPING:**

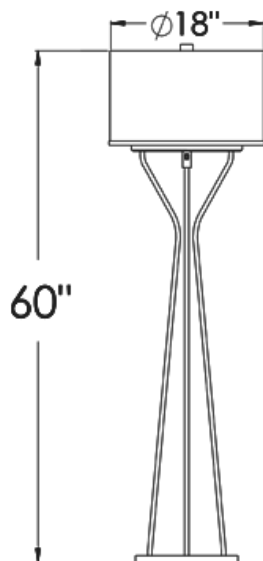
(1)  **GU24** Base Socket, for LED A Style Bulb  
or Self-Ballasted CFL







# MODEL 5344



**DIMENSIONS:**

H: 60" Dia: 18"

**FINISH SHOWN:**

**BS** Brushed Stainless Steel

**SHADE MATERIAL SHOWN:**

Hardback Cream Linen


**SHADE SIZE:**

H: 11" Dia: 18"

**SWITCH:**

On/Off Micro Rocker Switch

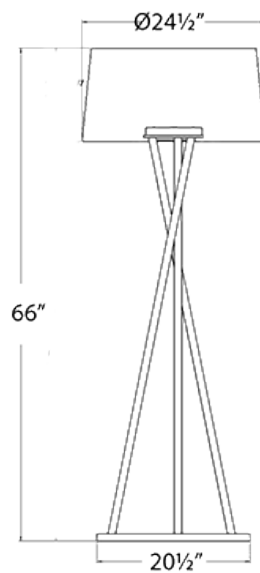
**LAMPING:**

(2)  **Medium** Base Socket, for LED A Style Bulb or Self-Ballasted CFL





# MODEL 5346



#### DIMENSIONS:

H: 66" Dia: 24 1/2"

#### FINISH SHOWN:

PC Polished Chrome

#### SHADE MATERIAL SHOWN:

Beige Linen


#### SHADE SIZE:

H: 12 1/2" Dia: 24 1/2"

#### SWITCH:

In-Line Switch

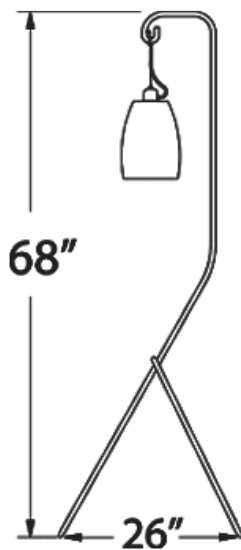
#### LAMPING:

(2)  GU24 Base Socket, for LED A Style Bulb  
or Self-Ballasted CFL





# MODEL 5348



**DIMENSIONS:**

H: 68" D: 26" W: 22"


**FINISH SHOWN:**

**BS** Blackened Steel

**SHADE MATERIAL SHOWN:**

Amber Glass

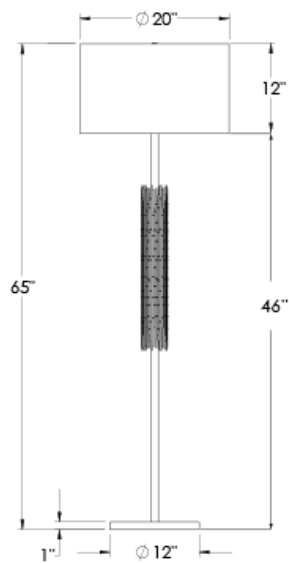
**LAMPING:**

(1)  **Medium** Base Socket, for LED A Style Bulb or Self-Ballasted CFL





# MODEL 5358



**DIMENSIONS:**

H: 65 " Dia: 20 "

**FINISH SHOWN:**

SN Satin Nickel

**SHADE MATERIAL SHOWN:**

CD Ivory Linen


**SHADE SIZE:**

H: 20 " Dia: 12"

**SWITCH:**

3-Way Rocker Switch

**LAMPING:**

(2)  GU24 Base Socket, for LED A Style Bulb  
or Self-Ballasted CFL





# MODEL 5364



#### DIMENSIONS:

H: 72" D: 12" W: 12"

#### FINISH SHOWN:

**SN** Satin Nickel

#### SHADE MATERIAL SHOWN:

CD Ivory Linen


#### SHADE SIZE:

H: 62" D: 12" W: 12"

#### SWITCH:

On/Off In-Line Foot Switch

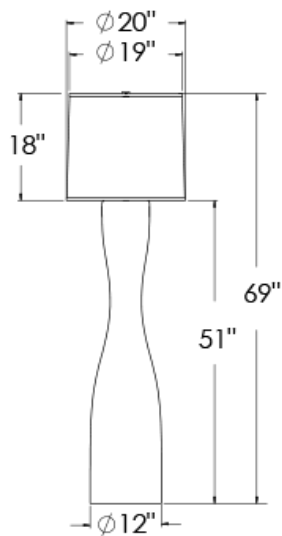
#### LAMPING:

(2)  **28T5** 28 Watt Mini Bi-Pin, T-5





# MODEL 5388



#### DIMENSIONS:

H: 69" Dia: 20"

#### FINISH SHOWN:

**WW** Walnut Wood

**PDMW** Powder Coated Matte White

#### SHADE MATERIAL SHOWN:

Shantung White with an Opal Matte Acrylic Top  
Diffuser


#### SHADE SIZE:

H: 18" Dia: 20"

#### SWITCH:

On/Off Rocker Switch at Column

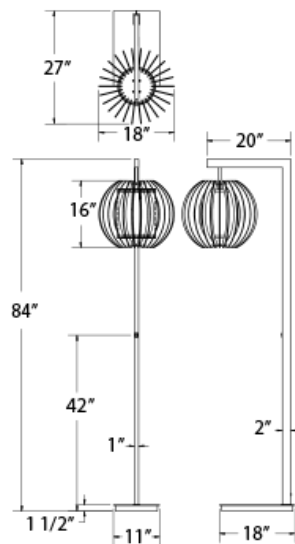
#### LAMPING:

(1)  **Medium** Base Socket, for LED A Style  
Bulb or Self-Ballasted CFL





# MODEL 5400



#### DIMENSIONS:

H: 84" D: 27" W: 18"

#### FINISH SHOWN:

**BZ** Bronze

#### SHADE MATERIAL SHOWN:

Ash Wood

Laura White Linen


#### SHADE SIZE:

H: 16" Dia: 18"

#### SWITCH:

On/Off Rocker Switch at Column

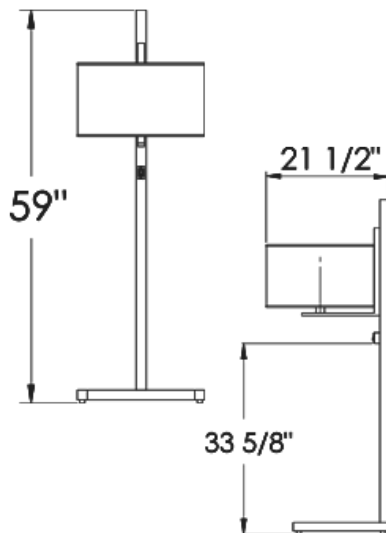
#### LAMPING:

(1)  **Medium** Base Socket, for LED A Style Bulb or Self-Ballasted CFL





# MODEL 5404



#### DIMENSIONS:

H: 59" D: 21" W: 19"

#### FINISH SHOWN:

**ORBZ** Oil Rubbed Bronze

#### SHADE MATERIAL SHOWN:

CD Ivory Linen Top Diffuser Linen Acrylic


#### SHADE SIZE:

H: 11" Dia: 19"

#### SWITCH:

On/Off Rocker Switch

#### LAMPING:

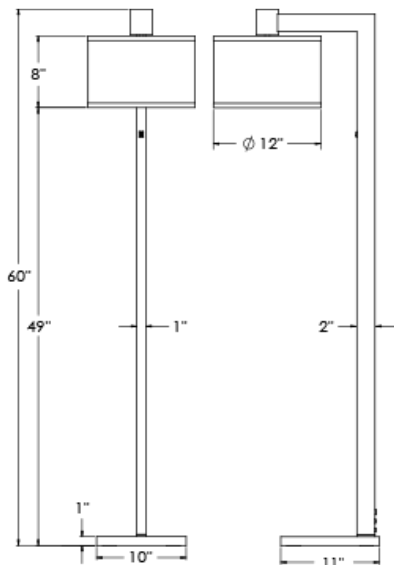
(2)  **Medium** Base Socket, for LED A Style Bulb or Self-Ballasted CFL







# MODEL 5407



**DIMENSIONS:**

H: 60" D: 18 1/2" W: 12"

**FINISH SHOWN:**

**PC Polished Chrome**


**SHADE MATERIAL SHOWN:**

Brussels Cream Linen

**SHADE SIZE:**

H: 8" Dia: 12"

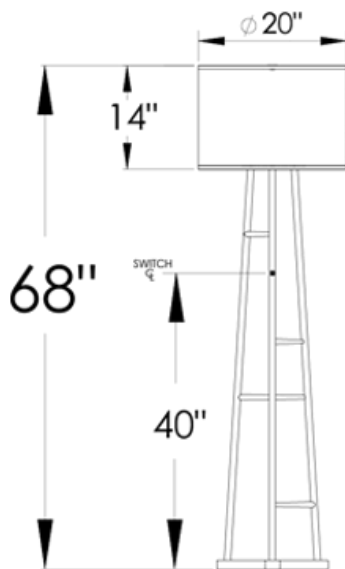
**LAMPING:**

(2)  **Medium** Base Socket, for LED A Style Bulb or Self-Ballasted CFL





# MODEL 5414



**DIMENSIONS:**

H: 68" Dia: 20"

**FINISH SHOWN:**

**PDMB** Powder Coated Matte Black

**SHADE MATERIAL SHOWN:**

White Linen Opal Matte Acrylic Diffuser


**SHADE SIZE:**

H: 14" Dia: 20"

**SWITCH:**

On/Off Micro Rocker Switch

**LAMPING:**

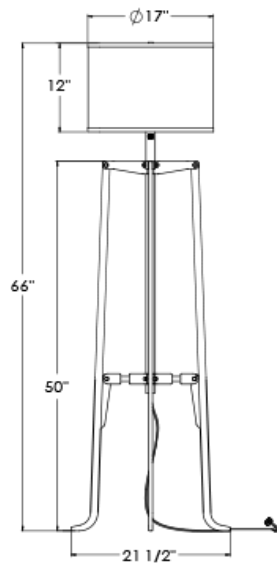
(2)  **Medium** Base Socket, for 26 Watt

Self-Ballasted Quad Tube Compact Fluorescent or T  
Type LED





# MODEL 5426



#### DIMENSIONS:

H: 66" Dia: 21 1/2 "

#### FINISH SHOWN:

**BZ** Bronze

#### SHADE MATERIAL SHOWN:

CD Ivory Linen


#### SHADE SIZE:

H: 12" Dia: 17"

#### SWITCH:

On/Off Rotary Switch

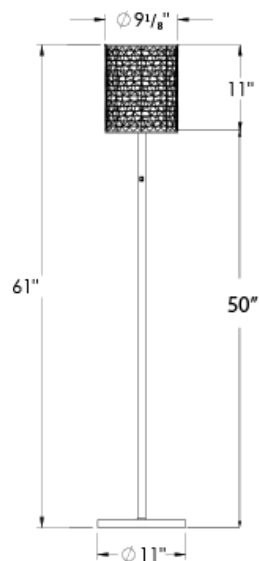
#### LAMPING:

(1)  **Medium** Base Socket, for LED A Style Bulb or Self-Ballasted CFL





# MODEL 5428



#### DIMENSIONS:

H: 60 1/2" Dia: 11"

#### FINISH SHOWN:

PC Polished Chrome

#### SHADE MATERIAL SHOWN:

Off White Linen Wire Cage


#### SHADE SIZE:

H: 11" Dia: 9"

#### SWITCH:

On/Off Micro Rocker Switch

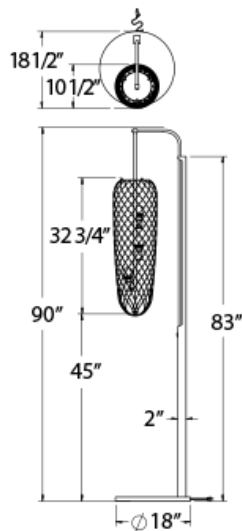
#### LAMPING:

(1)  GU24 Base Socket, for LED A Style Bulb or Self-Ballasted CFL





# MODEL 5456



#### DIMENSIONS:

H: 90" D: 18 1/2" W: 18"

#### FINISH SHOWN:

**ANTB** Antique Brass

Grey Wood

#### SHADE MATERIAL SHOWN:

Woven Rattan Band


#### SHADE SIZE:

H: 32 3/4" Dia: 10 1/2"

#### SWITCH:

On/Off Micro Rocker Switch

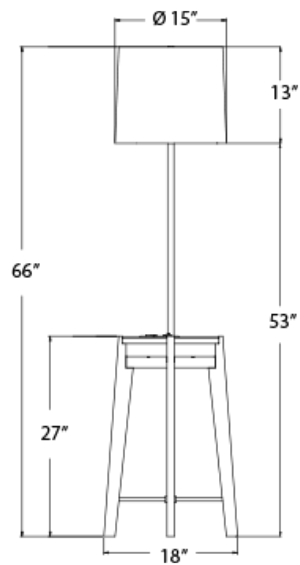
#### LAMPING:

(3)  **Medium** Base Socket, for LED A Style Bulb or Self-Ballasted CFL





# MODEL 5462



#### DIMENSIONS:

H: 66" Dia: 18"

#### FINISH SHOWN:

**BCH** Brushed Chrome

#### SHADE MATERIAL SHOWN:

Hardback CD Ivory

#### SHADE SIZE:

H: 13" Dia: 15"

#### SWITCH:


On/Off Rocker Switch

#### ADDITIONAL FEATURES:

1 Convenience Outlet

1 USB Port

#### LAMPING:

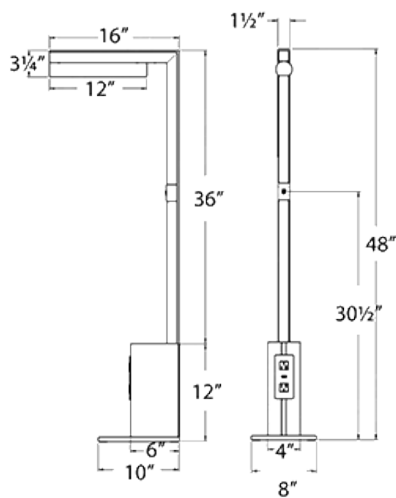
(2)  **Medium** Base Socket, for LED A Style

Bulb or Self-Ballasted CFL





# MODEL 5466



#### DIMENSIONS:

H: 48 " D: 16 " W: 8 "

#### FINISH SHOWN:

Champagne Bronze


#### SHADE MATERIAL SHOWN:

Champagne Bronze

#### ADDITIONAL FEATURES:

- 1 USB Port
- 2 Convenience Outlets

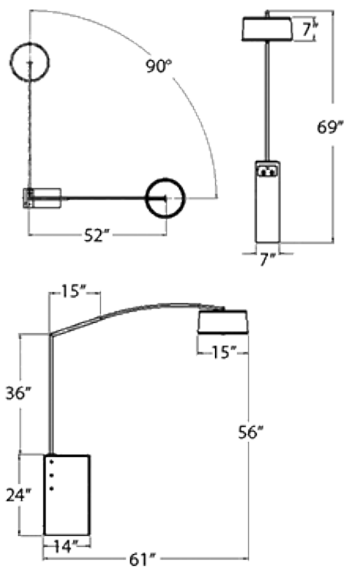
#### LAMPING:

(1)  6T5 6 Watt Mini Bi-Pin, T-5





# MODEL 5469



#### DIMENSIONS:

H: 69" D: 61" W: 15"

#### FINISH SHOWN:

**BN** Brushed Nickel

**WW** Walnut Wood

#### SHADE MATERIAL SHOWN:

CD Ivory Linen

#### SHADE SIZE:

H: 7" Dia: 15"

#### SWITCH:


On/Off Rocker Switch

#### ADDITIONAL FEATURES:

1 USB Port

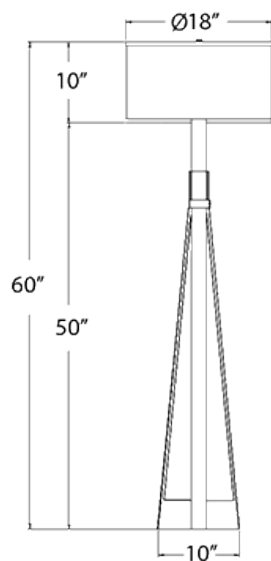
2 Convenience Outlets

#### LAMPING:

(2)  **GU24** Base Socket, for LED A Style Bulb or Self-Ballasted CFL







**DIMENSIONS:**

H: 60" Dia: 18 "

**FINISH SHOWN:**

**SOW** Stained Oak Wood

**SHADE MATERIAL SHOWN:**

Hardback CD Ivory


**SHADE SIZE:**

H: 10 " Dia: 18 "

**SWITCH:**

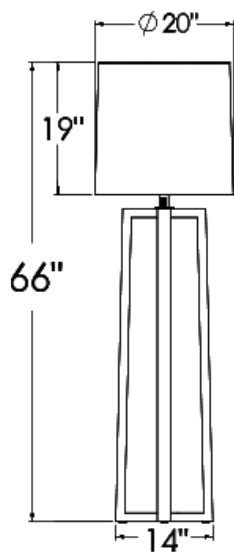
On/Off Switch at Socket

**LAMPING:**

(1)  **Medium** Base Socket, for LED A Style Bulb or Self-Ballasted CFL



# MODEL 5473



#### DIMENSIONS:

H: 66" D: 14" W: 14"

#### FINISH SHOWN:

**SBZ** Satin Bronze

Oak Wood

#### SHADE MATERIAL SHOWN:

White Burlap Linen


#### SHADE SIZE:

H: 19" Dia: 20"

#### SWITCH:

On/Off Rocker Switch

#### LAMPING:

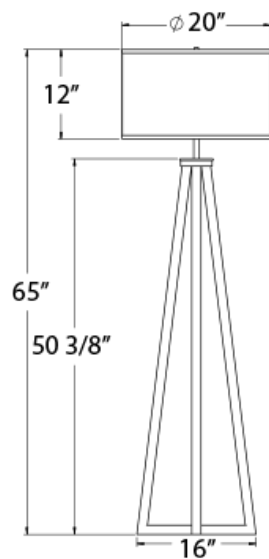
(1)  **Medium** Base Socket, for LED A Style

Bulb or Self-Ballasted CFL





# MODEL 5478



#### DIMENSIONS:

H: 65" Dia: 20"

#### FINISH SHOWN:

**SN** Satin Nickel

**WW** Walnut Wood

#### SHADE MATERIAL SHOWN:

Canvas White Linen


#### SHADE SIZE:

H: 12" Dia: 20"

#### SWITCH:

Rotary Dimmer Switch at Socket

#### LAMPING:

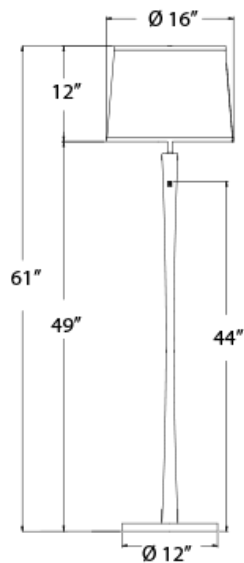
(1)  **Medium** Base Socket, for LED A Style

Bulb or Self-Ballasted CFL





# MODEL 5485



#### DIMENSIONS:

H: 61" Dia: 16"

#### FINISH SHOWN:

**PN** Polished Nickel

#### SHADE MATERIAL SHOWN:

White Canvas Linen


#### SHADE SIZE:

H: 12" Dia: 16"

#### SWITCH:

On/Off Rocker Switch at Column

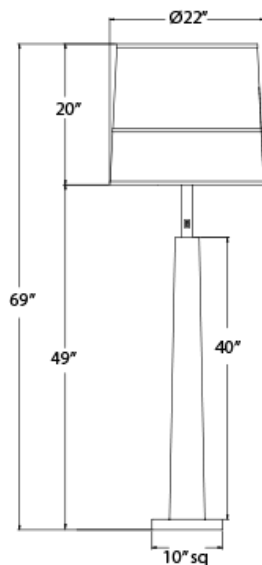
#### LAMPING:

(1)  **Medium** Base Socket, for LED A Style Bulb or Self-Ballasted CFL





# MODEL 5489



#### DIMENSIONS:

H: 69" Dia: 22"

#### FINISH SHOWN:

**PC** Polished Chrome

Ebonized Wood

#### SHADE MATERIAL SHOWN:

White Linen Beige Linen


#### SHADE SIZE:

H: 20" Dia: 22"

#### SWITCH:

On/Off Rocker Switch at Column

#### LAMPING:

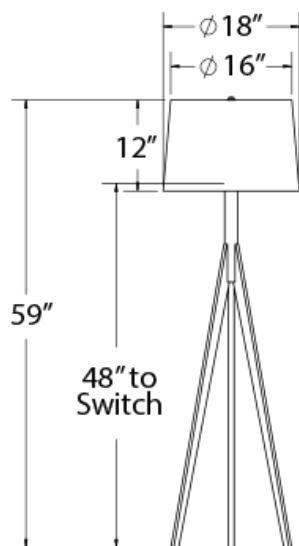
(1)  **Medium** Base Socket, for LED A Style

Bulb or Self-Ballasted CFL





# MODEL 5491-M1



#### DIMENSIONS:

H: 59" Dia: 18"

#### FINISH SHOWN:

Solid Oak Wood

AGB Aged Brass

#### SHADE MATERIAL SHOWN:

Canvas White Linen with an Opal Matte Acrylic Top  
Diffuser


#### SHADE SIZE:

H: 12" Dia: 18"

#### SWITCH:

On/Off Rocker Switch at Column

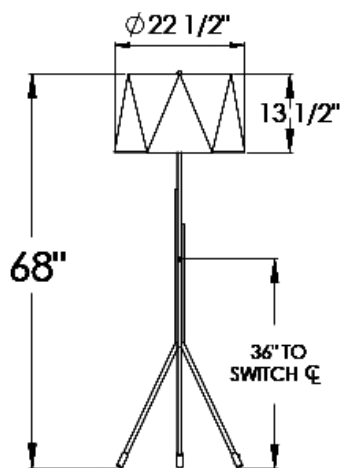
#### LAMPING:

(1)  **Medium** Base Socket, for LED A Style  
Bulb or Self-Ballasted CFL





# MODEL 5494



#### DIMENSIONS:

H: 68" Dia: 22 1/2"

#### FINISH SHOWN:

**PDMB** Powder Coated Matte Black

**BS** Brushed Stainless Steel

#### SHADE MATERIAL SHOWN:


with an Opal Matte Acrylic Top and Bottom Diffuser

Laura White Linen

#### SWITCH:

On/Off Micro Rocker Switch

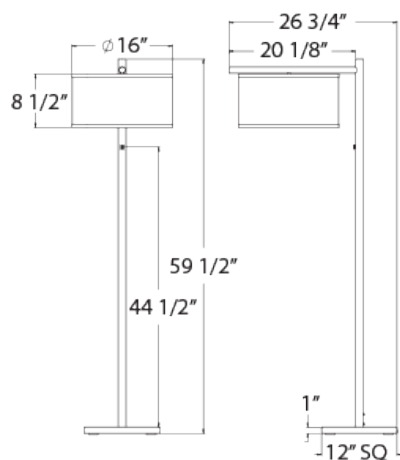
#### LAMPING:

(2)  **Medium** Base Socket, for LED A Style Bulb or Self-Ballasted CFL





# MODEL 5508



#### DIMENSIONS:

H: 59 1/2" Dia: 16"

#### FINISH SHOWN:

SN Satin Nickel

#### SHADE MATERIAL SHOWN:

CD Ivory Linen with an Opal Matte Acrylic Bottom Diffuser


#### SHADE SIZE:

H: 8 1/2" Dia: 16"

#### SWITCH:

On/Off Micro Rocker Switch at Column

#### LAMPING:

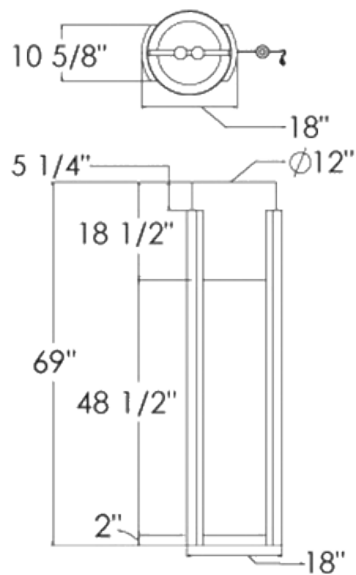
(2)  **Medium** Base Socket, for LED A Style Bulb or Self-Ballasted CFL







# MODEL 5515



#### DIMENSIONS:

H: 69" Dia: 18"

#### FINISH SHOWN:

**PDMB** Powder Coated Matte Black

#### SHADE MATERIAL SHOWN:

Opal Matte Acrylic


#### SHADE SIZE:

H: 18 1/2" Dia: 16"

#### SWITCH:

On/Off Foot Switch 8" from Base

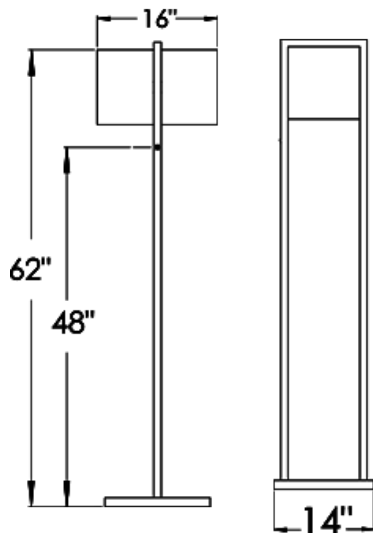
#### LAMPING:

(2)  **Medium** Base Socket, for LED A Style Bulb or Self-Ballasted CFL





# MODEL 5518-M1



#### DIMENSIONS:

H: 62" D: 14" W: 16"

#### FINISH SHOWN:

**DBZ** Dark Bronze

#### SHADE MATERIAL SHOWN:

Hardback Canvas White Linen


#### SHADE SIZE:

H: 10" D: 10" W: 16"

#### SWITCH:

On/Off Micro Rocker Switch

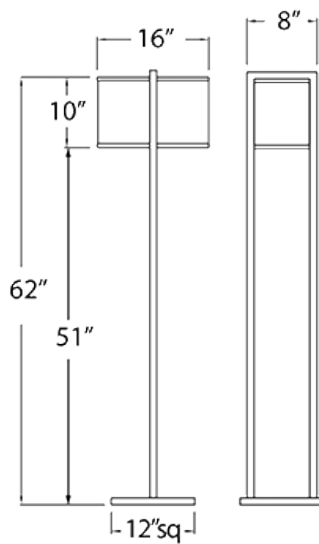
#### LAMPING:

(2)  **Medium** Base Socket, for LED A Style Bulb or Self-Ballasted CFL





# MODEL 5518



#### DIMENSIONS:

H: 62" D: 12" W: 16"

#### FINISH SHOWN:

**SN** Satin Nickel

#### SHADE MATERIAL SHOWN:

CD Ivory Linen


#### SHADE SIZE:

H: 10" D: 8" W: 16"

#### SWITCH:

On/Off Switch at Socket

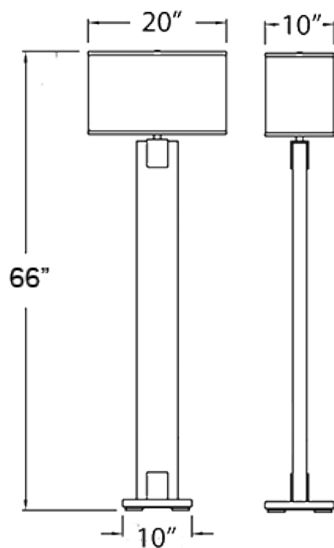
#### LAMPING:

(2)  **Medium** Base Socket, for LED A Style Bulb or Self-Ballasted CFL





# MODEL 5524



#### DIMENSIONS:

H: 66" D: 10" W: 20"

#### FINISH SHOWN:

**PC** Polished Chrome

Matte Black

#### SHADE MATERIAL SHOWN:

CD Ivory Linen


#### SHADE SIZE:

H: 12" D: 10" W: 20"

#### SWITCH:

On/Off Rocker Switch

#### LAMPING:

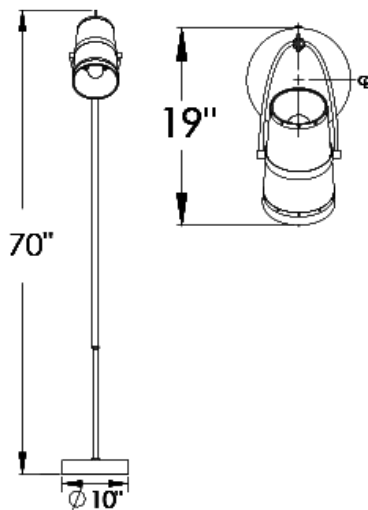
(2)  **Medium** Base Socket, for LED A Style

Bulb or Self-Ballasted CFL





# MODEL 5583



#### DIMENSIONS:

H: 70" Dia: 10"

#### FINISH SHOWN:

Matte Black

SN Satin Nickel

#### SHADE MATERIAL SHOWN:

Hardback Canvas White Linen


#### SHADE SIZE:

H: 12" Dia: 7"

#### SWITCH:

On/Off In-Line Foot Switch

#### LAMPING:

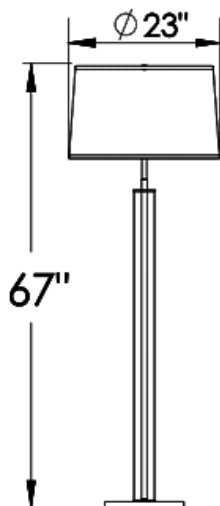
(2)  **Medium** Base Socket, for LED A Style

Bulb or Self-Ballasted CFL





# MODEL 5584-M1



**DIMENSIONS:**

H: 67" Dia: 23"

**FINISH SHOWN:**

SN Satin Nickel

**SHADE MATERIAL SHOWN:**

Hardback CD Ivory


**SHADE SIZE:**

H: 14" Dia: 23"

**SWITCH:**

On/Off Rocker Switch

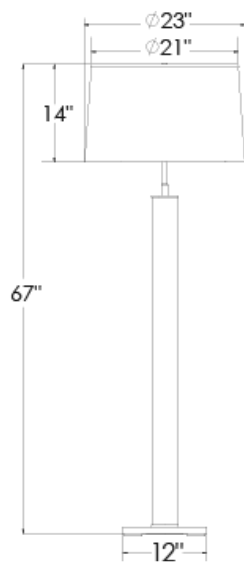
**LAMPING:**

(2)  **Medium** Base Socket, for LED A Style Bulb or Self-Ballasted CFL





# MODEL 5584



#### DIMENSIONS:

H: 67" Dia: 23"

#### FINISH SHOWN:

**ANTB** Antique Brass

**CG** Clear Glass

#### SHADE MATERIAL SHOWN:

Hardback Anna Cream Linen


#### SHADE SIZE:

H: 14" Dia: 23"

#### SWITCH:

On/Off Rocker Switch Below Socket

#### LAMPING:

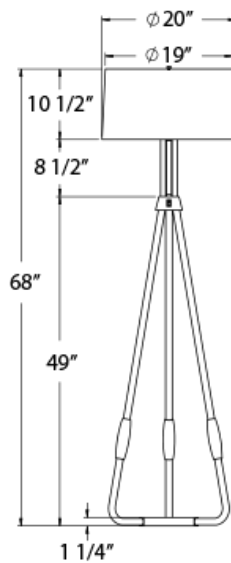
(2)  **Medium** Base Socket, for LED A Style

Bulb or Self-Ballasted CFL





# MODEL 5601



#### DIMENSIONS:

H: 68" Dia: 20"

#### FINISH SHOWN:

**ANTB** Antique Brass

**WW** Walnut Wood

#### SHADE MATERIAL SHOWN:

CD Ivory Linen with an Opal Matte Acrylic Top  
Diffuser


#### SHADE SIZE:

H: 10 1/2 " Dia: 20"

#### SWITCH:

On/Off Rocker Switch

#### LAMPING:

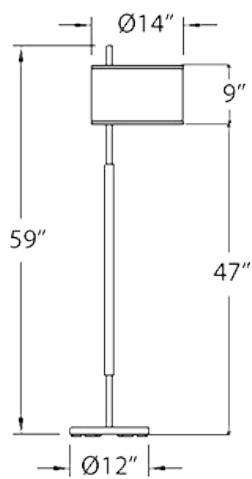
(1)  **Medium** Base Socket, for LED A Style  
Bulb or Self-Ballasted CFL







## MODEL 5604



#### DIMENSIONS:

H: 59" Dia: 14"

#### FINISH SHOWN:

**BS** Brushed Stainless Steel  
Leather Wrap

#### ALSO AVAILABLE IN:

**BN** Brushed Nickel

#### SHADE MATERIAL SHOWN:

CD Ivory with an Opal Matte Acrylic Top Diffuser


#### SHADE SIZE:

H: 9" Dia: 14"

#### SWITCH:

On/Off Micro Rocker Switch

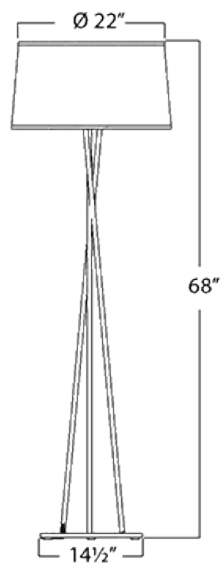
#### LAMPING:

(1)  **Medium** Base Socket, for LED A Style Bulb or Self-Ballasted CFL





# MODEL 5605



#### DIMENSIONS:

H: 68" Dia: 22"

#### FINISH SHOWN:

**PDA** Powder Coated Aluminum

#### SHADE MATERIAL SHOWN:

CD Ivory Linen


#### SHADE SIZE:

H: 12" Dia: 22"

#### SWITCH:

On/Off Switch at Socket

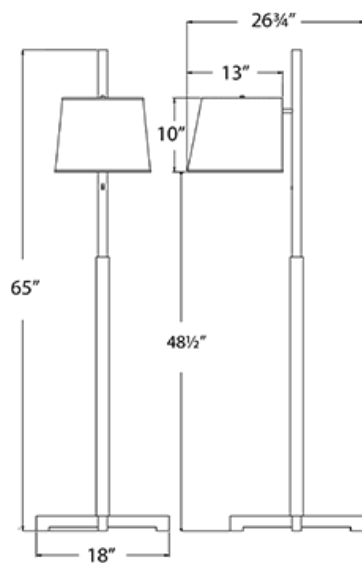
#### LAMPING:

(1)  **Medium** Base Socket, for LED A Style Bulb or Self-Ballasted CFL





# MODEL 5608



#### DIMENSIONS:

H: 65 " D: 26 3/4 " W: 18 "

#### FINISH SHOWN:

**SN** Satin Nickel

**WW** Walnut Wood

#### SHADE MATERIAL SHOWN:

Burlap Linen


#### SHADE SIZE:

H: 10 " Dia: 13"

#### SWITCH:

On/Off Rocker Switch at Column

#### LAMPING:

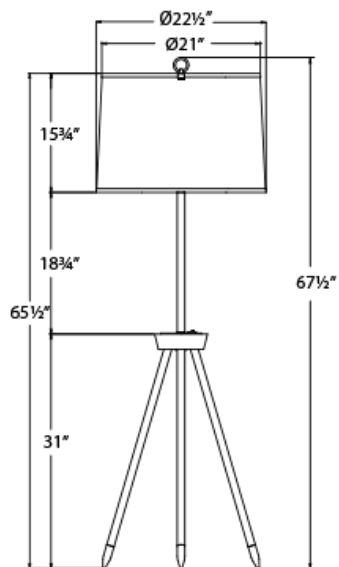
**(1)**  **Medium** Base Socket, for LED A Style

Bulb or Self-Ballasted CFL





# MODEL 5614



#### DIMENSIONS:

H: 65 1/2 " Dia: 22 1/2 "

#### FINISH SHOWN:

**SN** Satin Nickel

**EW** Ebonized Wood

#### SHADE MATERIAL SHOWN:

Canvas White Linen


#### SHADE SIZE:

H: 15 3/4 " Dia: 22 1/2 "

#### SWITCH:

On/Off Rocker Switch

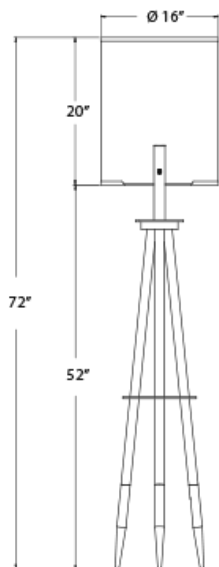
#### LAMPING:

(1)  **Medium** Base Socket, for LED A Style Bulb or Self-Ballasted CFL





## MODEL 5615-M2



#### DIMENSIONS:

H: 66" Dia: 16"

#### FINISH SHOWN:

**BS** Brushed Stainless Steel

#### SHADE MATERIAL SHOWN:

Hardback Brussels White Linen


#### SHADE SIZE:

H: 20" Dia: 16"

#### SWITCH:

On/Off Rocker Switch

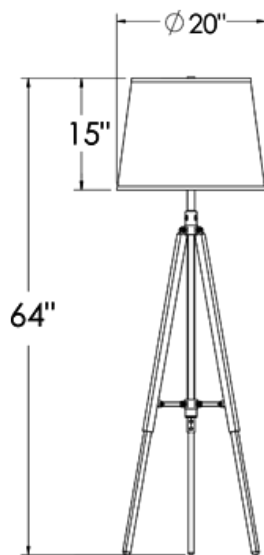
#### LAMPING:

(2)  **Medium** Base Socket, for LED A Style Bulb or Self-Ballasted CFL





# MODEL 5619-M1



**DIMENSIONS:**

H: 64" Dia: 20"

**FINISH SHOWN:**

**BB** Brushed Brass

Matte Black

**ALSO AVAILABLE IN:**

**PC** Polished Chrome

Matte Black

**SHADE MATERIAL SHOWN:**

Cream Linen


**SHADE SIZE:**

H: 15" Dia: 20"

**SWITCH:**

On/Off Micro Rocker Switch

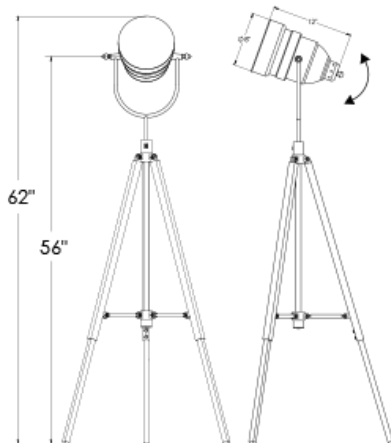
**LAMPING:**

(2)  **Medium** Base Socket, for LED A Style Bulb or Self-Ballasted CFL





# MODEL 5619



**DIMENSIONS:**

H: 62" Dia: 8"

**FINISH SHOWN:**

**BN** Brushed Nickel

**SHADE MATERIAL SHOWN:**

Frosted Acrylic


**SHADE SIZE:**

H: 12" Dia: 8"

**SWITCH:**

On/Off Rocker Switch

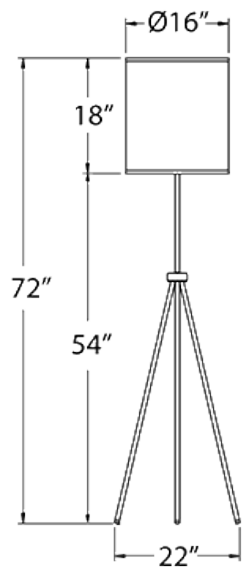
**LAMPING:**

**(1)**  **Medium** Base Socket, for LED A Style Bulb or Self-Ballasted CFL





# MODEL 5620



#### DIMENSIONS:

H: 72 1/2 " D: 22" W: 22"

#### FINISH SHOWN:

**BCH** Brushed Chrome


#### SHADE MATERIAL SHOWN:

CD Ivory Linen

#### SHADE SIZE:

H: 18" Dia: 16"

#### LAMPING:

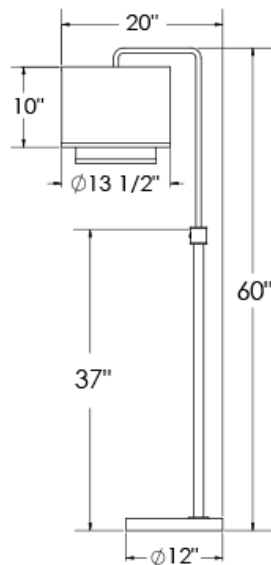
(1)  **Medium** Base Socket, for LED A Style Bulb or Self-Ballasted CFL







# MODEL 5625



#### DIMENSIONS:

H: 60 " D: 20 " W: 12"

#### FINISH SHOWN:

**BN** Brushed Nickel

**DW** Dark Walnut

#### SHADE MATERIAL SHOWN:

CD Ivory Linen White Organza


#### SHADE SIZE:

H: 10 " Dia: 13 1/2 "

#### SWITCH:

On/Off Micro Rocker Switch

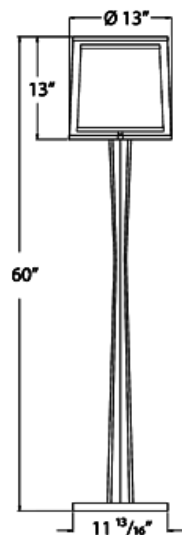
#### LAMPING:

(1)  **Medium** Base Socket, for LED A Style Bulb or Self-Ballasted CFL





## MODEL 5628



#### DIMENSIONS:

H: 59 3/4" Dia: 13"

#### FINISH SHOWN:

**ORBZ** Oil Rubbed Bronze

#### SHADE MATERIAL SHOWN:

Natural Woven Wood CD Ivory Linen


#### SHADE SIZE:

H: 13" Dia: 13"

#### SWITCH:

3-Way On/Off Turn Knob at Socket

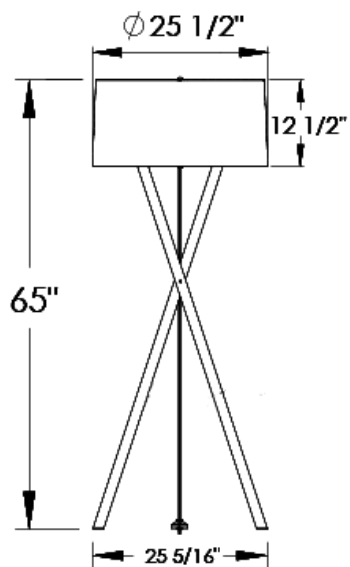
#### LAMPING:

(1)  **Medium** Base Socket, for LED A Style Bulb or Self-Ballasted CFL





# MODEL 5645



#### DIMENSIONS:

H: 65" D: 25 1/2" W: 25 5/16"

#### FINISH SHOWN:

Black Pigmented Oak

#### SHADE MATERIAL SHOWN:

Linda Cream Linen with an Opal Matte Acrylic Top and Bottom Diffuser


#### SHADE SIZE:

H: 12 1/2" Dia: 25 1/2"

#### SWITCH:

On/Off Foot Switch 8" from Base

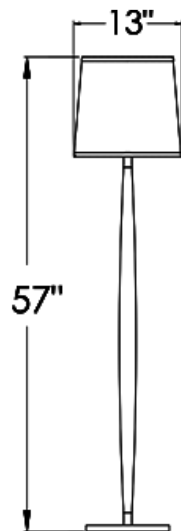
#### LAMPING:

(3)  **Medium** Base Socket, for LED A Style Bulb or Self-Ballasted CFL





# MODEL 5664



#### DIMENSIONS:

H: 57" Dia: 13"

#### FINISH SHOWN:

**PC** Polished Chrome

Wood Column Havana Walnut Finish

#### SHADE MATERIAL SHOWN:

Hardback CD Ivory


#### SHADE SIZE:

H: 12" D: 13" W: 13"

#### SWITCH:

On/Off Turn Knob at Socket

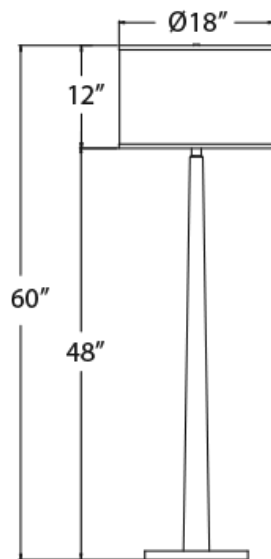
#### LAMPING:

(1)  **Medium** Base Socket, for LED A Style Bulb or Self-Ballasted CFL





# MODEL 5668



**DIMENSIONS:**

H: 60" Dia: 18"

**FINISH SHOWN:**

**ABZ** Antique Bronze


**SHADE MATERIAL SHOWN:**

Off White Linen

**SHADE SIZE:**

H: 12" Dia: 18"

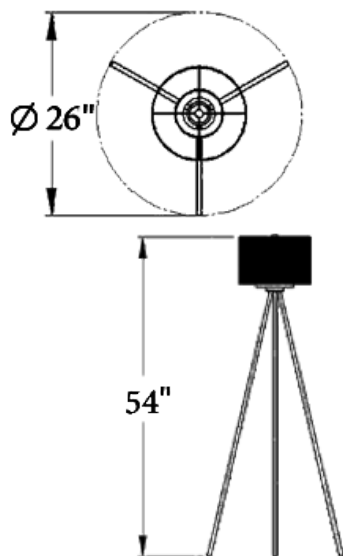
**LAMPING:**

(1)  **Medium** Base Socket, for LED A Style Bulb or Self-Ballasted CFL





# MODEL 5678



#### DIMENSIONS:

H: 54" Dia: 26"

#### FINISH SHOWN:

**BAA BLACK ANODIZES ALUMINUM**

#### SHADE MATERIAL SHOWN:

Beige Linen


#### SHADE SIZE:

H: 8" Dia: 12"

#### SWITCH:

On/Off Rocker Switch

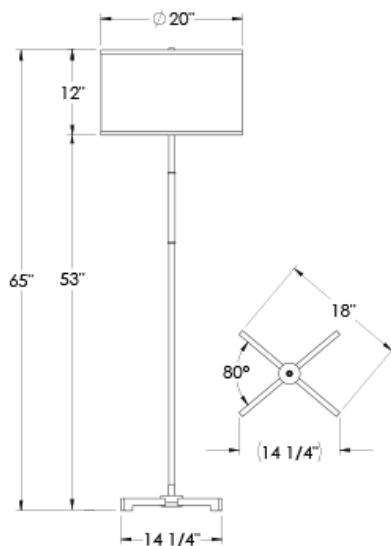
#### LAMPING:

(1)  **Medium** Base Socket, for LED A Style Bulb or Self-Ballasted CFL





# MODEL 5684



#### DIMENSIONS:

H: 65 " Dia: 20 "

#### FINISH SHOWN:

**PN** Polished Nickel

#### SHADE MATERIAL SHOWN:

CD Ivory Linen


#### SHADE SIZE:

H: 12" Dia: 20"

#### SWITCH:

3-Way Rocker Switch

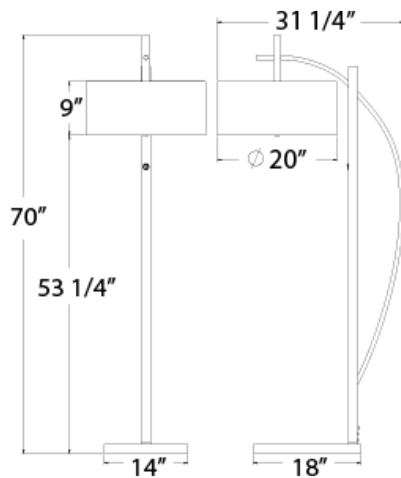
#### LAMPING:

(2)  **GU24** Base Socket, for LED A Style Bulb or Self-Ballasted CFL





# MODEL 5687



#### DIMENSIONS:

H: 70" D: 31 1/4" W: 14"

#### FINISH SHOWN:

**DW** Dark Walnut

Antique Nickel

#### SHADE MATERIAL SHOWN:

Shantung White


#### SHADE SIZE:

H: 9" Dia: 20"

#### SWITCH:

On/Off Rocker Switch at Column

#### LAMPING:

(2)  **Medium** Base Socket, for LED A Style

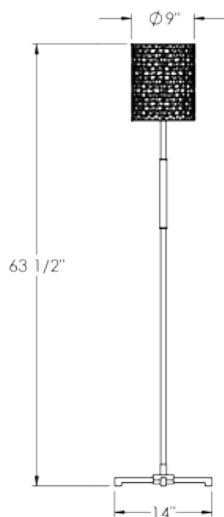
Bulb or Self-Ballasted CFL







# MODEL 5688



#### DIMENSIONS:

H: 63 1/2" D: " W: 14"

#### FINISH SHOWN:

**PN** Polished Nickel


#### SHADE MATERIAL SHOWN:

Opal Matte Acrylic

#### SWITCH:

On/Off Switch at Socket

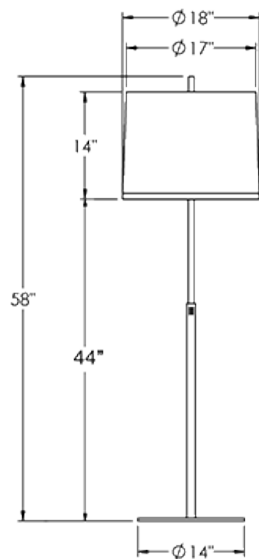
#### LAMPING:

(1)  **Medium** Base Socket, for LED A Style Bulb or Self-Ballasted CFL





# MODEL 5710



#### DIMENSIONS:

H: 58" Dia: 18"

#### FINISH SHOWN:

PC Polished Chrome

#### SHADE MATERIAL SHOWN:

Sandstone White Linen


#### SHADE SIZE:

H: 14" Dia: 18"

#### SWITCH:

On/Off Rocker Switch at Column

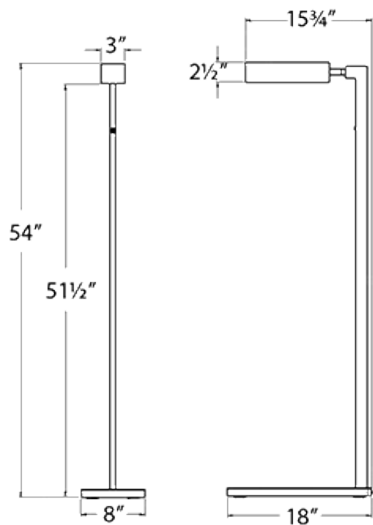
#### LAMPING:

(2)  **Medium** Base Socket, for LED A Style Bulb or Self-Ballasted CFL





# MODEL 5720



#### DIMENSIONS:

H: 54" D: 18" W: 8"


#### FINISH SHOWN:

**BZ** Bronze

#### SWITCH:

On/Off Rocker Switch

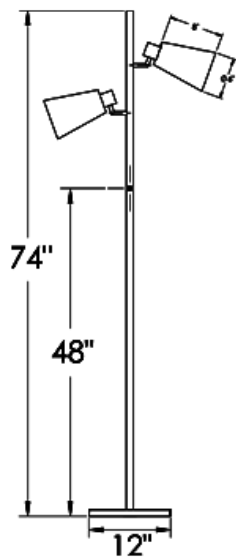
#### LAMPING:

(1)  **GU24** Base Socket, for LED A Style Bulb  
or Self-Ballasted CFL





## MODEL 5767



**DIMENSIONS:**

H: 74" D: 12" W: 12"

**FINISH SHOWN:**

Powder Coated Flat Black

**SHADE MATERIAL SHOWN:**

Hardback Shantung White


**SHADE SIZE:**

H: 8" Dia: 6"

**SWITCH:**

On/Off Micro Rocker Switch

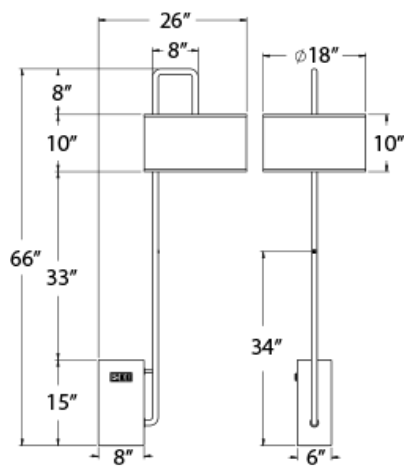
**LAMPING:**

(2)  GU24 Base Socket, for LED A Style Bulb  
or Self-Ballasted CFL





# MODEL 5791



#### DIMENSIONS:

H: 66" D: 18" W: 26"

#### FINISH SHOWN:

**PDMB** Powder Coated Matte Black  
White Marble

#### SHADE MATERIAL SHOWN:

Shantung White with Black Trim

#### SHADE SIZE:

H: 10" Dia: 18"

#### SWITCH:


On/Off Micro Rocker Switch

#### ADDITIONAL FEATURES:

2 USB Ports

1 Convenience Outlet

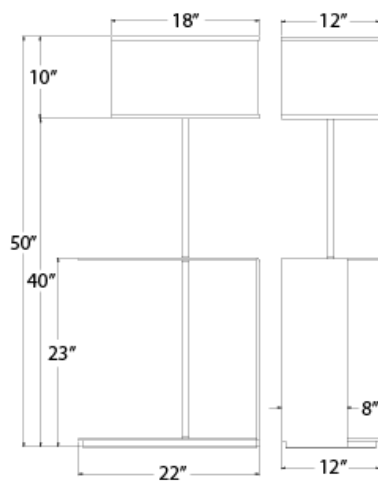
#### LAMPING:

(1)  **Medium** Base Socket, for LED A Style  
Bulb or Self-Ballasted CFL





# MODEL 5795



#### DIMENSIONS:

H: 50 " D: 12 " W: 22"

#### FINISH SHOWN:

**PDMB** Powder Coated Matte Black

#### SHADE MATERIAL SHOWN:

Canvas White Linen


#### SHADE SIZE:

H: 10 " D: 12 " W: 18 "

#### SWITCH:

Rotary Dimmer Switch at Socket

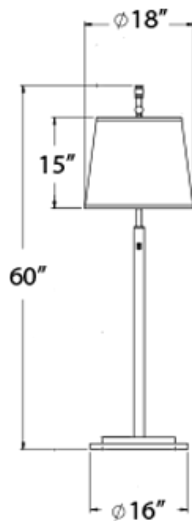
#### LAMPING:

(1)  **Medium** Base Socket, for LED A Style Bulb or Self-Ballasted CFL





## MODEL 5796



#### DIMENSIONS:

H: 60" Dia: 16"

#### FINISH SHOWN:

**AP** Antique Pewter

**BN** Brushed Nickel

#### SHADE MATERIAL SHOWN:

Linda Cream Linen with an Opal Matte Acrylic Bottom  
Diffuser


#### SHADE SIZE:

H: 15" Dia: 18"

#### SWITCH:

On/Off Rocker Switch

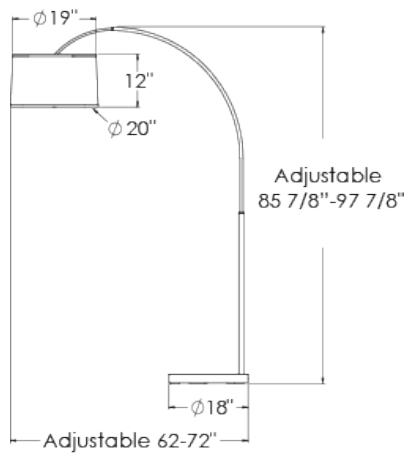
#### LAMPING:

(1)  **Medium** Base Socket, for LED A Style  
Bulb or Self-Ballasted CFL





# MODEL 5842



#### DIMENSIONS:

H: 85 7/8" Adjustable to 97 7/8" D: 62" Adjustable to 72" W: 18 "

#### FINISH SHOWN:

**BZ** Bronze


#### SHADE MATERIAL SHOWN:

Canvas White Linen

#### SHADE SIZE:

H: 12 " Dia: 20 "

#### LAMPING:

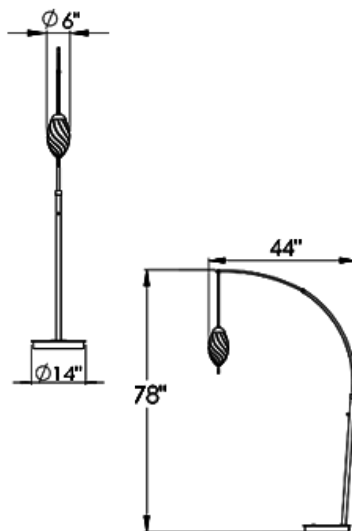
(2)  **Medium** Base Socket, for LED A Style Bulb or Self-Ballasted CFL







# MODEL 5844



#### DIMENSIONS:

H: 78" D: 44" W: 14"

#### FINISH SHOWN:

Polished Stainless Steel

#### SHADE MATERIAL SHOWN:

Opal Matte Glass


#### SHADE SIZE:

H: 12" Dia: 6"

#### SWITCH:

Rotary Dimmer at Socket

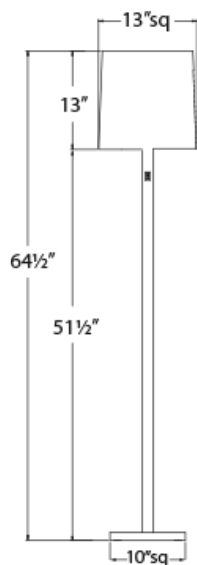
#### LAMPING:

(1)  **Medium** Base Socket, for LED A Style Bulb or Self-Ballasted CFL





# MODEL 5845



#### DIMENSIONS:

H: 64 1/2 " D: 13 " W: 13"

#### FINISH SHOWN:

**BS** Brushed Stainless Steel


#### SHADE MATERIAL SHOWN:

Canvas White Linen

#### SHADE SIZE:

H: 13 " D: 13" W: 13"

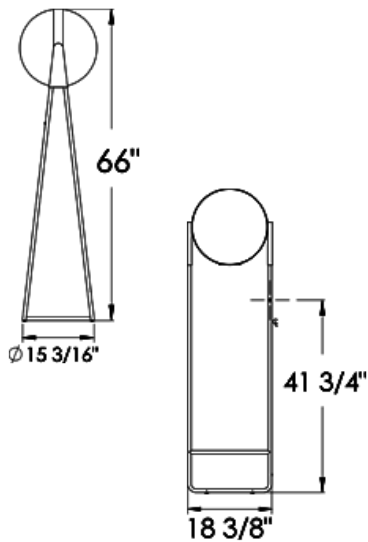
#### LAMPING:

(1)  **GU24** Base Socket, for LED A Style Bulb  
or Self-Ballasted CFL





# MODEL 5847-M1



#### DIMENSIONS:

H: 66" D: 15 3/16" W: 18 3/8"

#### FINISH SHOWN:

Powder Coated Flat Black


#### SHADE MATERIAL SHOWN:

Opal Matte Acrylic Diffuser

#### SWITCH:

On/Off Micro Rocker Switch

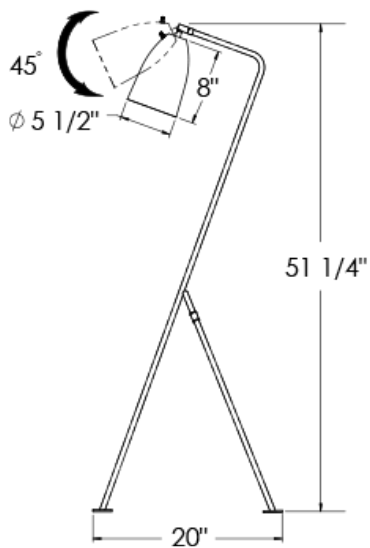
#### LAMPING:

(2)  GU24 Base Socket, for LED A Style Bulb or Self-Ballasted CFL





# MODEL 5851



**DIMENSIONS:**

H: 51 1/4" D: 20" W: 20"

**FINISH SHOWN:**

**SB** Satin Brass

**PDMB** Powder Coated Matte Black


**SHADE SIZE:**

H: 8" Dia: 5 1/2"

**SWITCH:**

On/Off Rotary Switch

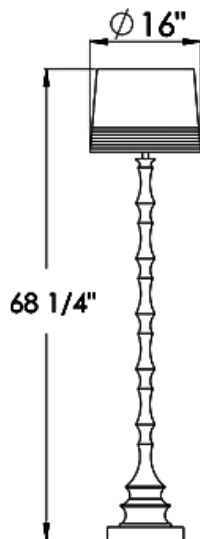
**LAMPING:**

(1)  **Medium** Base Socket, for LED A Style Bulb or Self-Ballasted CFL





# MODEL 5853



#### DIMENSIONS:

H: 68 1/4" Dia: 16"

#### FINISH SHOWN:

**BZ** Bronze

Sun Gold

#### SHADE MATERIAL SHOWN:

Hardback CD Ivory Chocolate Brown Bands


#### SHADE SIZE:

H: 12" Dia: 16"

#### SWITCH:

On/Off Rotary Switch

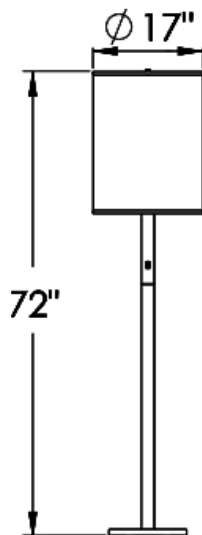
#### LAMPING:

(1)  **Medium** Base Socket, for LED A Style Bulb or Self-Ballasted CFL





# MODEL 5855



#### DIMENSIONS:

H: 72" Dia: 17"

#### FINISH SHOWN:

**BS** Brushed Stainless Steel

**WW** Walnut Wood

#### SHADE MATERIAL SHOWN:

Hardback Brussels White Linen


#### SHADE SIZE:

H: 22" Dia: 17"

#### SWITCH:

On/Off Rocker Switch

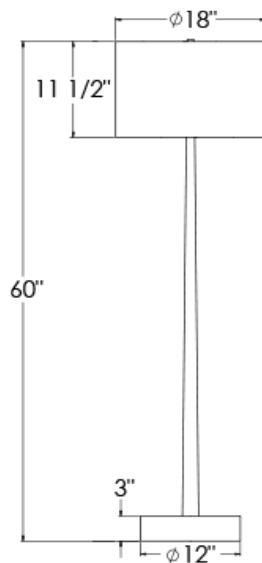
#### LAMPING:

(2)  **Medium** Base Socket, for LED A Style Bulb or Self-Ballasted CFL





# MODEL 5857



#### DIMENSIONS:

H: 60 " Dia: 18 "

#### FINISH SHOWN:

**BZ** Bronze

#### SHADE MATERIAL SHOWN:

Brussels White Linen


#### SHADE SIZE:

H: 11 1/2 " Dia: 18 "

#### SWITCH:

On/Off Micro Rocker Switch

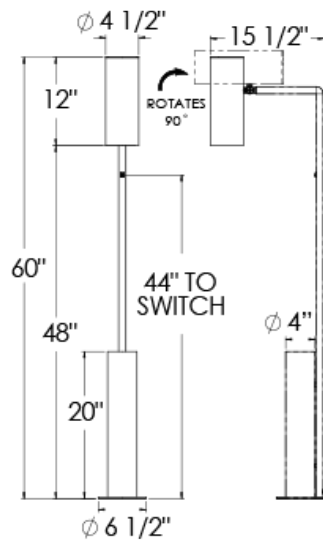
#### LAMPING:

(2)  **Medium** Base Socket, for LED A Style Bulb or Self-Ballasted CFL





# MODEL 5862-M1



#### DIMENSIONS:

H: 60" D: 15 1/2" W: 6 1/2"

#### FINISH SHOWN:

**ANTB** Antique Brass

White Marble

#### SHADE MATERIAL SHOWN:

**ANTB** Antique Brass


#### SHADE SIZE:

H: 12" Dia: 4 1/2"

#### SWITCH:

On/Off Micro Rocker Switch

#### LAMPING:

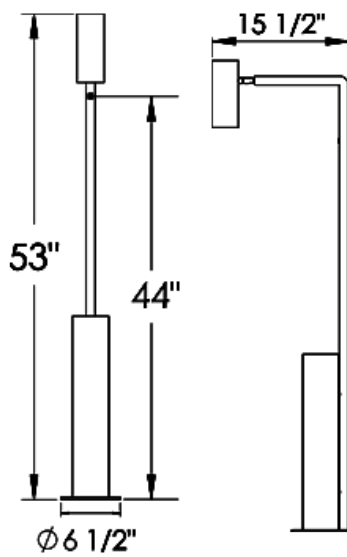
(2)  **Medium** Base Socket, for LED A Style Bulb or Self-Ballasted CFL







# MODEL 5862



#### DIMENSIONS:

H: 53" D: 15 1/2" W: 6 1/2"

#### FINISH SHOWN:

**ANTB** Antique Brass

White Marble


#### SHADE MATERIAL SHOWN:

**ANTB** Antique Brass

#### SWITCH:

On/Off Micro Rocker Switch

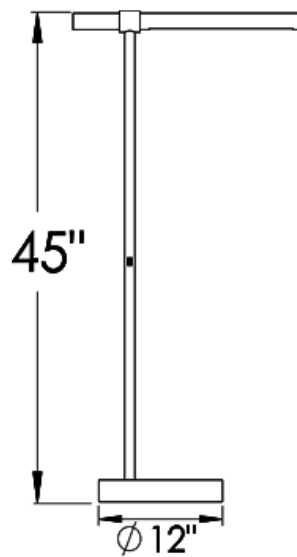
#### LAMPING:

(1)  **Medium** Base Socket, for LED A Style Bulb or Self-Ballasted CFL





# MODEL 5864



**DIMENSIONS:**

H: 45" D: 22" W: 12"

**FINISH SHOWN:**

**ANTB** Antique Brass

White Marble


**SHADE MATERIAL SHOWN:**

Faux Wood Medium Walnut

**SWITCH:**

On/Off Micro Rocker Switch

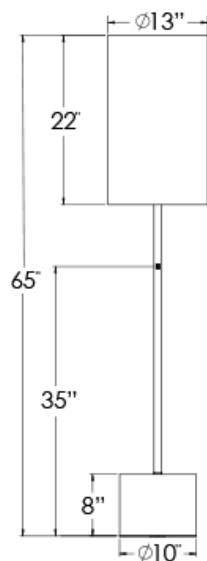
**LAMPING:**

 **L6-27K** 6 Watts, 2700K LED





# MODEL 5867



#### DIMENSIONS:

H: 65" Dia: 13"

#### FINISH SHOWN:

**PC** Polished Chrome

**MWW** Medium Walnut Wood

#### SHADE MATERIAL SHOWN:

Canvas White Linen


#### SHADE SIZE:

H: 22" Dia: 13"

#### SWITCH:

On/Off Micro Rocker Switch

#### LAMPING:

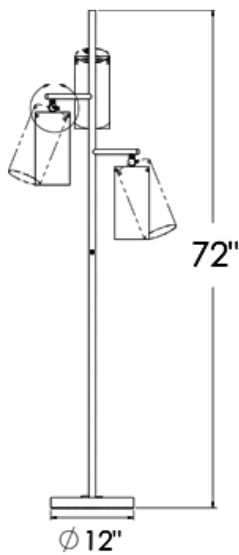
(1)  **Medium** Base Socket, for LED A Style

Bulb or Self-Ballasted CFL





# MODEL 5869



#### DIMENSIONS:

H: 72" Dia: 12"

#### FINISH SHOWN:

**PC Polished Chrome**

**Matte Black**

#### SHADE MATERIAL SHOWN:

Frosted Acrylic

#### SWITCH:


On/Off Micro Rocker Switch

#### ADDITIONAL FEATURES:

1 Convenience Outlet

1 USB Port

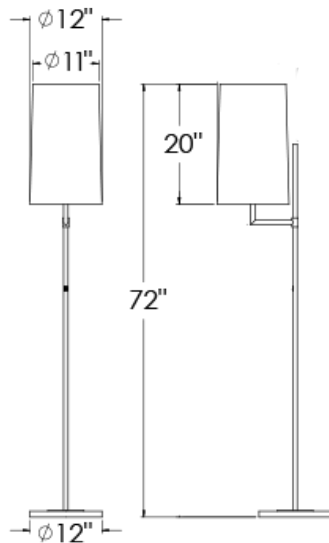
#### LAMPING:

(3)  **Medium** Base Socket, for LED A Style Bulb or Self-Ballasted CFL





# MODEL 5870



**DIMENSIONS:**

H: 72" Dia: 12"

**FINISH SHOWN:**

**SB** Satin Brass

**SHADE MATERIAL SHOWN:**

CD Ivory Linen with an Opal Matte Acrylic Top and Bottom Diffuser


**SHADE SIZE:**

H: 20" Dia: 12"

**SWITCH:**

On/Off Rocker Switch

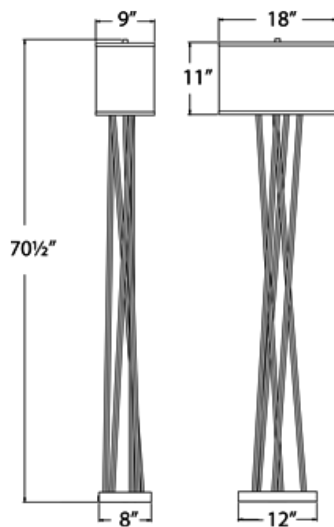
**LAMPING:**

(1)  **GU24** Base Socket, for LED A Style Bulb or Self-Ballasted CFL





# MODEL 5872



#### DIMENSIONS:

H: 70 1/2" D: 9" W: 18"

#### FINISH SHOWN:

SN Satin Nickel

#### SHADE MATERIAL SHOWN:

White Sandstone Linen


#### SHADE SIZE:

H: 11" D: 9" W: 18"

#### SWITCH:

On/Off Rocker Switch

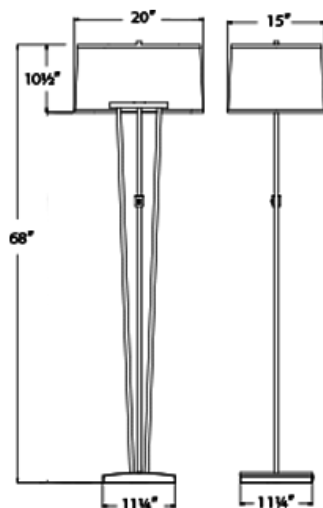
#### LAMPING:

(1)  GU24 Base Socket, for LED A Style Bulb or Self-Ballasted CFL





# MODEL 5875



**DIMENSIONS:**

H: 68" D: 15" W: 20"

**FINISH SHOWN:**

SN Satin Nickel

**SHADE MATERIAL SHOWN:**

White Sandstone Linen


**SHADE SIZE:**

H: 10 1/2" D: 15" W: 20"

**SWITCH:**

On/Off Rocker Switch

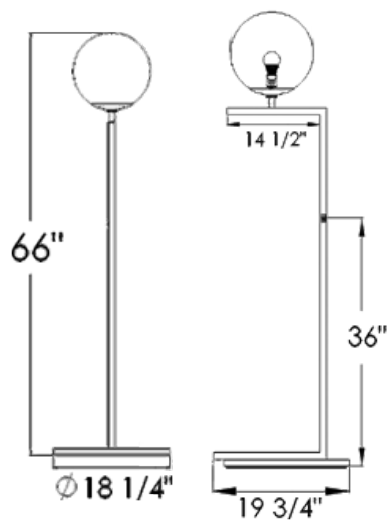
**LAMPING:**

(1)  **GU24** Base Socket, for LED A Style Bulb  
or Self-Ballasted CFL





# MODEL 5879



#### DIMENSIONS:

H: 66" Dia: 18 1/4"

#### FINISH SHOWN:

**PDMB** Powder Coated Matte Black


#### SHADE MATERIAL SHOWN:

Opal Matte Acrylic

#### SWITCH:

On/Off Rocker Switch

#### LAMPING:

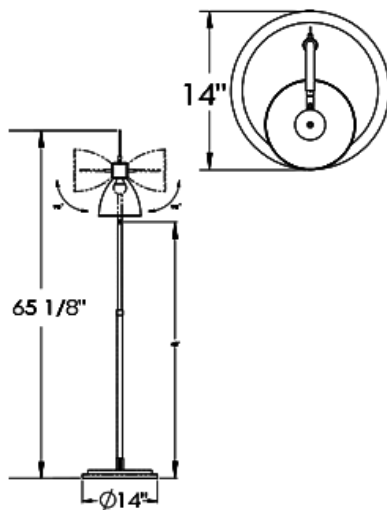
(1)  **Medium** Base Socket, for LED A Style Bulb or Self-Ballasted CFL







# MODEL 5880



#### DIMENSIONS:

H: 65 1/8" Dia: 14"


#### FINISH SHOWN:

Oil Bronze To Match Chemetal 721

#### SWITCH:

On/Off Rocker Switch

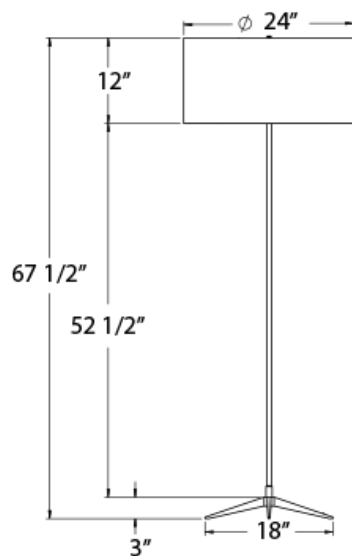
#### LAMPING:

(1)  **Medium** Base Socket, for LED A Style Bulb or Self-Ballasted CFL





# MODEL 5883



#### DIMENSIONS:

H: 67 1/2" Dia: 24"

#### FINISH SHOWN:

**ORBZ** Oil Rubbed Bronze

**BB** Brushed Brass

#### SHADE MATERIAL SHOWN:

Off White Shantung Linen


#### SHADE SIZE:

H: 12" Dia: 24"

#### SWITCH:

Rotary Dimmer at Socket

#### LAMPING:

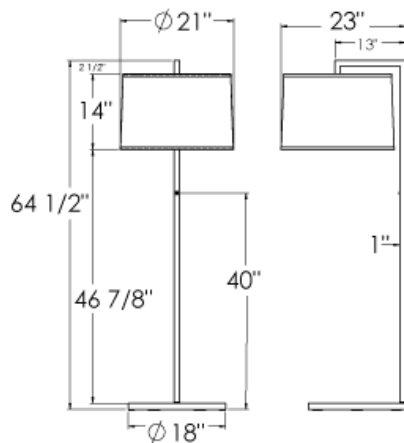
(1)  **Medium** Base Socket, for LED A Style

Bulb or Self-Ballasted CFL





# MODEL 5887-M1



#### DIMENSIONS:

H: 64 1/2" Dia: 21"

#### FINISH SHOWN:

**ABZ** Antique Bronze

#### SHADE MATERIAL SHOWN:

CD Ivory Linen


#### SHADE SIZE:

H: 14" Dia: 21"

#### SWITCH:

On/Off Micro Rocker Switch

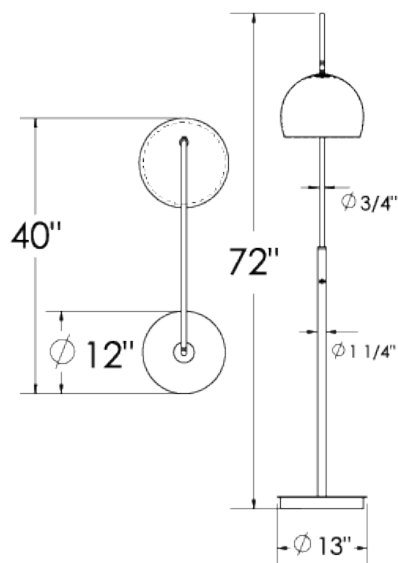
#### LAMPING:

(1)  **Medium** Base Socket, for LED A Style Bulb or Self-Ballasted CFL





# MODEL 5920



#### DIMENSIONS:

H: 72" D: 40" W: 13"

#### FINISH SHOWN:

**BN** Brushed Nickel

#### SHADE MATERIAL SHOWN:

**BN** Brushed Nickel

Powder Coated Bengal White


#### SHADE SIZE:

H: 9" Dia: 12"

#### SWITCH:

Full Range Dimmer

#### LAMPING:

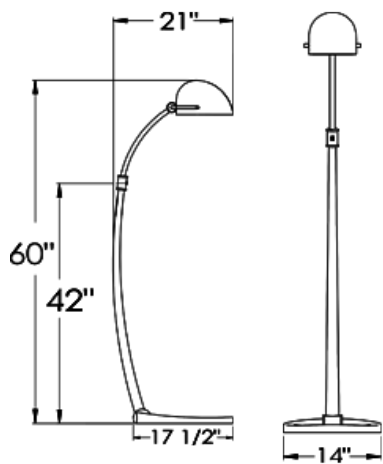
**(1)**  **Medium** Base Socket, for LED A Style

Bulb or Self-Ballasted CFL





# MODEL 5968



#### DIMENSIONS:

H: 60" D: 21" W: 14"

#### FINISH SHOWN:

Blackened Pewter


#### SHADE MATERIAL SHOWN:

Blackened Pewter

#### SWITCH:

On/Off Micro Rocker Switch

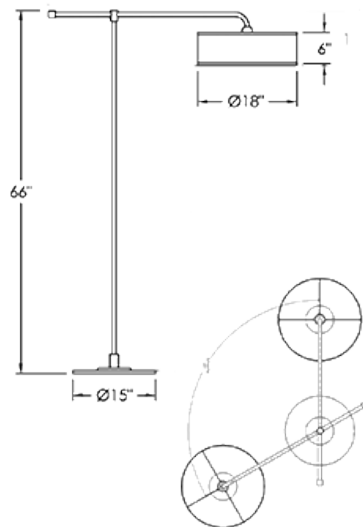
#### LAMPING:

(1)  **Medium** Base Socket, for LED A Style Bulb or Self-Ballasted CFL





# MODEL 5985



#### DIMENSIONS:

H: 66" D: 45" W: 18"

#### FINISH SHOWN:

**PC** Polished Chrome

#### ALSO AVAILABLE IN:

**SC** Satin Chrome

#### SHADE MATERIAL SHOWN:

CD Ivory Linen with an Opal Matte Acrylic Bottom Diffuser


#### SHADE SIZE:

H: 6" Dia: 18"

#### SWITCH:

Dimmer on Cord

#### LAMPING:

(2)  **Medium** Base Socket, for LED A Style Bulb or Self-Ballasted CFL

